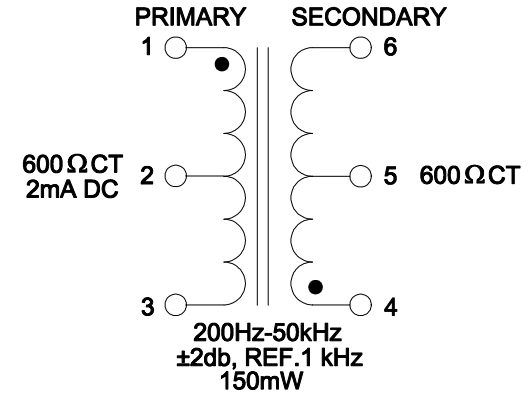
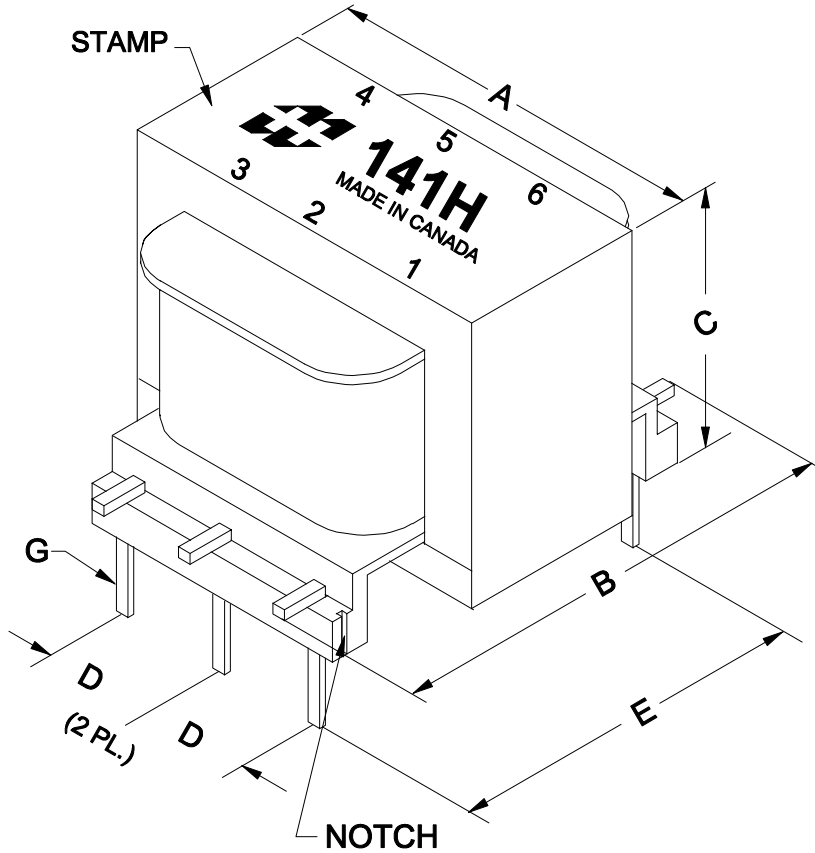


DIMENSIONS:	
A	0.780" ±0.031
B	0.960" ±0.031
C	0.460" ±0.031
D	0.200" ±0.016
E	0.600" ±0.016
G	0.025" ±0.005



ELECTRICAL DATA:		
TESTS	CONDITIONS	ACCEPTANCE CRITERIA
Iex	@ 9.5V, 200Hz, PIN 1 - PIN 3	15mA Max.
Sec. N.L.V	@ 9.5V, 200Hz, PIN 1 - PIN 3	
	PIN 1 - PIN 2 =	4.750V ±2%
	PIN 4 - PIN 5 = PIN 5 - PIN 6 =	4.750V ±2%
	PIN 4 - PIN 5 = PIN 5 - PIN 6 =	9.500V ±2%
DCR	@ 20°C, PIN 1 - PIN 3 =	32.00Ω ±20%
	@ 20°C, PIN 4 - PIN 6 =	42.00Ω ±20%
HIPOT	PRIMARY - SECONDARY	250V, 60Hz, 1 SEC

REV.#	REVISION	DATE	HAMMOND MANUFACTURING™		ELECTRONIC DIVISION	
0	RELEASED.	C.I. 11/10/15	52 RANKIN PLACE, WATERLOO, ONTARIO, N2J 3Z5		PH # (519) 886-6181 FAX # (519) 886-9540	
			DWG. BY: C. ILIE	CHK'D BY:	TITLE: AUDIO TRANSFORMER	DWG. NO. 141H
			DATE: 11/10/15	APP'D. BY:		
				DIMENSIONS: IN(X) MM()		