

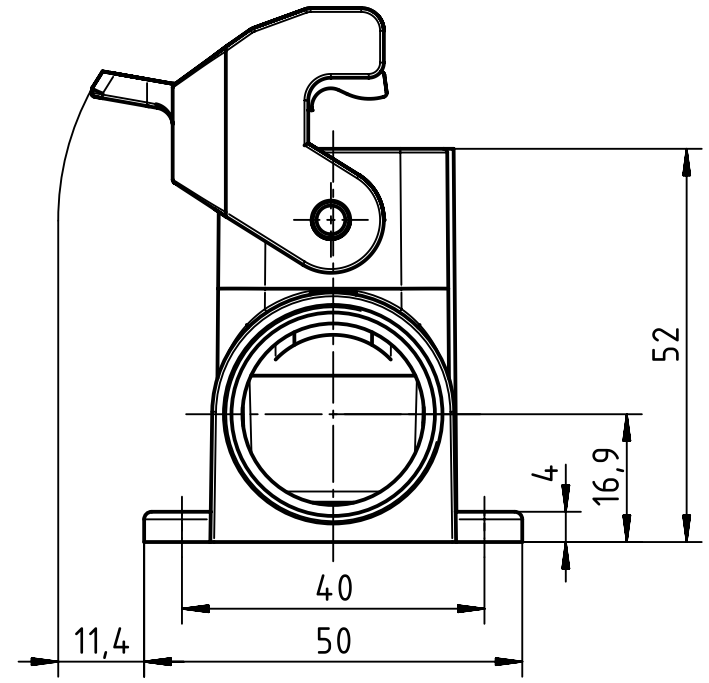
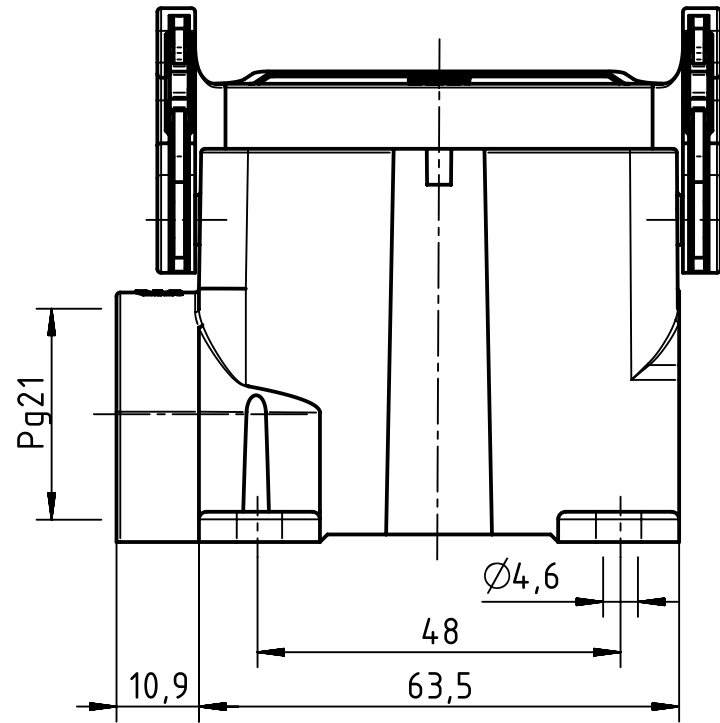
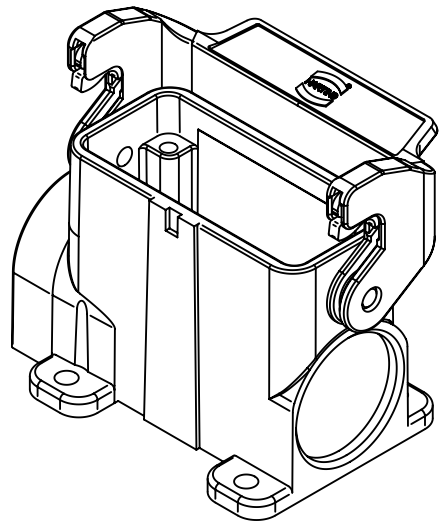
1 2 3 4 5 6


A

B

C

D



	All rights reserved Department EL PD - DE	All Dimensions in mm Original Size DIN A4		Scale 1:1	Free size tol.	Ref. Sub. TB 09 20 010 0252 v. 23.02.93			
		HARTING Electric GmbH & Co. KG D-32339 Espelkamp	Created by HOLLERT	Inspected by TIEMANNA	Standardisation SCHMIDTM	Date 2014-04-04	State Final Release	Doc-Key / ECM-Nr. 100189737/UGD/004/B 500000072617	
Title Han A Base Surface HC 1 Lever 1 Entry PG						Type TB	Number 09 20 010 0252	Rev. B	Page 1/1