

# Multi-contact Compact Circular Connectors

## RM Series



### ■ Features

#### 1. Wide variations

The RM Series provides a wide selection of plug and receptacle types to satisfy various kinds of application requirements.  
 Available position counts : 2, 3, 4, 5, 6, 7, 8, 10, 12, 15, and 20.  
 Available lock mechanisms : threaded coupling type, bayonet sleeve type, and quick detachable type.

### ■ Product Specifications

|         |               |  |                             |              |
|---------|---------------|--|-----------------------------|--------------|
| Ratings | Rated current | [RM15] 10A (2 and 4 contacts)<br>5A (8, 10, and 12 contacts)<br>[RM12, 21] 5A  | Operating temperature range | -25 to +85°C |
|         | Rated voltage | [RM12] AC 600V, DC 840V (2 contacts)<br>AC 500V, DC 700V (3 and 4 contacts)<br>AC 350V, DC 490V (5, 6 and 7 contacts)<br>[RM15] AC 600V, DC 840V (2 contacts)<br>AC 500V, DC 700V (4 and 8 contacts)<br>AC 350V, DC 490V (10 and 12 contacts)<br>[RM21] AC 500V, DC 700V (15 contacts)<br>AC 350V, DC 490V (20 contacts) | Storage temperature range   | -10 to +60°C |

| Items                    | Specifications  | Conditions   |
|--------------------------|---|--|
| 1. Contact resistance    | [RM12, 21] 4mΩ max.<br>[RM15] 4mΩ max. (8, 10, and 12 contacts)<br>[RM15] 2mΩ max. (2 and 4 contacts) | Measured at DC 1A  |
| 2. Insulation resistance | 1,000MΩ min.  | Measured at DC 500V  |
| 3. Withstanding voltage  | No flashover or dielectric breakdown.   | [RM12] AC 1,800V for one minute (2 contacts)<br>AC 1,500V for one minute (3 and 4 contacts)<br>AC 1,000V for one minute (5, 6 and 7 contacts)<br>[RM15] AC 1,800V for one minute (2 contacts)<br>AC 1,500V for one minute (4 and 8 contacts)<br>AC 1,000V for one minute (10 and 12 contacts)<br>[RM21] AC 1,500V for one minute (15 contacts)<br>AC 1,000V for one minute (20 contacts) |
| 4. Vibration resistance  | No electrical discontinuity for 10μs. or greater  | 10 to 55 Hz/cycle, full amplitude : 0.75mm, 3 axis directions, 2 hours each  |
| 5. Shock resistance      | No electrical discontinuity for 10μs. or greater  | Acceleration : 490m/s <sup>2</sup> , duration : 11ms<br>3 axis directions, 3 times each  |
| 6. Mating cycles         | Contact resistance : 8mΩ max.   | 2,000 times  |
| 7. Temperature cycle     | Insulation resistance : 100MΩ min.  | -55°C : 30 minutes → Normal temperature : 10 to 15 minutes<br>→ 85°C : 30 minutes → Normal temperature : 10 to 15 minutes, left for 5 cycles   |
| 8. Moisture resistance   | Insulation resistance : 100MΩ min. (when dry)   | Temperature : 40°C, relative humidity : 90 to 95%, left for 96 hours   |

## ■ Product Number Structure

Refer to the chart below when determining the product specifications from the product number.  
Please select from the product numbers listed in this catalog when placing orders.

### ● Plug

## RM 15 T P A - 2 S (01)

① ② ③ ④ ⑤ ⑥ ⑦ ⑧

|  |
|--|
| ① Model name : RM Series (Round Miniature Series)  |
| ② Shell size : The shell size refers to the outer shell diameter of the mating interface of the plug.  |
| ③ Lock mechanism<br>T : Threaded coupling type<br>B : Bayonet sleeve type<br>Q : Quick detachable type   |
| ④ Connector type<br>(1)<br>P : Plug<br>J : Jack<br>P-C : Plug cap<br>R-F : Square flange for receptacle<br>(2)<br>R : Receptacle<br>R-C : Receptacle cap<br>R-B : Cord bushing |
| ⑤ Form variation class : Indicates a variation or change within the series.  |
| ⑥ Number of contacts   |
| ⑦ Contact form<br>P : Male contact<br>S : Female contact   |
| ⑧ Other specifications : A two-digit number is added to indicate other specifications.   |

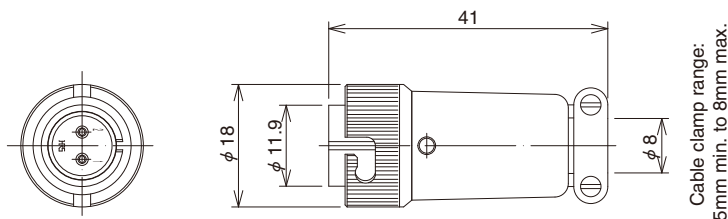
## ■ Materials / Finish

| Items        | Material                                       | Finish                             | Remarks            |
|--------------|--|------------------------------------|--------------------|
| Plated shell | Brass, zinc alloy<br>Aluminum alloy            | Nickel plating<br>Chromium plating | _____              |
| Insulator    | Diallyl phthalate resin<br>Polycarbonate resin | _____                              | UL94V-0<br>(Black) |
| Contact      | Brass or copper alloy                          | Silver plating                     | _____              |

Please note that materials will differ depending on the actual part number.

## ■ RM12B connectors (bayonet sleeve type)

### ● Plug

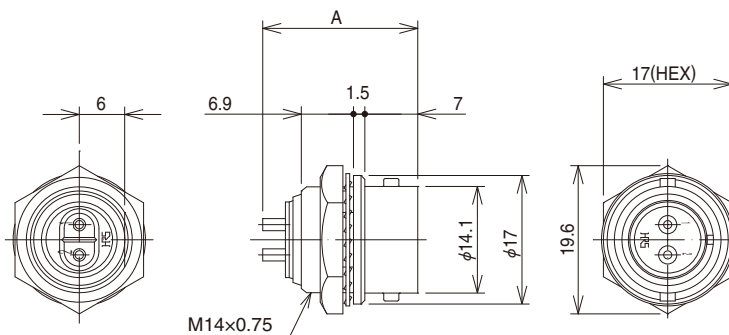


(Representative example.)

| Part No.       | HRS No.       | No. of contacts |
|----------------|---------------|-----------------|
| RM12BPE-2S(71) | 109-0423-0 71 | 2               |
| RM12BPE-3S(71) | 109-0424-2 71 | 3               |
| RM12BPE-4S(71) | 109-0425-5 71 | 4               |
| RM12BPE-5S(71) | 109-0426-8 71 | 5               |
| RM12BPE-7S(71) | 109-0428-3 71 | 7               |

| Part No.        | HRS No.       | No. of contacts |
|-----------------|---------------|-----------------|
| RM12BPE-2PH(71) | 109-0417-7 71 | 2               |
| RM12BPE-3PH(71) | 109-0418-0 71 | 3               |
| RM12BPE-4PH(71) | 109-0419-2 71 | 4               |
| RM12BPE-5PH(71) | 109-0420-1 71 | 5               |
| RM12BPE-6PH(71) | 109-0421-4 71 | 6               |
| RM12BPE-7PH(71) | 109-0422-7 71 | 7               |

### ● Receptacle (Jam nut to be fastened)



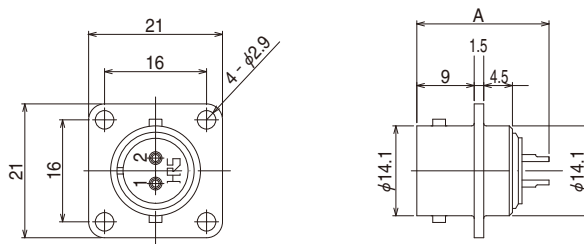
(Representative example.)

| Part No.        | HRS No.       | No. of contacts | A    |
|-----------------|---------------|-----------------|------|
| RM12BRD-2PH(71) | 109-0823-8 71 | 2               | 20.5 |
| RM12BRD-3PH(71) | 109-0824-0 71 | 3               |      |
| RM12BRD-4PH(71) | 109-0825-3 71 | 4               |      |
| RM12BRD-5PH(71) | 109-0826-6 71 | 5               |      |
| RM12BRD-6PH(71) | 109-0827-9 71 | 6               |      |
| RM12BRD-7PH(71) | 109-0828-1 71 | 7               |      |

| Part No.       | HRS No.       | No. of contacts | A    |
|----------------|---------------|-----------------|------|
| RM12BRD-2S(71) | 109-0609-8 71 | 2               | 21.6 |
| RM12BRD-3S(71) | 109-0610-7 71 | 3               |      |
| RM12BRD-4S(71) | 109-0611-0 71 | 4               |      |
| RM12BRD-5S(71) | 109-0612-2 71 | 5               |      |
| RM12BRD-7S(71) | 109-0619-1 71 | 7               |      |

Remarks : See page 12 for details on recommended panel cut-out.

● Receptacle (Integral, square flange)



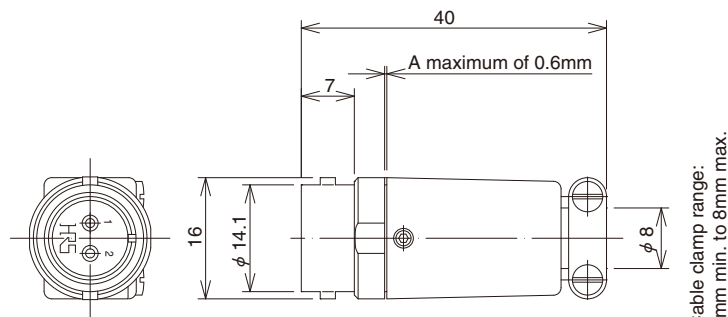
(Representative example.)

| Part No.   | HRS No.    | No. of contacts | A    |
|------------|------------|-----------------|------|
| RM12BRB-2S | 109-0577-3 | 2               | 21.6 |
| RM12BRB-3S | 109-0578-6 | 3               |      |
| RM12BRB-4S | 109-0579-9 | 4               |      |
| RM12BRB-5S | 109-0580-8 | 5               |      |
| RM12BRB-6S | 109-0581-1 | 6               |      |
| RM12BRB-7S | 109-0615-0 | 7               |      |

| Part No.    | HRS No.    | No. of contacts | A    |
|-------------|------------|-----------------|------|
| RM12BRB-2PH | 109-0817-5 | 2               | 20.5 |
| RM12BRB-3PH | 109-0818-8 | 3               |      |
| RM12BRB-4PH | 109-0819-0 | 4               |      |
| RM12BRB-5PH | 109-0820-0 | 5               |      |
| RM12BRB-6PH | 109-0821-2 | 6               |      |
| RM12BRB-7PH | 109-0822-5 | 7               |      |

Remarks : 1. See page 12 for details on recommended panel cut-out.  
 2. Please note that the RM12BRB differs in mounting dimensions from the RM12BR-F.

● Jack



(Representative example.)

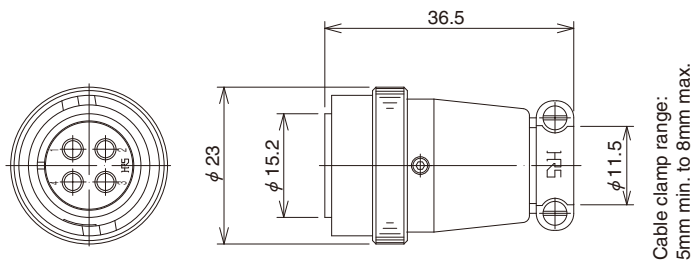
Cable clamp range:  
5mm min. to 8mm max.

| Part No.       | HRS No.       | No. of contacts |
|----------------|---------------|-----------------|
| RM12BJB-2S(07) | 109-0638-6 07 | 2               |
| RM12BJB-3S(07) | 109-0639-9 07 | 3               |
| RM12BJB-4S(07) | 109-0640-8 07 | 4               |
| RM12BJB-5S(07) | 109-0641-0 07 | 5               |
| RM12BJB-7S(07) | 109-0643-6 07 | 7               |

| Part No.    | HRS No.    | No. of contacts |
|-------------|------------|-----------------|
| RM12BJB-2PH | 109-0829-4 | 2               |
| RM12BJB-3PH | 109-0830-3 | 3               |
| RM12BJB-4PH | 109-0831-6 | 4               |
| RM12BJB-5PH | 109-0832-9 | 5               |
| RM12BJB-6PH | 109-0833-1 | 6               |
| RM12BJB-7PH | 109-0834-4 | 7               |

■ RM15Q connectors (quick detachable type)

● Plug

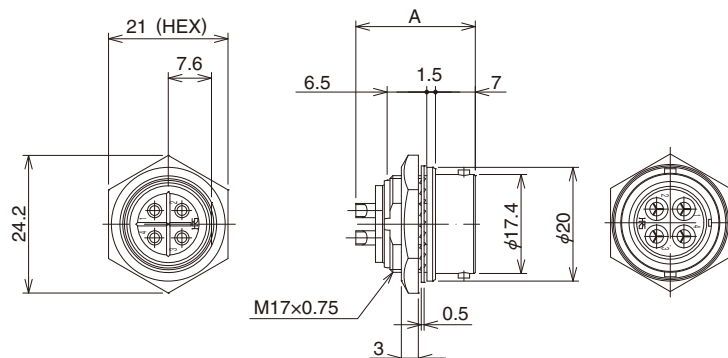


(Representative example.)

| Part No.        | HRS No.       | No. of contacts |
|-----------------|---------------|-----------------|
| RM15QPS-2SA(71) | 109-0839-8 71 | 2               |
| RM15QPS-8S(71)  | 109-0852-6 71 | 8               |
| RM15QPS-10S(71) | 109-0853-9 71 | 10              |
| RM15QPS-12S(71) | 109-0981-9 71 | 12              |

| Part No.         | HRS No.       | No. of contacts |
|------------------|---------------|-----------------|
| RM15QPS-2PA(71)  | 109-0896-1 71 | 2               |
| RM15QPS-4PA(71)  | 109-0897-4 71 | 4               |
| RM15QPS-8PH(71)  | 109-0850-0 71 | 8               |
| RM15QPS-10PH(71) | 109-0851-3 71 | 10              |
| RM15QPS-12PH(71) | 109-0980-6 71 | 12              |

● Receptacle (Jam nut to be fastened)



(Representative example.)

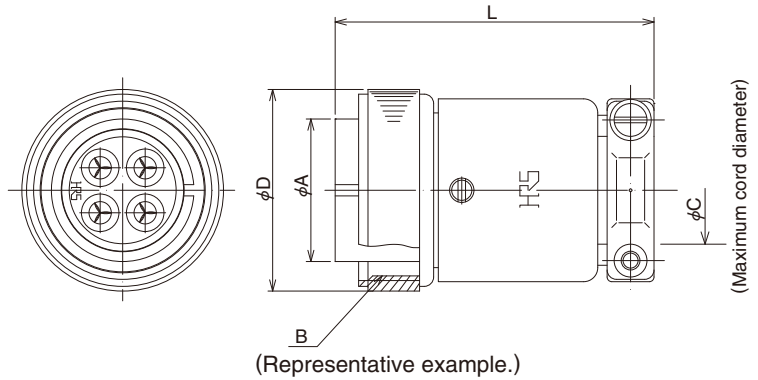
| Part No.         | HRS No.       | No. of contacts | A    |
|------------------|---------------|-----------------|------|
| RM15QRD-2PA(71)  | 109-0880-1 71 | 2               | 21.0 |
| RM15QRD-4PA(71)  | 109-0881-4 71 | 4               |      |
| RM15QRD-8PH(71)  | 109-0854-1 71 | 8               |      |
| RM15QRD-10PH(71) | 109-0855-4 71 | 10              | 20.6 |
| RM15QRD-12PH(71) | 109-0982-1 71 | 12              |      |

| Part No.        | HRS No.       | No. of contacts | A    |
|-----------------|---------------|-----------------|------|
| RM15QRD-2SA(71) | 109-0841-0 71 | 2               | 21.7 |
| RM15QRD-8S(71)  | 109-0864-5 71 | 8               | 21.6 |
| RM15QRD-10S(71) | 109-0779-8 71 | 10              |      |
| RM15QRD-12S(71) | 109-0983-4 71 | 12              |      |

Remarks : See page 12 for details on recommended panel cut-out.

## ■ RM [ ] T connectors (threaded coupling type)

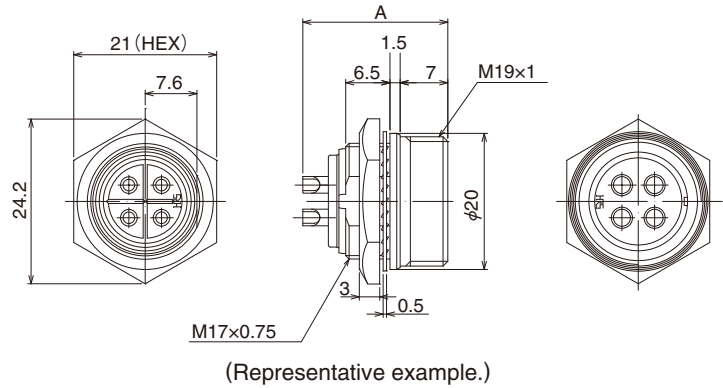
### ● Plug



| Part No.        | HRS No.       | No. of contacts | $\phi A$ | B     | $\phi C$ | $\phi D$ | L  |    |        |    |    |    |
|-----------------|---------------|-----------------|----------|-------|----------|----------|----|----|--------|----|----|----|
| RM15TP-2SA(71)  | 109-0845-0 71 | 2               | 15.2     | M19×1 | 11.5     | 21.5     | 34 |    |        |    |    |    |
| RM15TP-2PA(71)  | 109-0898-7 71 |                 |          |       |          |          |    |    |        |    |    |    |
| RM15TP-4PA(71)  | 109-0899-0 71 |                 |          |       |          |          |    |    |        |    |    |    |
| RM15TP-8S(71)   | 109-0053-2 71 | 8               |          |       |          |          |    |    |        |    |    |    |
| RM15TP-8PH(71)  | 109-0856-7 71 |                 |          |       |          |          |    |    |        |    |    |    |
| RM15TP-10S(71)  | 109-0055-8 71 | 10              |          |       |          |          |    |    |        |    |    |    |
| RM15TP-10PH(71) | 109-0857-0 71 |                 |          |       |          |          |    |    |        |    |    |    |
| RM21TP-15P(71)  | 109-0323-5 71 | 15              |          |       |          |          |    | 21 | TM25×2 | 15 | 28 | 37 |
| RM21TP-20P(71)  | 109-0324-8 71 | 20              |          |       |          |          |    |    |        |    |    |    |

Remarks : TM25x2 represents 30° trapezoidal thread profile.

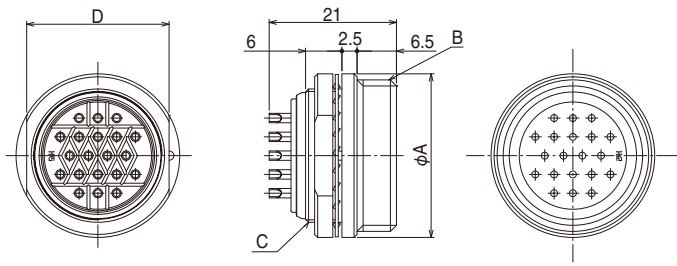
### ● Receptacle (Jam nut to be fastened)



| Part No.         | HRS No.       | No. of contacts | A    |
|------------------|---------------|-----------------|------|
| RM15TRH-2PA(71)  | 109-0886-8 71 | 2               | 21   |
| RM15TRH-2SA(71)  | 109-0847-6 71 |                 | 21.7 |
| RM15TRH-4PA(71)  | 109-0887-0 71 | 4               | 21   |
| RM15TRH-8PH(71)  | 109-0858-2 71 | 8               | 20.6 |
| RM15TRH-8S(71)   | 109-0868-6 71 |                 | 21.6 |
| RM15TRH-10PH(71) | 109-0859-5 71 | 10              | 20.6 |
| RM15TRH-10S(71)  | 109-0869-9 71 |                 | 21.6 |

Remarks : See page 12 for details on recommended panel cut-out.

● Receptacle (Jam nut to be fastened)



(Representative example.)

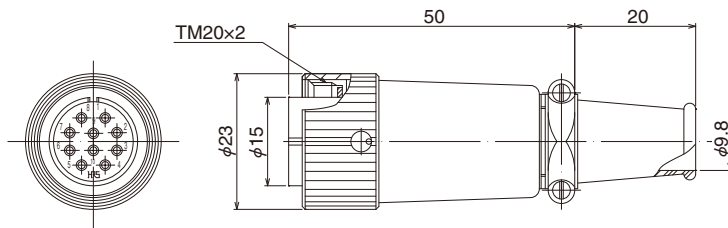
| Part No.       | HRS No.       | No. of contacts | $\phi A$ | B      | C        | D    |
|----------------|---------------|-----------------|----------|--------|----------|------|
| RM21TR-15P(71) | 109-0325-0 71 | 15              | 27       | TM25x2 | M22x0.75 | 23.5 |
| RM21TR-20P(71) | 109-0326-3 71 | 20              |          |        |          |      |

Remarks : 1. TM25x2 represents 30° trapezoidal thread profile.  
 2. See page 12 for details on recommended panel cut-out.



## ■ RM15T (type D) connectors

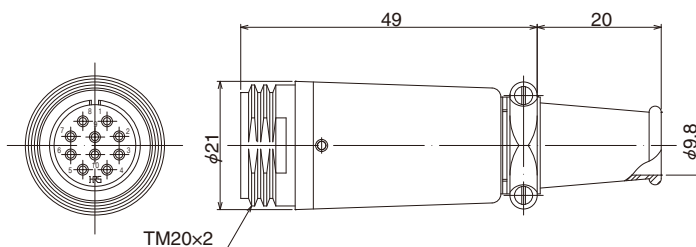
### ● Plug (solder type)



(Representative example.)

| Part No.        | HRS No.       | No. of contacts |
|-----------------|---------------|-----------------|
| RM15TPD-10P(71) | 109-0601-6 71 | 10              |
| RM15TPD-10S(71) | 109-0686-9 71 |                 |
| RM15TPD-12P(71) | 109-0660-5 71 | 12              |
| RM15TPD-12S(71) | 109-0661-8 71 |                 |

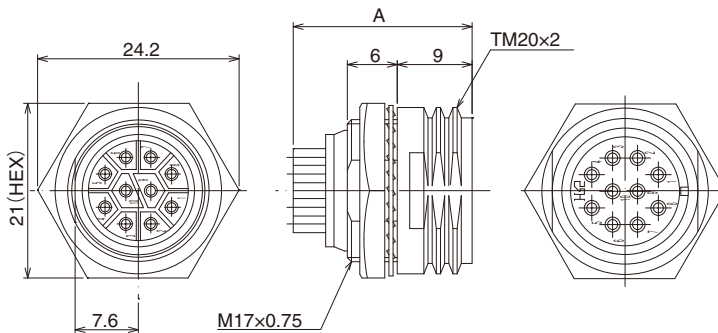
### ● Jack (solder type)



(Representative example.)

| Part No.        | HRS No.       | No. of contacts |
|-----------------|---------------|-----------------|
| RM15TJD-10P(71) | 109-0706-4 71 | 10              |
| RM15TJD-10S(71) | 109-0603-1 71 |                 |
| RM15TJD-12P(71) | 109-0715-5 71 | 12              |
| RM15TJD-12S(71) | 109-0665-9 71 |                 |

### ● Receptacle (solder type)



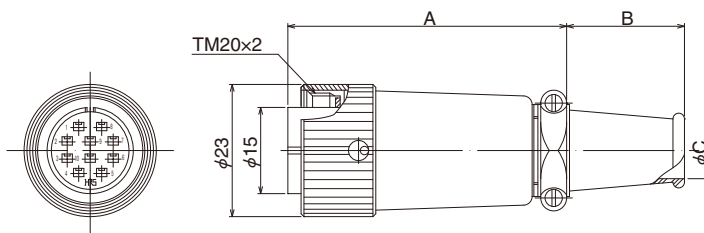
(Representative example.)

| Part No.        | HRS No.       | No. of contacts | A    |
|-----------------|---------------|-----------------|------|
| RM15TRD-10P(71) | 109-0687-1 71 | 10              | 20.5 |
| RM15TRD-10S(71) | 109-0602-9 71 |                 | 21.3 |
| RM15TRD-12P(71) | 109-0662-0 71 | 12              | 20.5 |
| RM15TRD-12S(71) | 109-0663-3 71 |                 | 21.3 |

Remarks : See page 12 for details on recommended panel cut-out.



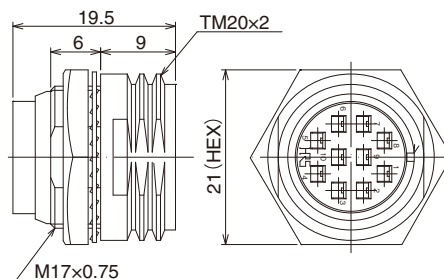
● Plug (crimp type)



(Representative example.)

| Part No.         | HRS No.       | No. of contacts | A  | B  | φC  |
|------------------|---------------|-----------------|----|----|-----|
| RM15TPD-10PC(71) | 109-0677-8 71 | 10              | 50 | 20 | 9.8 |
| RM15TPN-10PC(71) | 109-0712-7 71 |                 | 40 | 15 | 8   |

● Receptacle (crimp type)

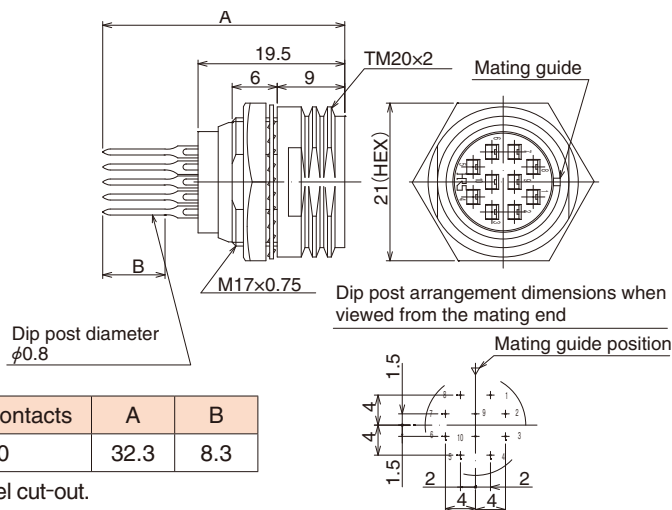


(Representative example.)

| Part No.         | HRS No.       | No. of contacts |
|------------------|---------------|-----------------|
| RM15TRD-10SC(71) | 109-0676-5 71 | 10              |

Remarks : See page 12 for details on recommended panel cut-out.

● Receptacle (dip type)



| Part No.         | HRS No.       | No. of contacts | A    | B   |
|------------------|---------------|-----------------|------|-----|
| RM15TRD-10SB(71) | 109-0710-1 71 | 10              | 32.3 | 8.3 |

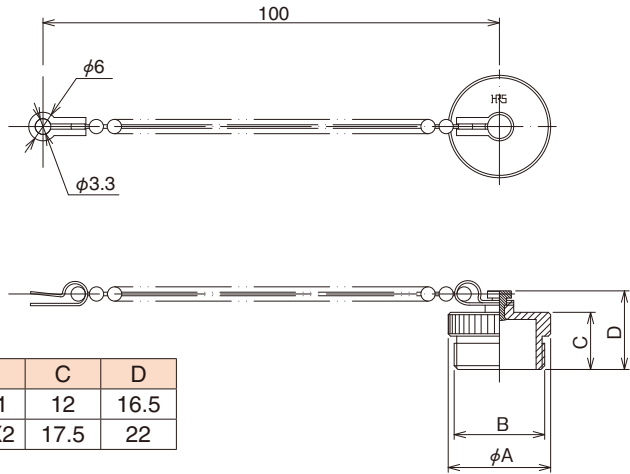
Remarks : See page 12 for details on recommended panel cut-out.

(Representative example.)

## RM Series accessories

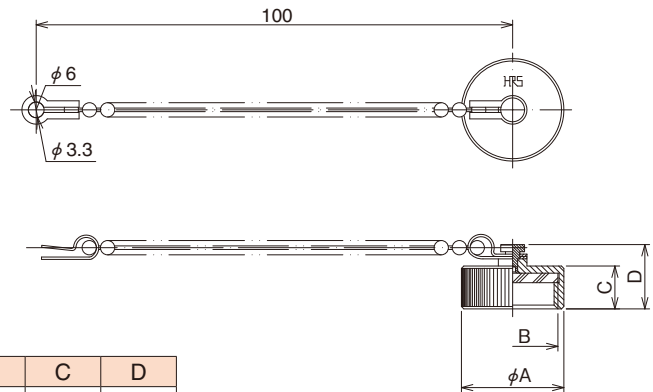
### Cap

#### ● Plug cap



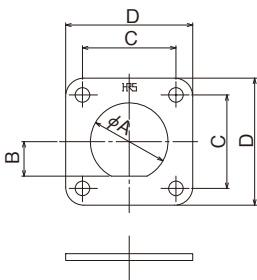
| Part No.     | HRS No.       | $\phi A$ | B      | C    | D    |
|--------------|---------------|----------|--------|------|------|
| RM15TP-C(71) | 109-0079-6 71 | 21.5     | M19X1  | 12   | 16.5 |
| RM21TP-C(71) | 109-0353-6 71 | 28       | TM25X2 | 17.5 | 22   |

#### ● Receptacle cap



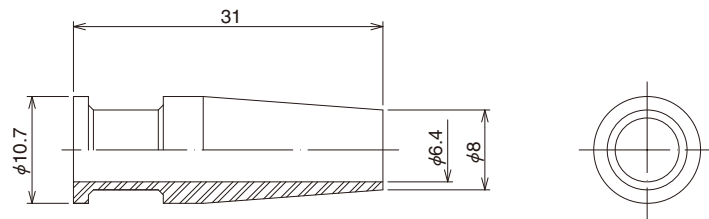
| Part No.     | HRS No.       | $\phi A$ | B      | C | D    |
|--------------|---------------|----------|--------|---|------|
| RM15TR-C(71) | 109-0080-5 71 | 21.5     | M19X1  | 9 | 13.5 |
| RM21TR-C(71) | 109-0354-9 71 | 28       | TM25X2 | 8 | 12.5 |

#### ● Square flange



| Part No.     | HRS No.       | $\phi A$ | B   | C    | D  |
|--------------|---------------|----------|-----|------|----|
| RM12BR-F(71) | 109-0154-0 71 | 14.1     | 6   | 18   | 26 |
| RM15TR-F(71) | 109-0319-8 71 | 17.1     | 7.6 | 20.6 | 28 |

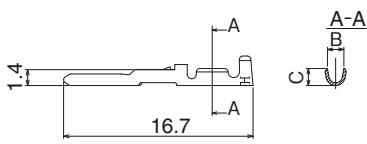
#### ● Cord bushing



| Part No.      | HRS No.       | Remarks |
|---------------|---------------|---------|
| RM12BPG-B(71) | 109-0776-0 71 | —       |

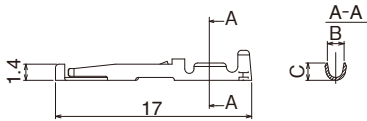
◆ Contact

● Male contact



| Type                 | Part No.  | HRS No.       | B    | C   | Applicable wire size |
|----------------------|-----------|---------------|------|-----|----------------------|
| Loose piece contacts | RM-PC-112 | 109-0668-7 00 | 1.6  | 2.0 | 20 to 24 AWG         |
|                      | RM-PC-122 | 109-0672-4 00 | 1.45 | 1.5 | 24 to 28 AWG         |
| Reel contacts        | RM-PC-212 | 109-0670-9 00 | 1.6  | 2.0 | 20 to 24 AWG         |
|                      | RM-PC-222 | 109-0674-0 00 | 1.45 | 1.5 | 24 to 28 AWG         |

● Female contact



| Type                 | Part No.  | HRS No.       | B    | C   | Applicable wire size |
|----------------------|-----------|---------------|------|-----|----------------------|
| Loose piece contacts | RM-SC-112 | 109-0669-0 00 | 1.6  | 2.0 | 20 to 24 AWG         |
|                      | RM-SC-122 | 109-0673-7 00 | 1.45 | 1.5 | 24 to 28 AWG         |
| Reel contacts        | RM-SC-212 | 109-0671-1 00 | 1.6  | 2.0 | 20 to 24 AWG         |
|                      | RM-SC-222 | 109-0675-2 00 | 1.45 | 1.5 | 24 to 28 AWG         |

Note : Loose piece contacts are available in 100 pcs/pack. Reel contacts are available in 8,000 pcs/reel.

◆ Applicable tools

| Type            | Items                    | Part No.    | HRS No.       | Applicable contact     | Applicable wire size |
|-----------------|--------------------------|-------------|---------------|------------------------|----------------------|
| Manual          | Manual crimping tool     | HT802/RM-11 | 150-0401-6 00 | RM-PC-112<br>RM-SC-112 | 20 to 24 AWG         |
|                 |                          | HT802/RM-12 | 150-0402-9 00 | RM-PC-122<br>RM-SC-122 | 24 to 28 AWG         |
| Automatic       | Automatic crimping press | CM-105C     | 901-0001-0 00 | —————                  | —————                |
|                 | Applicator               | AP-105-RM-1 | 901-2017-4 00 | RM-PC-212<br>RM-SC-212 | 20 to 24 AWG         |
|                 |                          | AP-105-RM-2 | 901-2018-7 00 | RM-PC-222<br>RM-SC-222 | 24 to 28 AWG         |
| Extraction tool |                          | RM-TP       | 150-0008-7 00 | —————                  | —————                |

◆ Manual crimping tool



◆ Contact extraction tool



◆ Automatic crimping press (Type CM-105C)



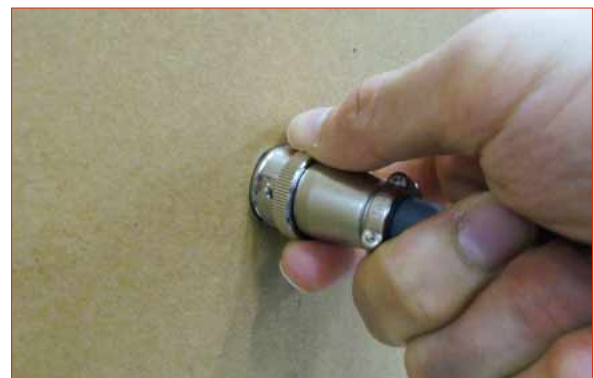
◆ How to use the RM15Q connectors (quick detachable type)

1. Insertion



For smooth mating, while holding the plug tube, match the guide of the receptacle with the key-way on the plug and push straight it in as shown in the above figure.

2.Extraction

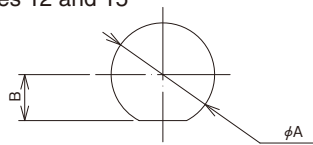


To unmate, hold the locking sleeve and twist it approximately 30 degrees to the left, then pull it straight off as shown in the above figure.

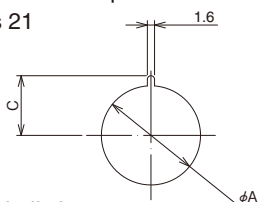
### ◆ Receptacle-recommended panel cut-out

#### ● For jam nut type

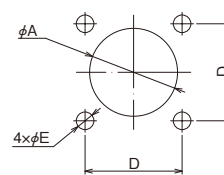
Recommended panel cut-out for shell sizes 12 and 15



Recommended panel cut-out for shell sizes 21



#### ● For square flange type



Remarks : Use a 0.5 ~ 2 mm thickness panel for all shell sizes.

| Sign            | Nut tightening |      |           |       | Square flange |
|-----------------|----------------|------|-----------|-------|---------------|
|                 | 12             | 15   |           | 21    | 12            |
| Mounting method | BRD            | QRD  | TRH · TRD | TR    | BRB           |
| φA              | 14.1           | 17.1 |           | 22.1  | 14.5          |
| B               | 6.1            | 7.6  |           |       |               |
| C               |                |      |           | 12.65 |               |
| D               |                |      |           |       | 1.6           |
| φE              |                |      |           |       | 2.9           |

Remarks : The dimensional tolerance to be +0.1 / 0.

### ◆ Contact Position Arrangement and Specifications

| Contact arrangement          | Shell size : 12          |                          |   |   |                          | Shell size : 15          |                          |
|------------------------------|--------------------------|--------------------------|---|---|--------------------------|--------------------------|--------------------------|
|                              |                          |                          |   |   |                          |                          |                          |
| No. of contacts              | 2                        | 3                        | 4 | 5 | 7                        | 2                        | 4                        |
| Withstanding voltage         | AC 1,800V for one minute | AC 1,500V for one minute |   |   | AC 1,000V for one minute | AC 1,800V for one minute | AC 1,500V for one minute |
| Rated current                | 5A                       |                          |   |   |                          | 10A                      |                          |
| Insulation resistance        | 1,000MΩ min.             |                          |   |   |                          | 1,000MΩ min.             |                          |
| Contact resistance           | 4mΩ max.                 |                          |   |   |                          | 2mΩ max.                 |                          |
| Inner diameter of solder pot | φ1.1mm                   |                          |   |   |                          | φ1.7mm                   |                          |

| Contact arrangement          | Shell size : 15          |                          |    | Shell size : 21 |                          |                          |
|------------------------------|--------------------------|--------------------------|----|-----------------|--------------------------|--------------------------|
|                              |                          |                          |    |                 |                          |                          |
| No. of contacts              | 8                        | 10                       | 12 | 15              | 20                       |                          |
| Withstanding voltage         | AC 1,500V for one minute | AC 1,000V for one minute |    |                 | AC 1,500V for one minute | AC 1,000V for one minute |
| Rated current                | 5A                       |                          |    | 5A              |                          |                          |
| Insulation resistance        | 1,000MΩ min.             |                          |    | 1,000MΩ min.    |                          |                          |
| Contact resistance           | 4mΩ max.                 |                          |    | 4mΩ max.        |                          |                          |
| Inner diameter of solder pot | φ1.1mm                   |                          |    | φ1.1mm          |                          |                          |

#### Remarks

- The above figures show contact arrangements viewed from the mating end of the connectors with female contacts.
- The "▼" marks shown in the above figures represent the position of the receptacle mating guide.
- Withstanding voltages are shown as test voltages.

#### ◆ Usage Recommendations

- Be sure the power is off before mating/unmating a connector.
- Be sure to use a connector with female contacts for the power side of the circuit.
- Be sure to engage the lock mechanism on the connectors.
- Regarding plugs and jacks : the forces from cable clamping, cable rotation, and other forces may vary with the cable construction. Please make sure that your cable is suitable for use with these connectors before usage and production.



## HIROSE ELECTRIC CO.,LTD.

2-6-3,Nakagawa Chuoh,Tsuzuki-Ku,Yokohama-Shi 224-8540,JAPAN  
 TEL: +81-45-620-3526 Fax: +81-45-591-3726  
<http://www.hirose.com>  
<http://www.hirose-connectors.com>