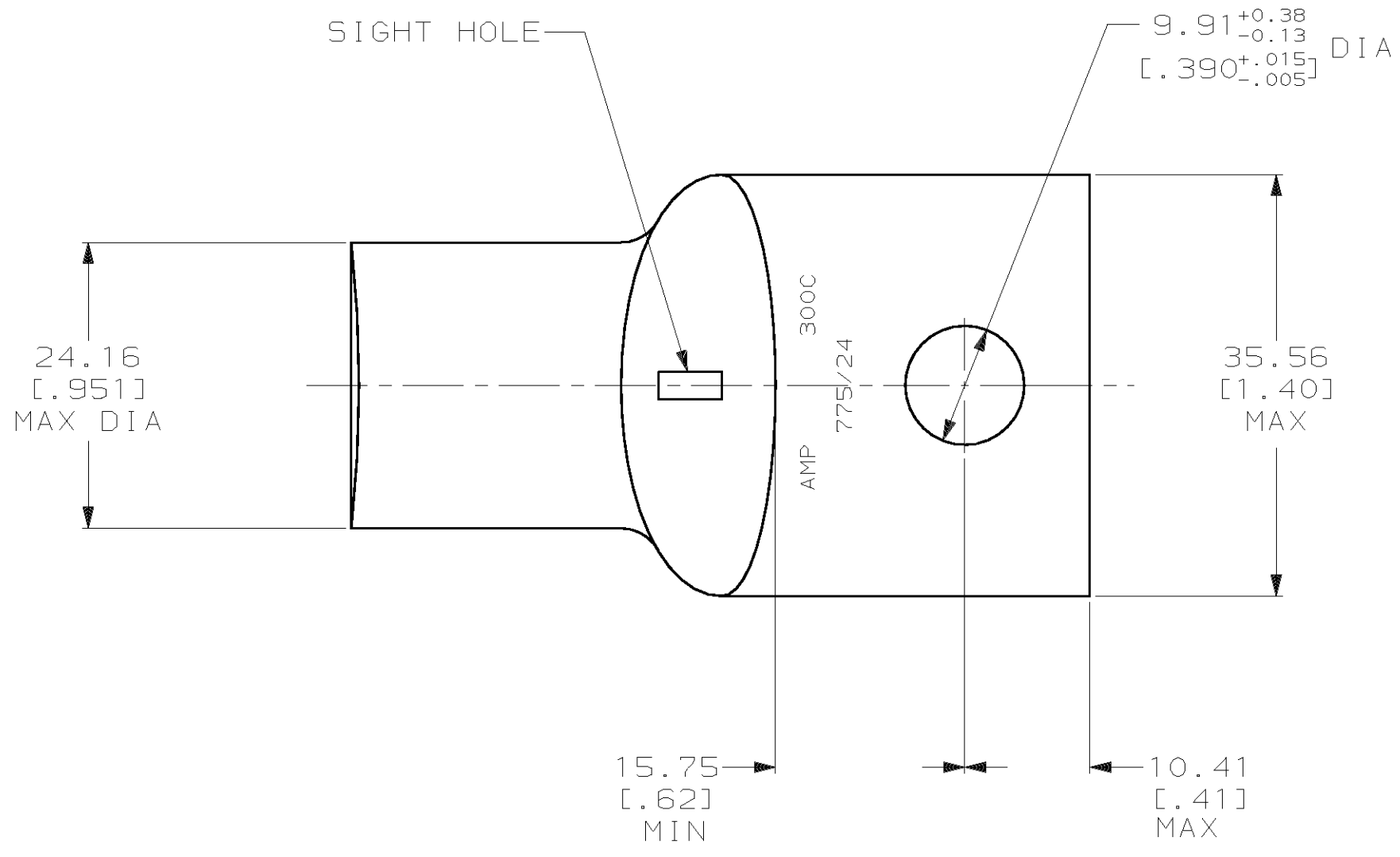


THIS DRAWING IS UNPUBLISHED. RELEASED FOR PUBLICATION ,19 .
 © COPYRIGHT 19 BY AMP INCORPORATED. ALL INTERNATIONAL RIGHTS RESERVED.

LOC		DIST		P		F		ZONE		LTR		REVISIONS			
G		86										DESCRIPTION	DATE	APPD	
												T	REV PER 0G3A-0561-01	08OCT02	JR/MS



1 CIRCULAR MIL AREA RANGE: 275-325 MCM
 2 TIN PL 0.00381 [0.00150] MIN THK PER MIL-T-10727

325814

B

A

325814

PART NO

DO NOT SCALE PRINT. UNLESS SPECIFIED DIMENSIONS IN mm [INCHES] TOLERANCES ON : 2 PLC DEC ± 0.51 [0.020] 3 PLC DEC ± - ANGLES ± -	DR 03/09/90 DK SCHRUM	AMP INCORPORATED Harrisburg, Pa. 17105
	CHK 23JAN95 MS FEHER	
MATERIAL ANNEALED COPPER ASTM B-75	APPD 23JAN95 WJ VOCKROTH	NAME
	APPD 23JAN95 TL SHUTTER	TERMINAL, AMPPOWER™ WIRE SIZE: 300 MCM
FINISH △	PRODUCT SPEC 108-30200	SIZE
	APPLICATION SPEC -	C 00779
WEIGHT .145 LB	SCALE 2:1	DRAWING NO 325814
		SHEET 1 OF 1

