

PART NAME: KNOB      SCALE: 1:1      DATE: 11/18/54      DR. BY JC

THIS DRAWING IS THE PROPERTY OF DAVIES MOLDING COMPANY, IS SUBMITTED SOLELY AS A DESIGN OR ENGINEERING PROJECT. WE ACCEPT NO RESPONSIBILITY WHATSOEVER FOR THE PRACTICAL APPLICATION OF THE PIECES MADE TO THIS DESIGN.

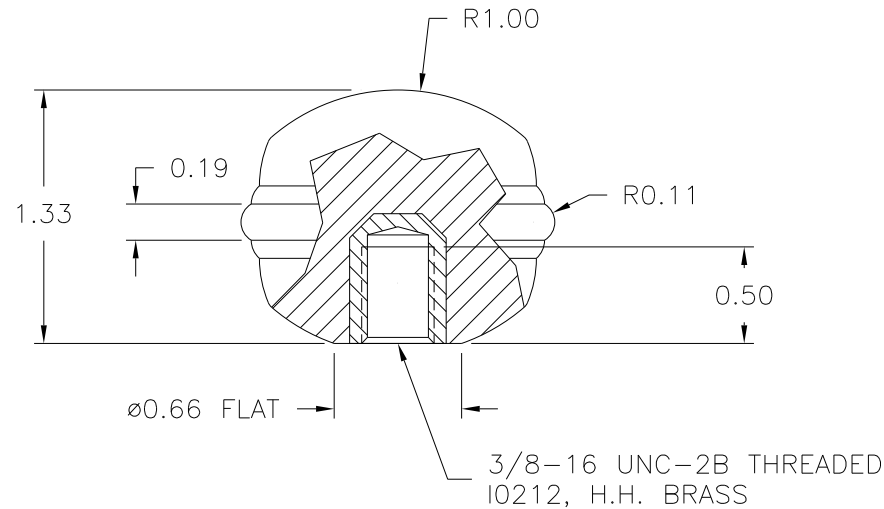
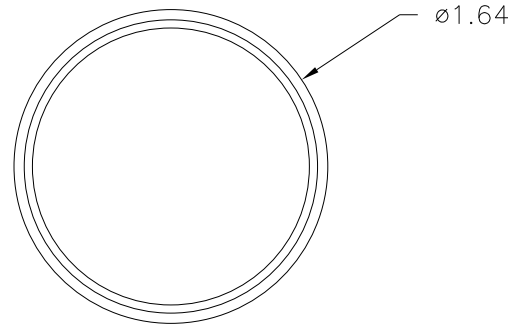
**DAVIES MOLDING** DESIGNERS & MANUFACTURERS OF KNOBS, HANDLES, CASES & CUSTOM PLASTIC COMPONENTS

P/N 0050-R

M<sup>NO.</sup> 0050

PIN 0050-L

INSERT 10212



MATERIAL: G.P. PHENOLIC (B11)  
COLOR: BLACK

|   |                                  |   |               |             |
|---|----------------------------------|---|---------------|-------------|
| TOLERANCES:<br>UNLESS OTHERWISE SPECIFIED | DO NOT SCALE<br>DRAWING          |   |               |             |
| DECIMALS: X.XXX ± .005<br>X.XX ± .015     | MM: X.XX ± 0.15MM<br>X.X ± 0.4MM | - | RE-DID REDRAW | TL 10/29/99 |
| FRACTIONS ± 1/64                          | ANG. ± 1°                        | - | CAD REDRAW    | HD 8/29/97  |
| CHANGES                                   |                                  |   |               |             |