

RED INDICATES ORIGINAL

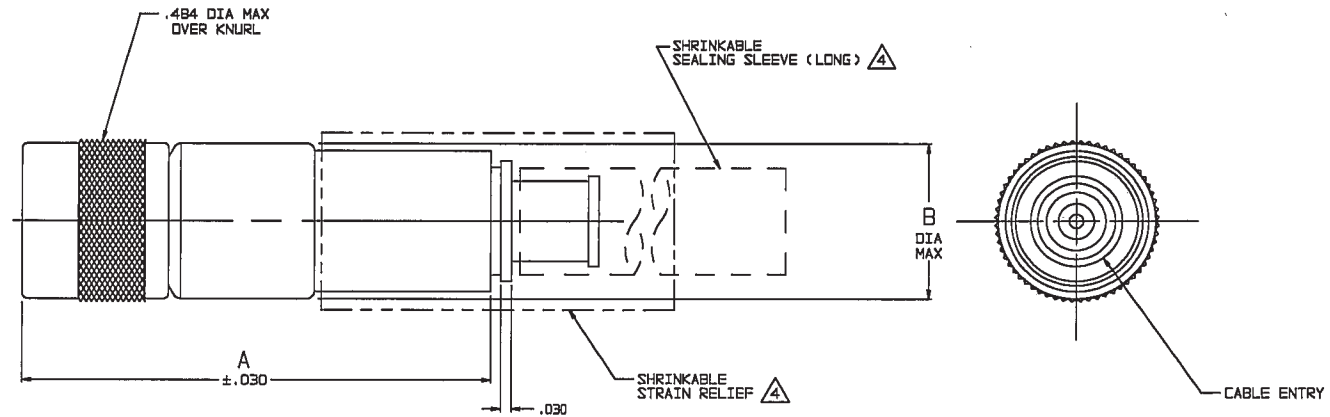
| DASH NO | CABLES ACCOMMODATED | A DIM | B DIA | C HEX | ASSEMBLE PER |
|---------|----------------------|-------|-------|-------|--------------|
| -201 | M17/176-00002 | 1.116 | .339 | .255 | TAI-143 |
| -202 | TWC-78-1 | | | | |
| -203 | TWC-124-1A | | | | |
| -204 | 10602, RAYCHEM | | | | |
| -205 | TWAC-78-1F2 | 1.322 | .442 | .344 | TAI-157 |
| -206 | 782600130, RAYCHEM | | | | |
| -207 | 83310 BELDEN | | | | |
| -208 | 202-3927 MICRODOT | | | | |
| -209 | 202-3942 MICRODOT | 1.116 | .339 | .255 | TAI-143 |
| -210 | 8451 BELDEN | | | | |
| -211 | 202-3934 MICRODOT | | | | |
| -212 | 2524E0114, RAYCHEM | | | | |
| -213 | TWC-78-2 | 1.322 | .442 | .344 | TAI-144 |
| -214 | TWC-124-2 | | | | |
| -215 | BL-982 TIMES | | | | |
| -216 | BL-1242 TIMES | | | | |
| -217 | GC875TM24H, GRUMMAN | 1.116 | .339 | .255 | TAI-143 |
| -218 | EPD 22188B, RAYCHEM | | | | |
| -219 | 2528D1114, RAYCHEM | | | | |
| -220 | GC875RR1, GRUMMAN | | | | |
| -221 | 10614, RAYCHEM | 1.322 | .442 | .344 | TAI-144 |
| -222 | 10613, RAYCHEM | | | | |
| -223 | HMS2-1149, HUGHES | | | | |
| -224 | TWCP-124-3 | | | | |
| -225 | PS66SPL, PRIME STOCK | | | | |

DATA CONTAINED IN THIS DOCUMENT IS PROPRIETARY TO TROMPETER ELECTRONICS INC. AND SHALL NOT BE DISCLOSED, COPIED OR USED FOR PROCUREMENT OR MANUFACTURE WITHOUT EXPRESS WRITTEN PERMISSION.

| REVISIONS | | | 310-0060 | SH 1 | |
|-----------|-------|----------------------------|----------|------------|---------------|
| REV | EO | DESCRIPTION | DWN | APPROVED | DATE |
| L | 12321 | ADDED -224 & -225; SEE ECO | DBN | <i>DBN</i> | <i>2/2/98</i> |

| DASH NO | CABLES ACCOMMODATED | A DIM | B DIA | C HEX | ASSEMBLE PER |
|---------|---------------------|-------|-------|-------|--------------|
| -301 | GC875GC1, GRUMMAN | 1.116 | .339 | .255 | TAI-153 |
| -302 | GC875GB1, GRUMMAN | | | | |
| -303 | 5022E5111, RAYCHEM | | | | |
| -304 | 7528A5314, RAYCHEM | | | | |
| -305 | M17/177-00001 | 1.322 | .442 | .344 | TAI-173 |
| -306 | 295-3804 MICRODOT | | | | |
| -307 | TRC-50-2 | | | | |
| -308 | M17/134-00002 | | | | |
| -309 | TRC-75-1 | 1.116 | .339 | .255 | TAI-153 |
| -308 | TRC-75-2 | | | | |
| -309 | TRC-50-1 | | | | |

| INCH | MM |
|-------|-------|
| .005 | 0.13 |
| .030 | 0.76 |
| .255 | 6.48 |
| .339 | 8.61 |
| .344 | 8.74 |
| .442 | 11.23 |
| .484 | 12.29 |
| 1.00 | 25.40 |
| 1.116 | 28.35 |
| 1.25 | 31.75 |
| 1.322 | 33.58 |
| 1.75 | 44.45 |



-207 SHOWN

- 4** 1 SHRINKABLE STRAIN RELIEF AND/OR SHRINKABLE SEALING SLEEVE SUPPLIED LOOSE AS FOLLOWS:
- CABLE GROUPS -207, -210 & -307:
 - 1 SHRINKABLE STRAIN RELIEF (1.00 LONG)
 - 1 SHRINKABLE SEALING SLEEVE (1.25 LONG)
 - CABLE GROUPS -201 THROUGH -206, -208, -209, -217 THROUGH -303 & -309:
 - 1 SHRINKABLE SEALING SLEEVE (1.25 LONG)
 - CABLE GROUPS -211 THROUGH -216, -305, -306 & -308:
 - 1 SHRINKABLE STRAIN RELIEF (1.75 LONG)
3. 3-LUG SUBMINIATURE CONCENTRIC TWINAX (4 PIECE ASSY) AND TRIAX (6 PIECE ASSY), FULL CRIMP CABLE PLUG
2. FINISH: TFS-1A (NICKEL)
1. ALL DIM ARE IN INCHES

6. EXAMPLE OF COMPLETE MODEL NO:
 PL155AC -201
 BASIC MODEL NO. ——— CABLE GROUP DASH NO
5. EXAMPLE OF COMPLETE PART NO:
 310-0060 -201
 BASIC PART NO. ——— CABLE GROUP DASH NO



| QTY | DESCRIPTION | PART NUMBER | ITEM |
|--|-------------------------------------|--------------|--------------|
| TOL UNLESS SPECIFIED .XX ± .03 .XXX ± .005 .XXXX ± .0002 ANGLELESS | TROMPETER RF connectivity | PL155AC | |
| DWN | DBN 2/13/98 | MATERIAL | CODE IDENT |
| CHK | DBN 2/23/98 | 14949 | DRAWING NO. |
| ENGR | | 310-0060 | REV |
| APPR | <i>DBN</i> | L | SCALE 4/1 |
| NEXT ASSY | | DATE 4-25-85 | SHEET 1 OF 2 |