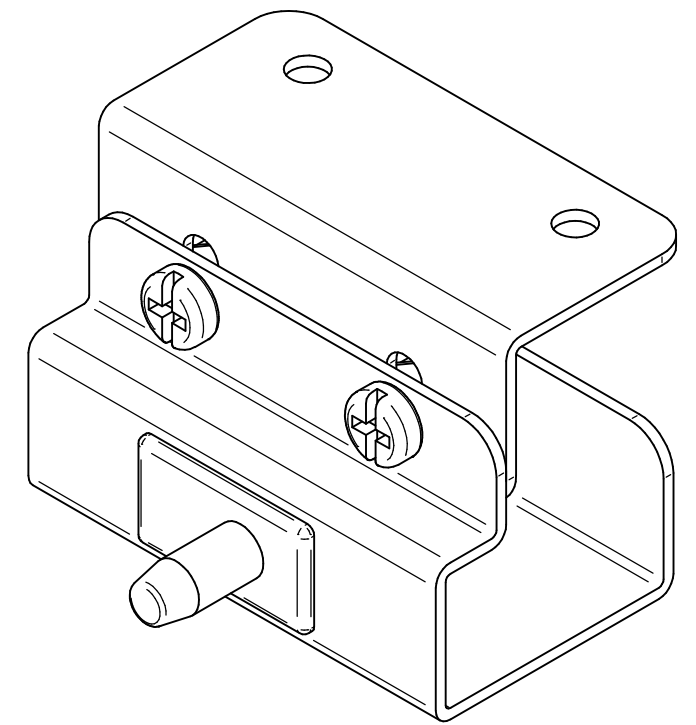


**PART No. FDS1**

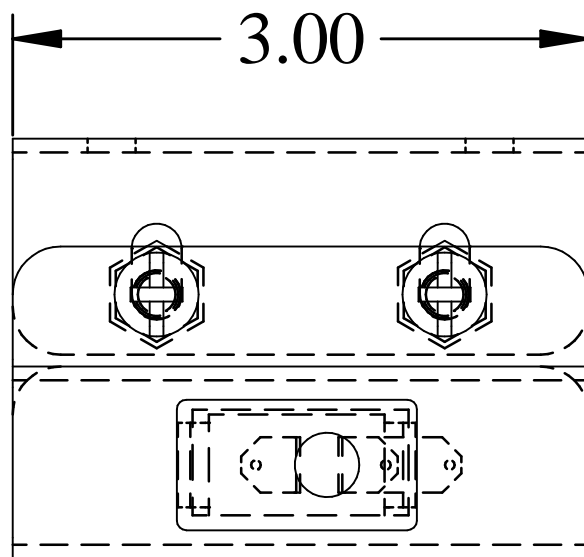
for more information visit  
[www.hammondmfg.com](http://www.hammondmfg.com)

Data subject to change without notice

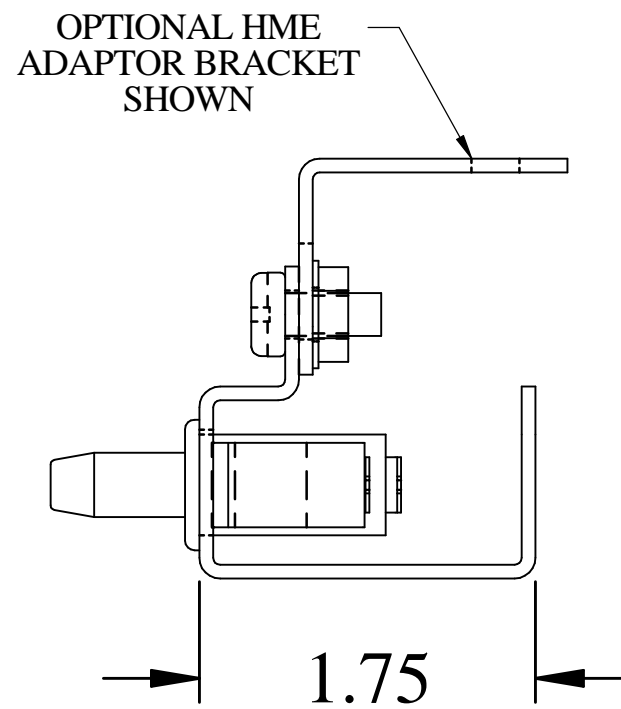
Isometric drawing Not to Scale



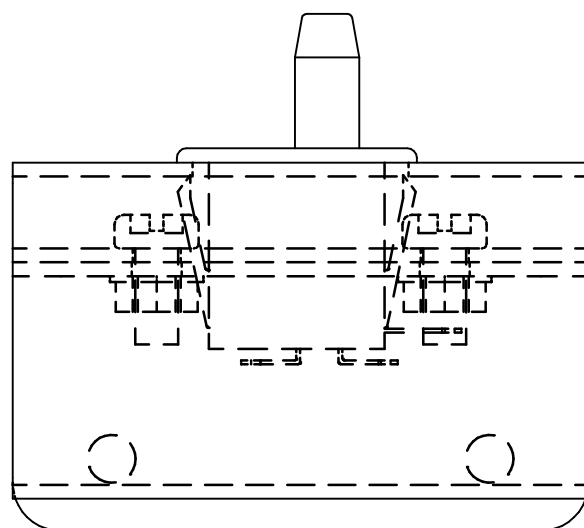
**ISOMETRIC VIEW**



**FRONT VIEW**



**SIDE VIEW**



**BOTTOM VIEW**