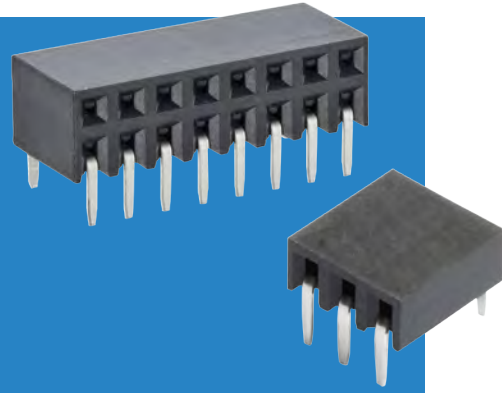


M20 Connectors

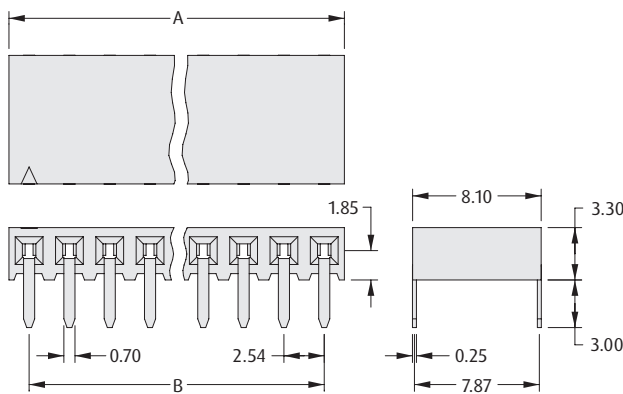
Female Horizontal PC Tail

- ❖ Two point solder fixing for connector rigidity.
- ❖ Twin beam contact for cost-effective reliability.
- ❖ Suitable for use with mating M20 male pin headers, with 0.64mm square pins.



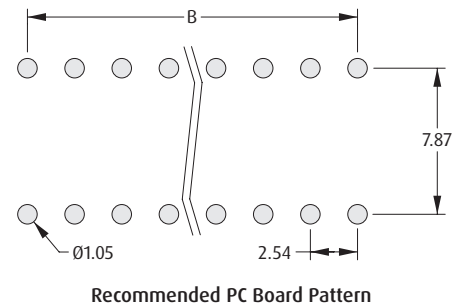
2.54mm (.100") PITCH

SINGLE ROW

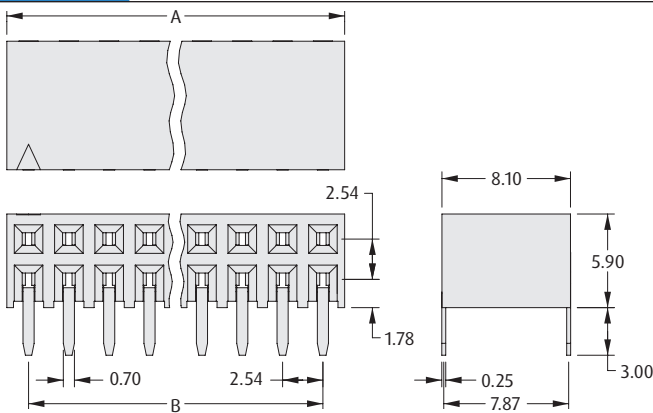


CALCULATION

A	2.54 x No. of contacts per row
B	2.54 x (No. of contacts per row - 1)

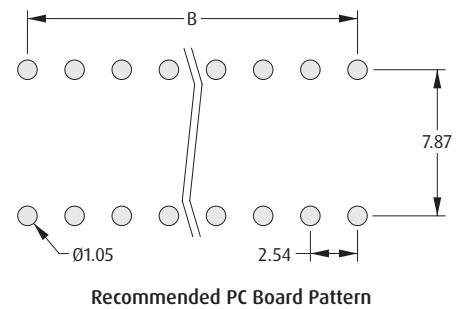


DOUBLE ROW



CALCULATION

A	B + 2.74
B	2.54 x (No. of contacts per row - 1)



HOW TO ORDER

M20 - 78 X XX XX

SERIES CODE

TYPE

8	Double Row
9	Single Row

FINISH

42	Gold + Tin
46	Tin

NO. OF CONTACTS PER ROW

02 to 40

All dimensions in mm.