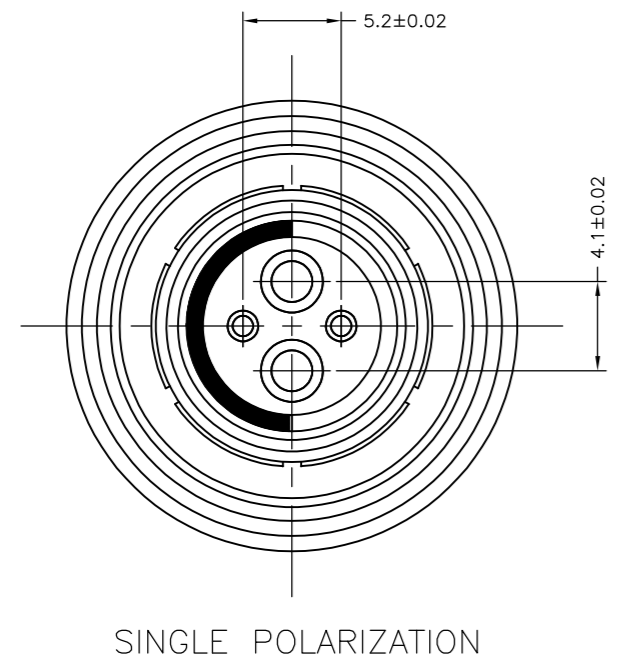


THIS DRAWING IS UNPUBLISHED. RELEASED FOR PUBLICATION
 © COPYRIGHT - By - ALL RIGHTS RESERVED.

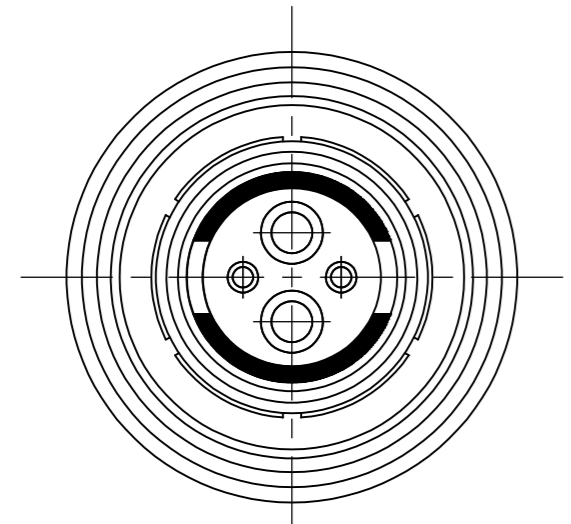
LOC		DIST		REVISIONS			
P	LTR	DESCRIPTION		DATE	DWN	APVD	
		D		REVISED PER ECO 13-001843.	08FEB2013	MGM	CT

D
C
B
A

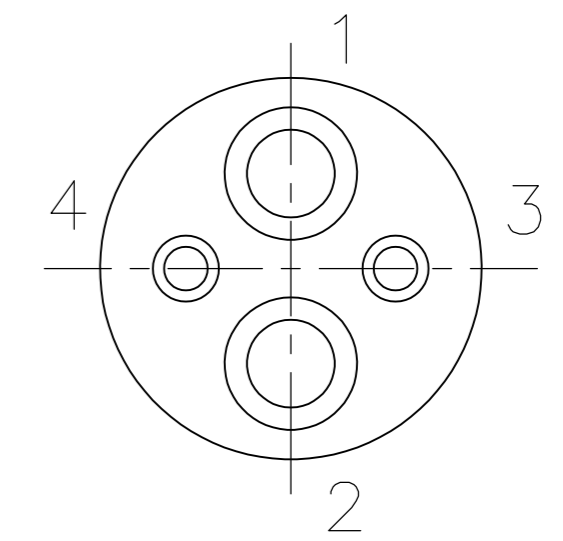
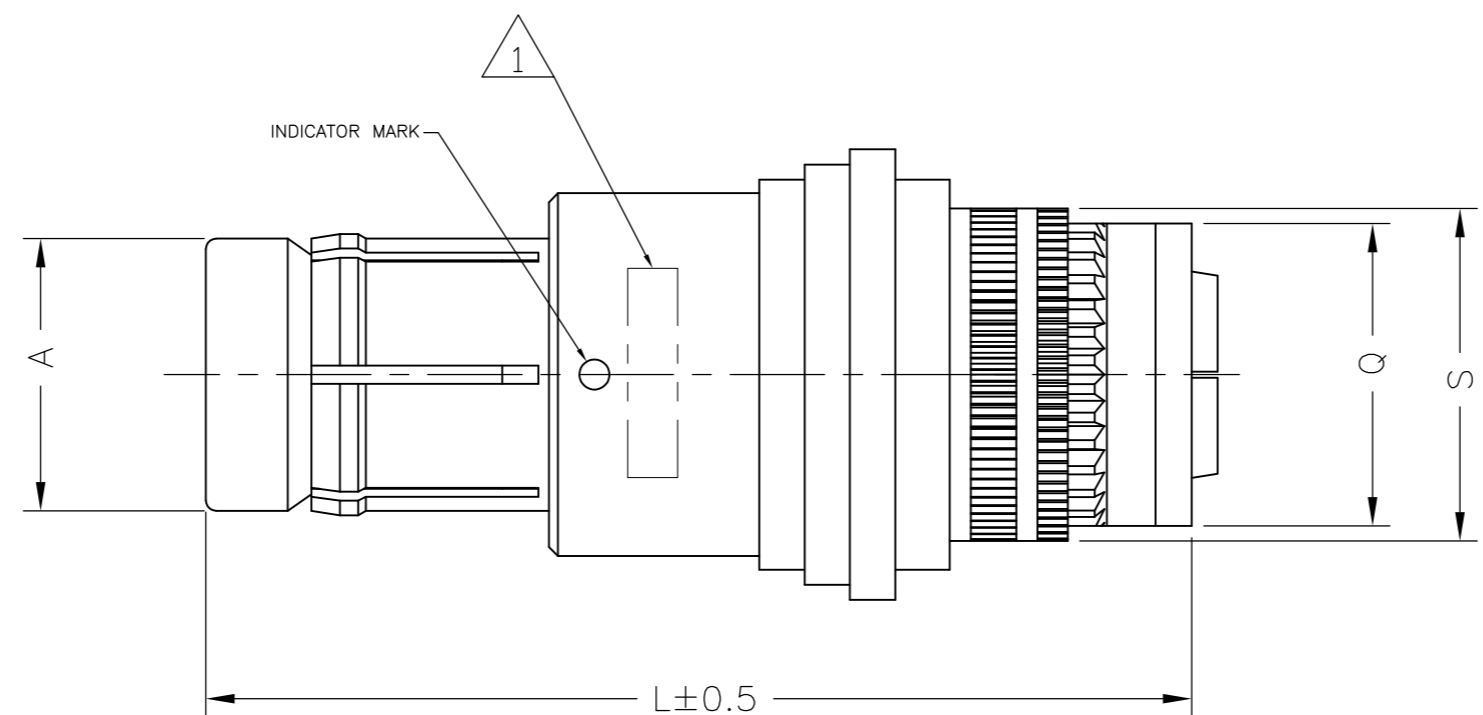
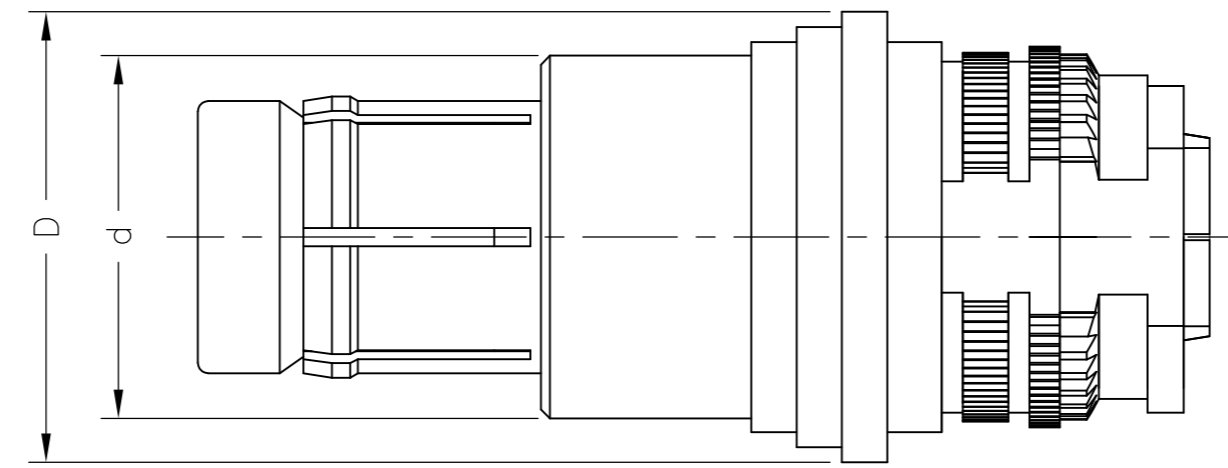
D
C
B
A



SINGLE POLARIZATION



DOUBLE POLARIZATION



CAVITY IDENTIFICATION WHEN VIEWED FROM REAR OF CONNECTOR

1 THE PART IS MARKED WITH THE TE PART NUMBER, CHINA, DATE CODE AND LOT ID.

2. DWV RATING: 875VAC @ SEA LEVEL

3. WIRE SIZE: 2.3MM - 12AWG MAX
0.9MM - 22AWG MAX

4. WORKING TEMPERATURE: -55°C ~ +125°C

5 MATERIAL:
 CONTACT : COPPER ALLOY
 SHELL : COPPER ALLOY
 INSULATOR : PEEK

6 FINISH
 CONTACT: GOLD OVER NICKEL
 SHELL : BLACK CHROMIUM

7 ALL TOLERANCES TO BE ±0.20 MM UNLESS NOTED.

CHROMIUM-BLACK	DOUBLE	SOLDERING	ø12	ø12	ø13	38.6	ø15	ø18	4	2157469-2
CHROMIUM-BLACK	SINGLE	SOLDERING	ø12	ø12	ø13	38.6	ø15	ø18	4	2157469-1
FINISH	POLARIZATION	TERMINATION	A	Q	S	L max	d	D	SHELL SIZE	TE PART NUMBER

THIS DRAWING IS A CONTROLLED DOCUMENT.

DWN	C.C THOMAS	14MAR2011
CHK	R. GROSS	14MAR2011
APVD	R. GROSS	14MAR2011
PRODUCT SPEC	108-127005	
APPLICATION SPEC		
WEIGHT	-	
CUSTOMER DRAWING		

TE TE Connectivity

CIRCULAR HD PLUG WITH SOCKET CONTACTS 4 POS.

SIZE	A2	CAGE CODE	00779	DRAWING NO	C=2157469	RESTRICTED TO	-
SCALE	NTS	SHEET	1 of 1	REV	D		