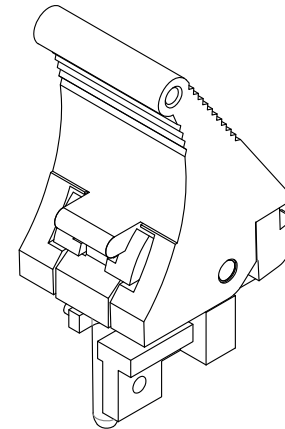
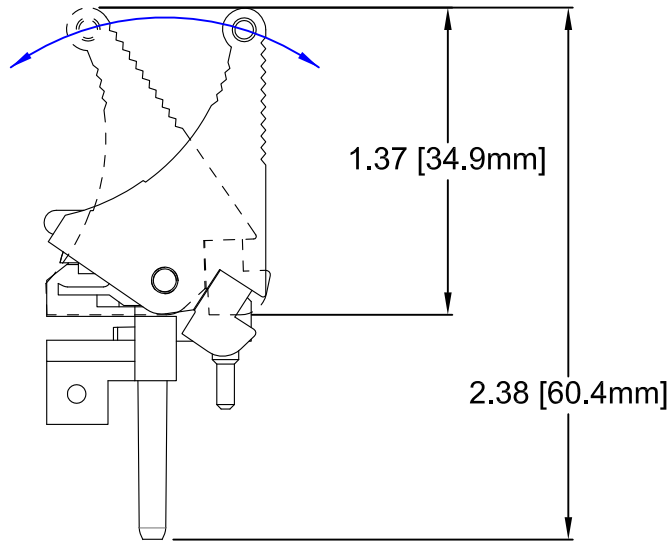
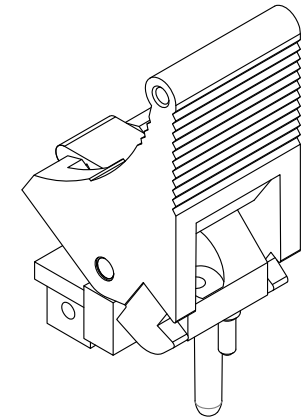


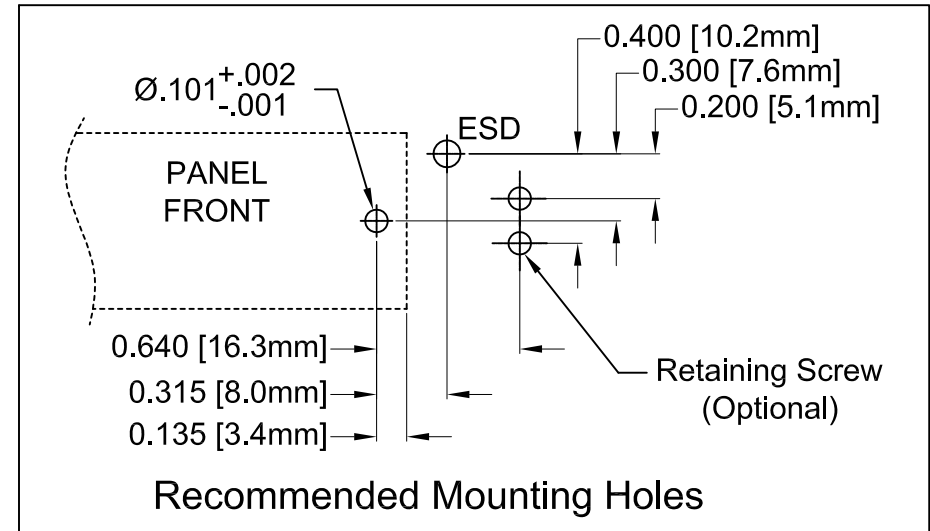
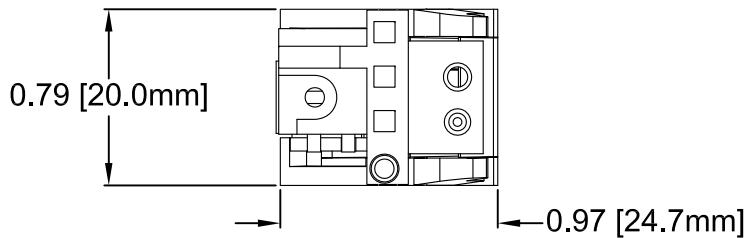
REV.	DESCRIPTION	DATE	APPROVED
A	Engineering Release.	06/26/14	J. C.



3D VIEW LOCKED





3D VIEW OPEN



Recommended Mounting Holes

**NOTES:**

1. Compliant with PICMG CPCI standard
2. Mounting screws shipped unassembled

STANDARD TOLERANCE (UNLESS OTHERWISE SPECIFIED)		 <b>BIVAR</b> <sup>®</sup> 4 THOMAS, IRVINE, CA, 92618 TEL: (949) 951-8808 FAX: (949) 951-3974	
DECIMALS	ANGULAR		
.X ±.1	X° ± 1°		
.XX ±.01		 <b>TITLE: CPCI EJECTOR HANDLE BOTTOM, STYLE E4</b>	
.XXX ±.005			<b>PART NO: CPCI-E4-B</b> <b>REVISION: A</b>
DESIGNED: <b>Brian Oliver</b>	DATE: <b>06/26/14</b>	CAGE CODE : <b>32559</b>	SHEET # <b>1</b> OF <b>1</b>
CHECKED: <b>A. Wright</b>	DATE: <b>06/26/14</b>	CAD GENERATED DOCUMENT, DO NOT MEASURE DRAWING.	