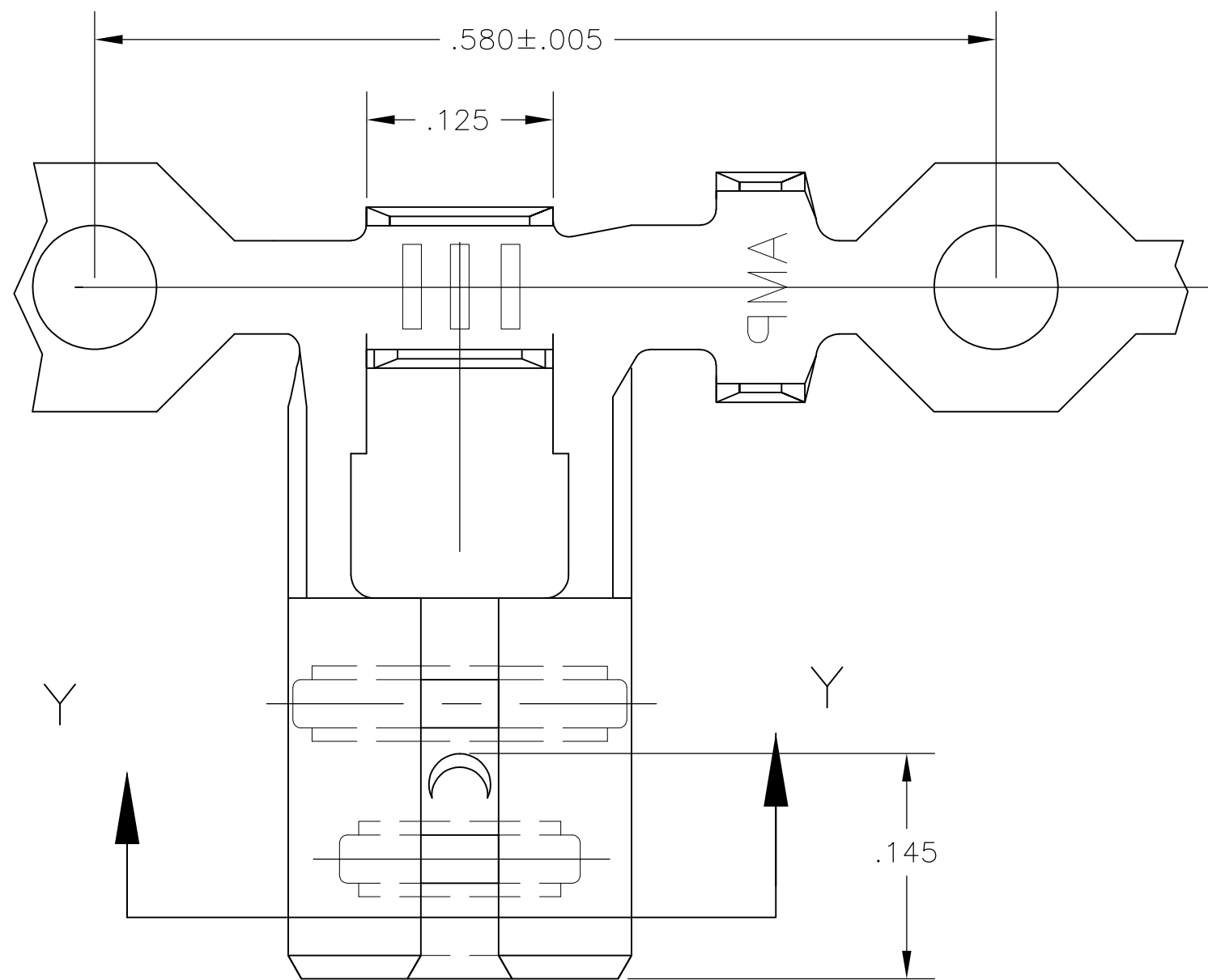
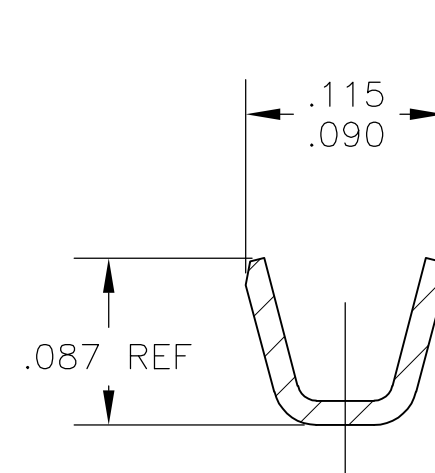


THIS DRAWING IS UNPUBLISHED. RELEASED FOR PUBLICATION
 © COPYRIGHT - By - ALL RIGHTS RESERVED.

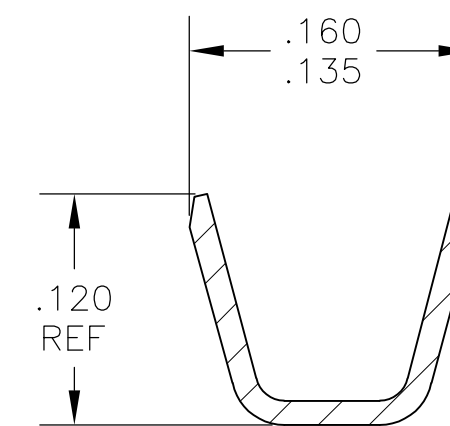
LOC	DIST	REVISIONS			
P	LTR	DESCRIPTION	DATE	DWN	APVD
AF	14				
D		REVISED PER ECR-12-013518	26NOV2012	KH	PD



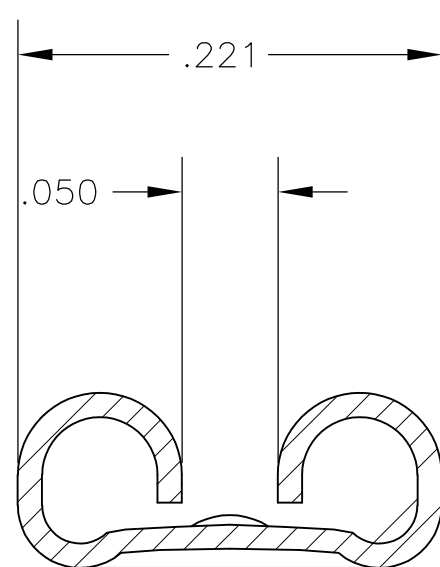
- 1 CONTINUOUS STRIP ON REELS
- 2 WIRE SIZE IS 22-18 AWG
- 3 INSULATION RANGE IS .060-.110 DIA.
- 4 MATING TAB THK IS .020±.001



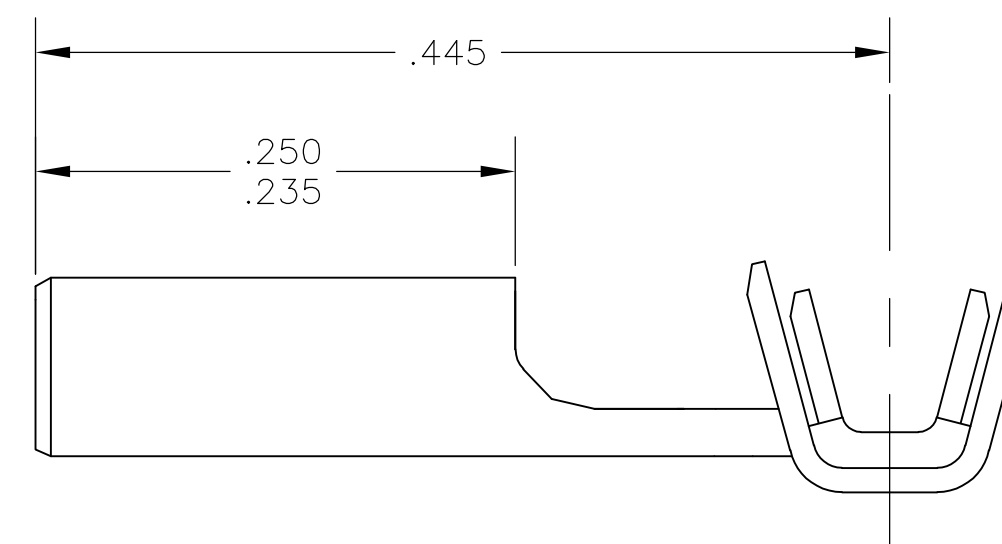
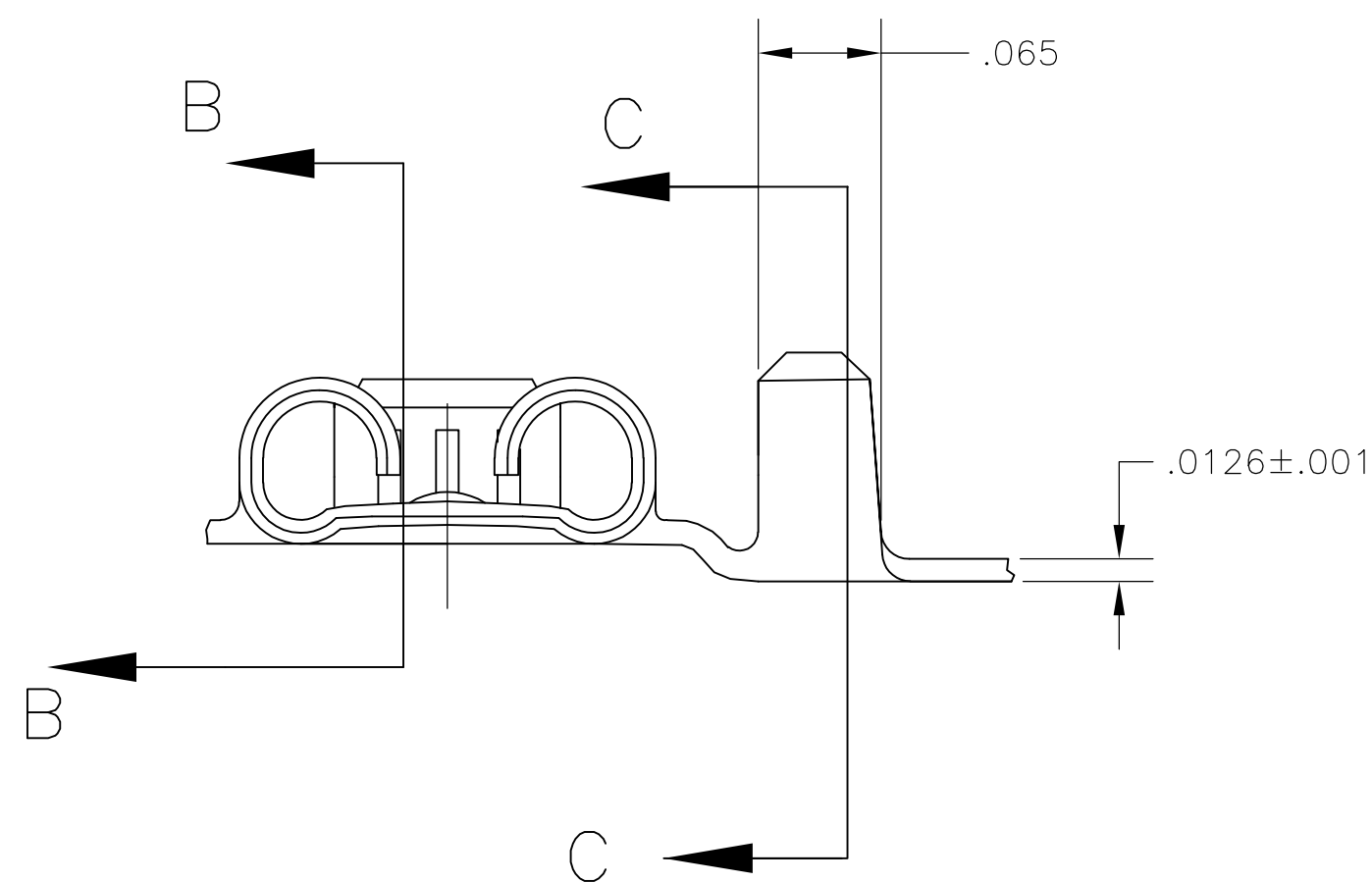
SECTION B-B



SECTION C-C

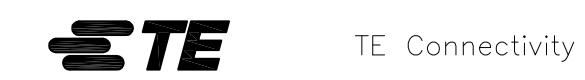


SECTION Y-Y



TIN	1742086-2
PLAIN	1742086-1
FINISH	PART NO

THIS DRAWING IS A CONTROLLED DOCUMENT.		DWN	JR RUTH	04mar04
DIMENSIONS: INCHES		CHK	P DESANTIS	04MAR04
TOLERANCES UNLESS OTHERWISE SPECIFIED:		APVD	P DESANTIS	04MAR04
0 PLC	± -	PRODUCT SPEC		
1 PLC	± -	APPLICATION SPEC		
2 PLC	± -	WEIGHT	-	
3 PLC	± .010	SIZE	A2	00779
4 PLC	± -	CAGE CODE	C=1742086	
ANGLES	± 2°	DRAWING NO	1742086	
MATERIAL	BRASS	RESTRICTED TO	-	
FINISH	-	SCALE	10:1	
CUSTOMER DRAWING		SHEET	1 of 1	
		REV	D	



RECEPTACLE, FASTON, FLAG, .187 SERIES