

# Customer Information Sheet

DRAWING No.: S7231-45R

IF IN DOUBT - ASK

©

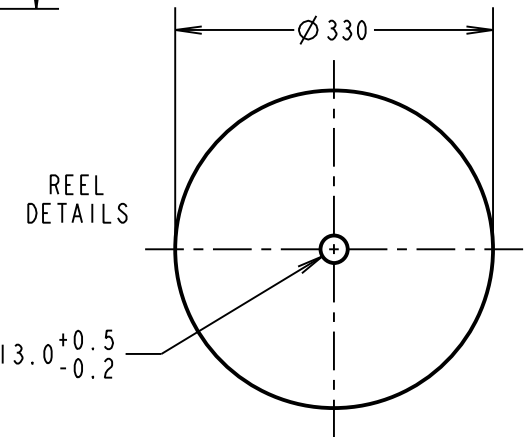
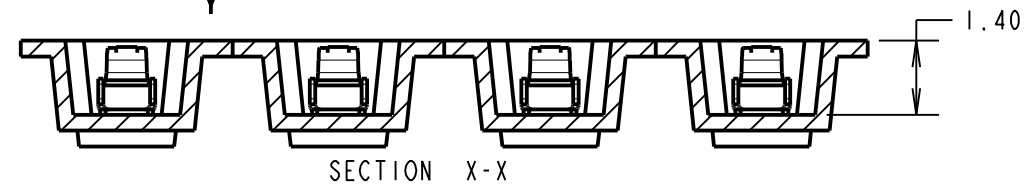
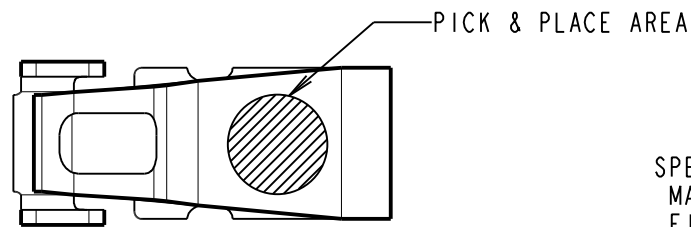
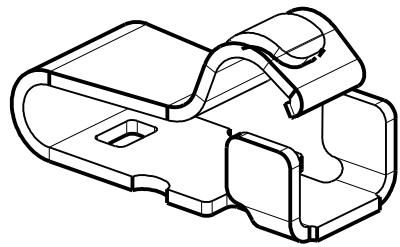
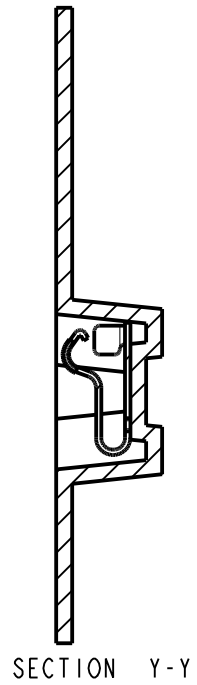
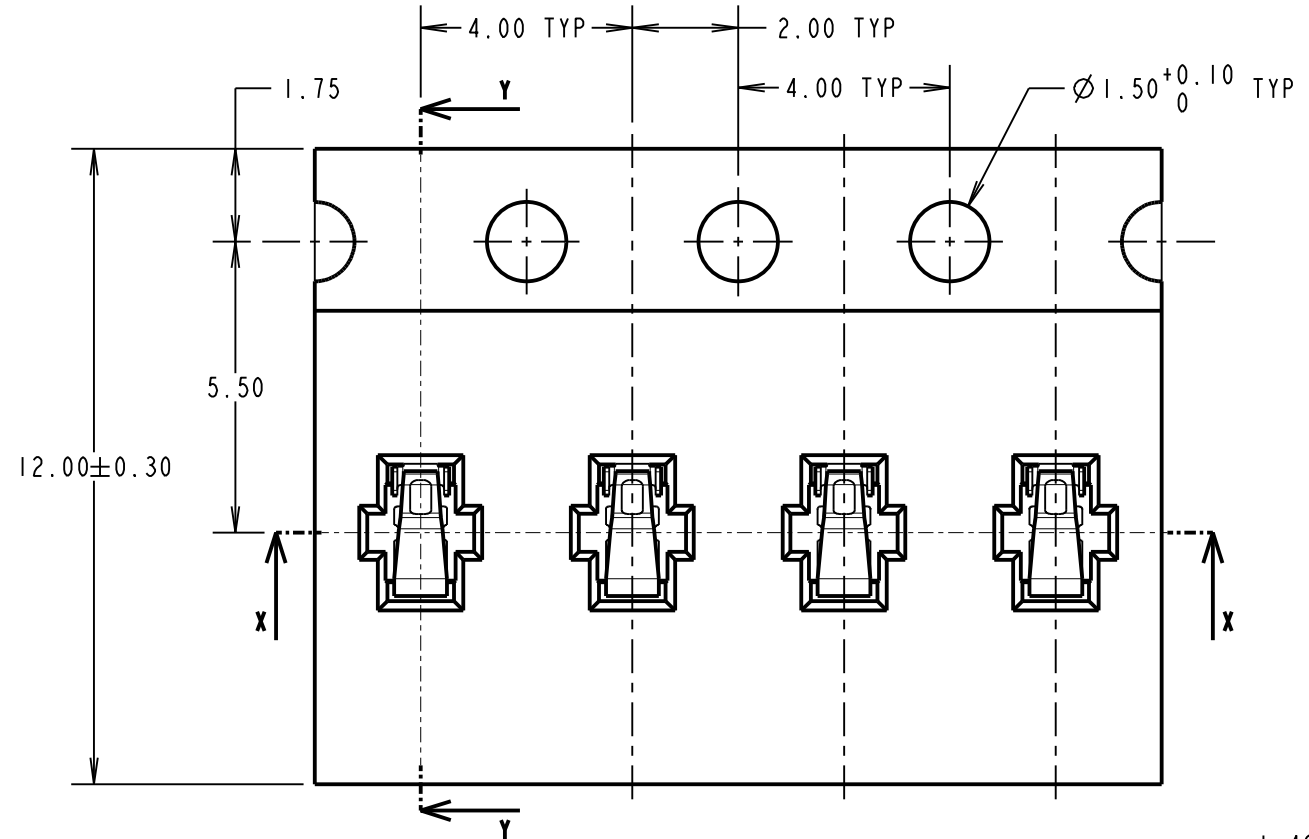
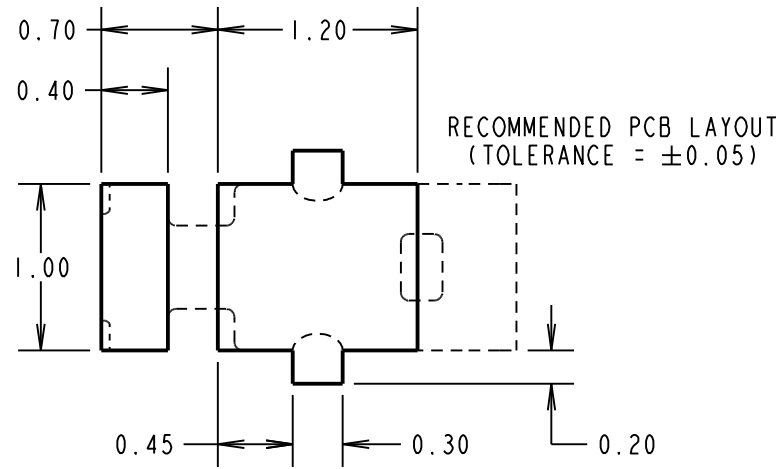
NOT TO SCALE

THIRD ANGLE PROJECTION

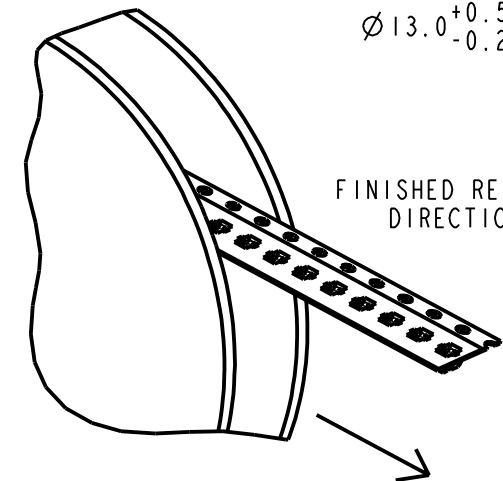
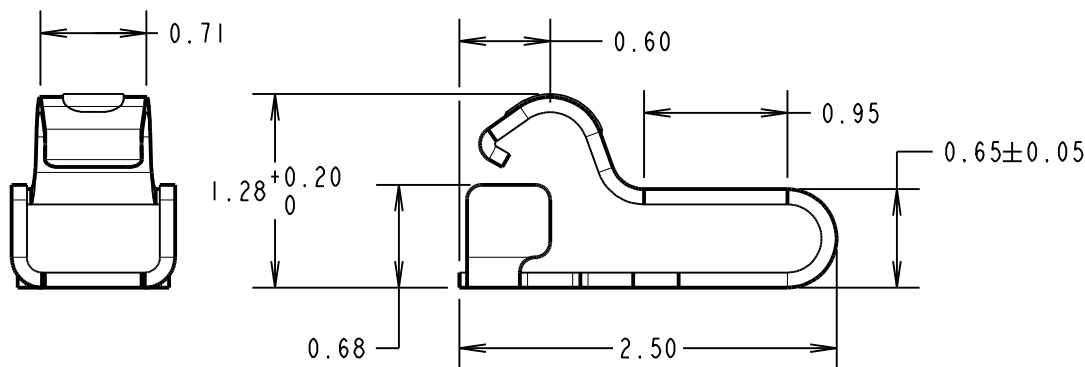
ALL DIMENSIONS IN mm

**NOTES:**

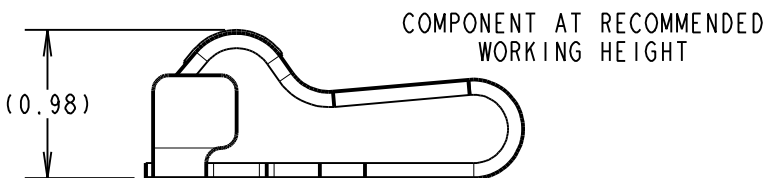
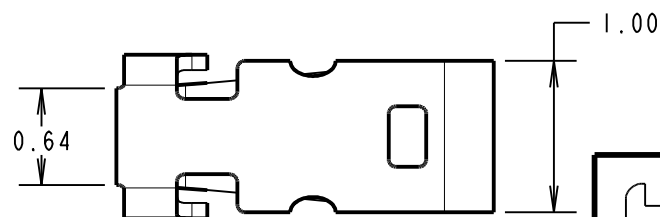
1. QUANTITY PER REEL = 10,000.
2. THIS PRODUCT IS TAPED AND REELED IN GENERAL ACCORDANCE WITH EIA-481-2 (ELECTRONICS INDUSTRIES ASSOCIATION).



**SPECIFICATION:**  
 MATERIAL = TITANIUM COPPER ALLOY, 0.08mm THICK  
 FINISH = 1.5µ-3.5µ NICKEL ALL OVER, 0.1µ GOLD ON TOP CONTACT AREA AND GOLD FLASH ON BASE  
**ELECTRICAL:**  
 CONTACT RESISTANCE = 50mΩ MAX  
 CURRENT RATING = 1A  
 VOLTAGE RATING = 250V AC  
**MECHANICAL:**  
 DURABILITY = 10,000 CYCLES  
 RECOMMENDED WORKING HEIGHT = 0.98mm / MIN FORCE = 0.39N  
 RECOMMENDED MINIMUM WORKING HEIGHT = 0.68mm  
**ENVIRONMENTAL:**  
 OPERATING TEMPERATURE = -40°C TO +85°C



COMPONENT DETAILS



MSP	2	30.11.15	13179
NAME	ISS.	DATE	C/NOTE
APPROVED:		M. PERREN	
CHECKED:		S. BENNETT	
DRAWN:		S. BENNETT	
CUSTOMER REF.:			
ASSEMBLY DRG.:			

**HARWIN**

www.harwin.com  
technical@harwin.com

THIS DRAWING AND ANY INFORMATION OR DESCRIPTIVE MATTER SET OUT HEREON ARE CONFIDENTIAL AND COPYRIGHT PROPERTY OF THE HARWIN GROUP AND MUST NOT BE DISCLOSED, LOANED, COPIED OR USED FOR MANUFACTURING, TENDERING OR FOR ANY OTHER PURPOSE WITHOUT THEIR WRITTEN PERMISSION.

**TOLERANCES**  
 X. = ±1mm  
 X.X = ±0.50mm  
 X.XX = ±0.10mm  
 X.XXX = ±0.01mm  
 ANGLES = ±5°  
 UNLESS STATED

**MATERIAL:**  
SEE ABOVE  
**FINISH:** SEE ABOVE  
**S/AREA:** mm<sup>2</sup>

**TITLE:** SMT SPRING CONTACT  
(1.28mm HIGH)  
IN TAPE AND REEL

**DRAWING NUMBER:** S7231-45R

SHT  
2 OF 2