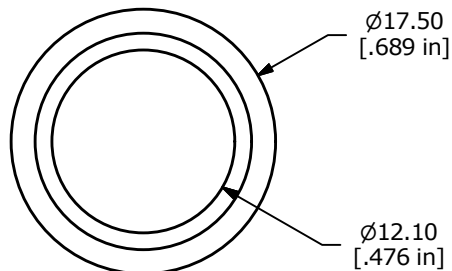
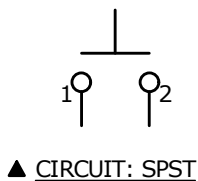


PANEL MOUNTING  
MAX. PANEL THICKNESS 4mm



SWITCH FUNCTION	
POS. 1	POS. 2
OFF	(ON)
OPEN	1-2

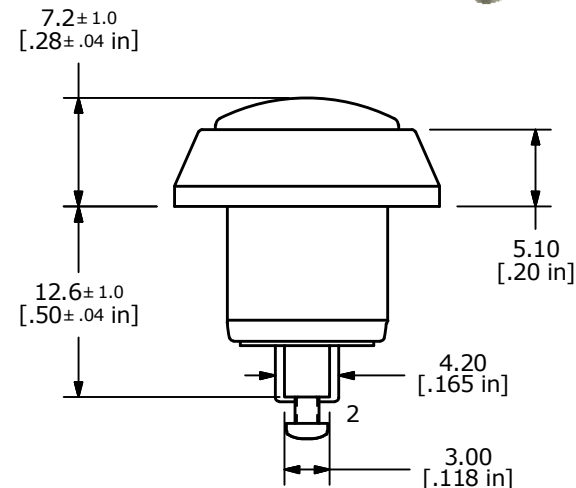
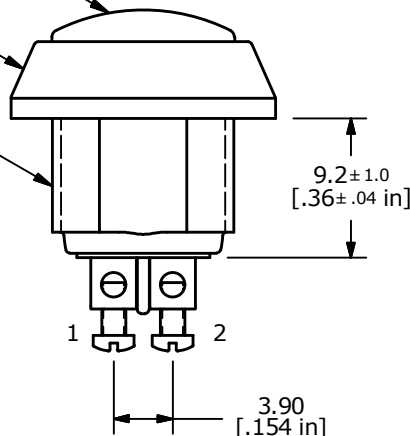
(ON) = MOMENTARY



▲ DOMED ACTUATOR  
COLOR: WHITE

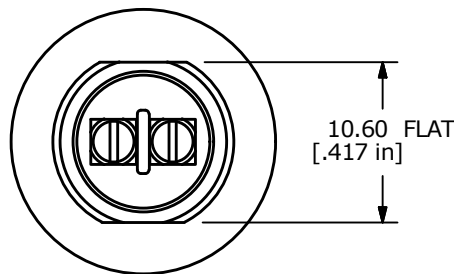
▲ BODY COLOR:  
BLACK ANODIZED

M12x1.0  
THREAD



NOTE:

- ALL DIMENSIONS IN MM [INCH]
- GENERAL TOLERANCE: X.X=±0.4  
X.XX=±0.25
- TERMINAL NUMBERS FOR REF ONLY
- ▲ CONTACT MATERIAL: SILVER
- RATING: 2A @ 36 VDC
- ELECTRICAL LIFE: 200,000 CYCLES
- CONTACT RESISTANCE: 50 mΩ MAX. @ 1A 12VDC (INITIAL)
- INSULATION RESISTANCE: 1,000 MΩ MIN. @ 500VDC.
- DIELECTRIC STRENGTH: 2,000 VAC rms.
- OPERATING TEMPERATURE: -20°C TO +70°C.
- PANEL THICKNESS MAX: 4.0 mm.
- INGRESS PROTECTION: IP65
- ▲ DENOTES CRITICAL PARAMETER.
- 2011/65/EU (ROHS) COMPLIANT
- ▲ 15. HARDWARE INCLUDED, 1 O-RING & 1 HEX NUT.(NOT SHOWN)



B	22668	UPDATED FLAT ALIGNMENT	1/9/17	MJR
A	00051	RELEASE FOR PRODUCTION	8/5/09	CAB
REV	PCR NO	DESCRIPTION	DATE	BY

TITLE PV5S64012				
SCALE 2:1	DATE 8/5/2009	DR CAB	DWG 52-PV5S64012	REV B

THE INFORMATION CONTAINED IN THIS DOCUMENT IS PROPRIETARY TO E-SWITCH AND IS NOT TO BE COPIED OR TRANSFERRED