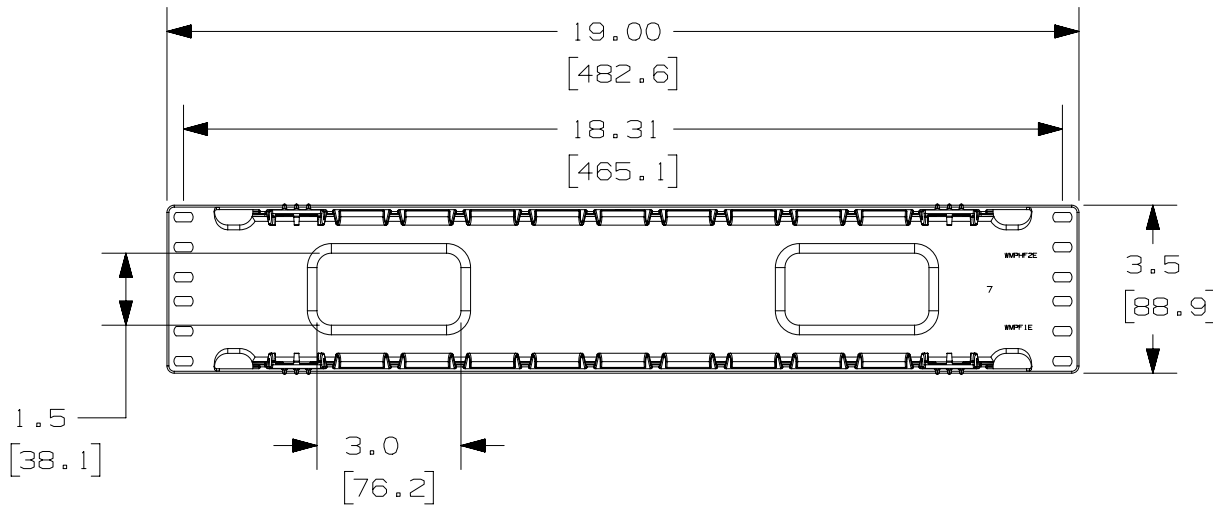


THIS COPY IS PROVIDED ON A RESTRICTED BASIS AND IS NOT TO BE USED IN ANY WAY DETRIMENTAL TO THE INTERESTS OF PANDUIT CORP.

2

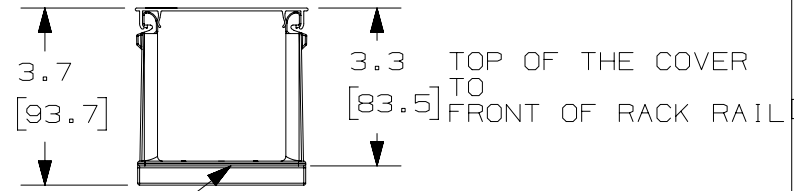
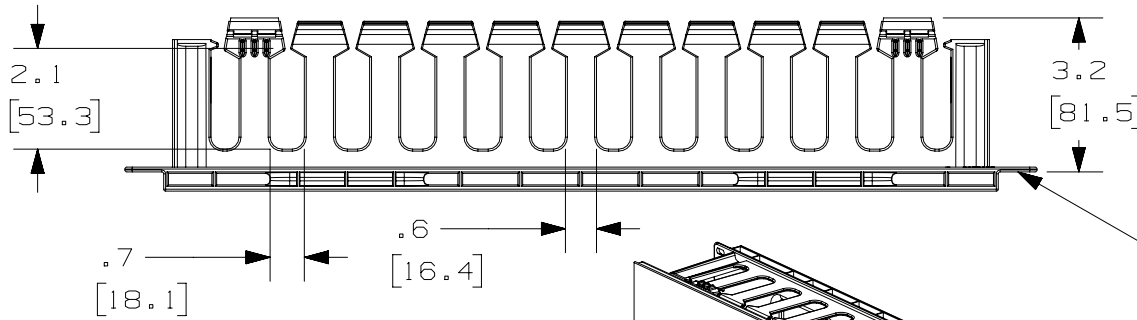
1



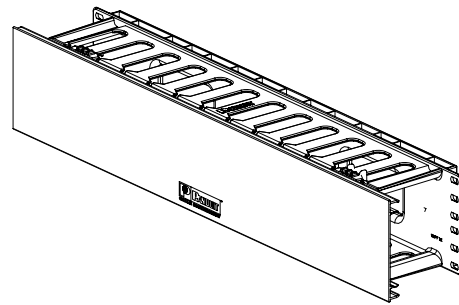
PANDUIT P/N	WEIGHT
WMPF1E	1.2 LBS/EACH 544 g/EACH
WMPF1E-X (10 PARTS/CARTON)	12.0 LBS/EACH 5.4 Kg/EACH

NOTES:

- DESIGNED FOR MOUNTING ON 19" EIA RACKS.
- COMPONENTS:
1- MANAGER
1- 17" X 3.6" DUAL HINGED COVER
- 4- #12-24 X 1/2" SCREWS
- DIMENSIONS IN PARENTHESES ARE METRIC.



SURFACE IN CONTACT WITH FRONT OF THE RACK RAIL



TITLE		WMPF1E HORIZONTAL MANAGER	
CUSTOMER DRAWING			
ITEM REVISION NAME	V10101AB/07	PANDUIT	
DATASET FILE NAME	V10101AB_DC/07A		
UNLESS OTHERWISE SPECIFIED, DIMENSIONAL TOLERANCES ARE: IN (mm)		MATERIAL:	
.XX ± .XXX ± ANGLES ±		ABS	
THIRD ANGLE PROJECTION		DRAWING NUMBER:	
V		V10101AB-DC	
DRAWN BY	DATE	CHK	SCALE
JDWE	12-17-02	MECA	NONE
REV	DATE	BY	CHK
07A	3-26-15	TWV	MACA
06F	4-22-13	BAME	RYB
APR	DESCRIPTION	ECN	
	BOM ADJUSTMENT; REVISED NOTES.	V10101AB-DC	
	REVISED AND REDRAWN; ALL PREVIOUS REVS OMITTED REVISED TITLE BLOCK	V10101AB-DC	
SHT 1 OF 1			A

2

1

D10100DA/15