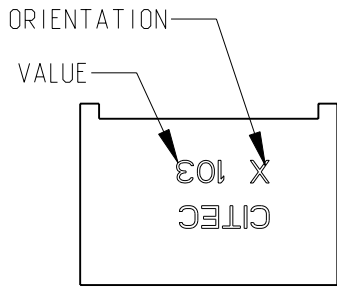
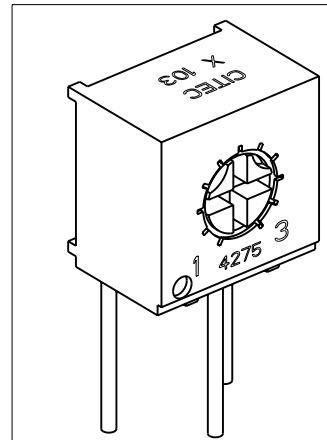
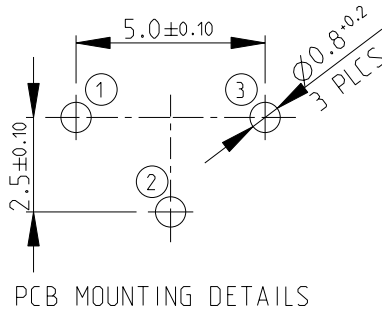
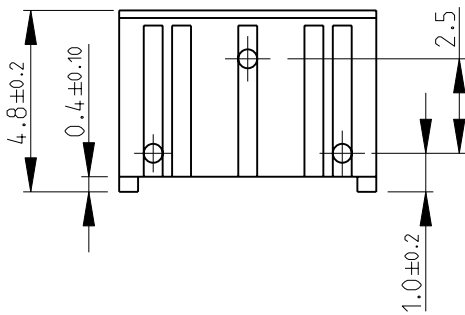
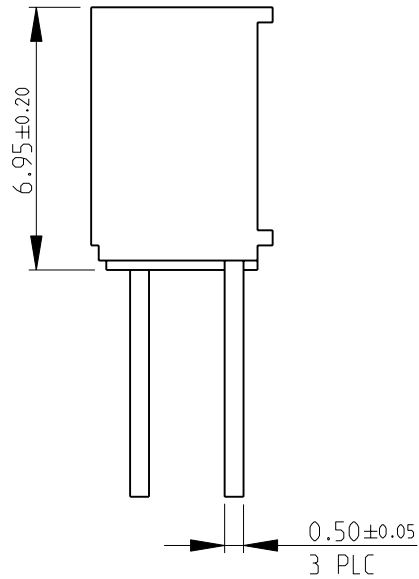
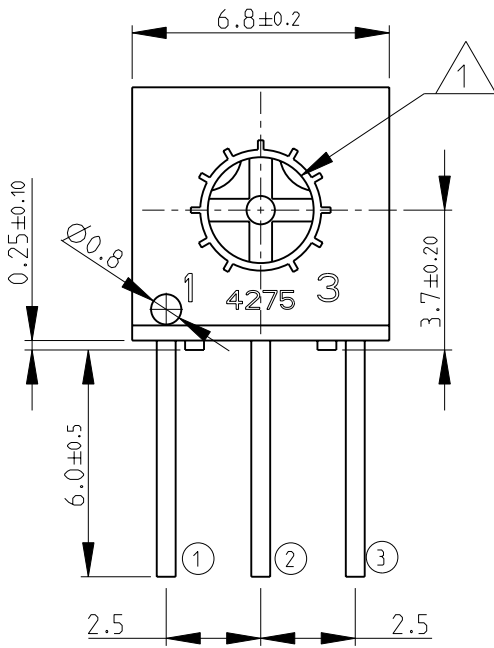
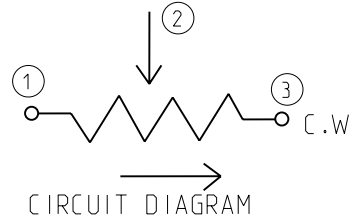


|          |           |           |     |             |         |     |      |
|----------|-----------|-----------|-----|-------------|---------|-----|------|
| LOC<br>E | DIST<br>B | REVISIONS |     |             | DATE    | DWN | APVD |
|          |           | P         | LTR | DESCRIPTION |         |     |      |
|          |           |           | BA  | NEW RELEASE | 25NOV09 | MRS | St.P |



1 SIDE ADJUSTMENT SLOT:  
Length- $2.8 \pm 0.2$ , Width- $0.6 \pm 0.1$ , Depth- $0.9 \pm 0.1$

2 FOR FURTHER INFORMATION SEE DATA SHEET  
FOR 4275 SERIES-PROFESSIONAL TRIMMERS



RoHS Compliant

2009

RELEASED FOR PUBLICATION

THIS DRAWING IS UNPUBLISHED.

BY TYCO ELECTRONICS CORPORATION. ALL RIGHTS RESERVED.

|  |                   |         |  |     |           |               |
|--|-------------------|---------|--|-----|-----------|---------------|
| DIMENSIONS:<br>mm                      | DWN<br>MAHARUDRA  | 25NOV09 | MATERIAL   | -   | FINISH    | -             |
|  | CHK<br>ALLAN.P    | 25NOV09 | Tyco Electronics Corporation<br>Dorcan, Swindon, SN3 5HH |     |           |               |
| TOLERANCES UNLESS OTHERWISE SPECIFIED: | APVD<br>STEPHEN.P | 25NOV09 |  |     |           |               |
| 0 PLC ±0.2                             | PRODUCT SPEC      | -       | NAME<br>PROFESSIONAL TRIMMERS<br>SERIES 4275X            |     |           |               |
| 1 PLC ±0.1                             | APPLICATION SPEC  | -       |  |     |           |               |
| 2 PLC ±-                               | WEIGHT            | -       | SIZE   | A 4 | CAGE CODE | C-1623902     |
| 3 PLC ±-                               |                   |         | DRAWING NO   |     |           | RESTRICTED TO |
| 4 PLC ±-                               |                   |         |  |     |           |               |
| ANGLES ±5°                             |                   |         |  |     |           |               |
| CUSTOMER DRAWING                       |                   |         | SCALE  | 5:1 | SHEET     | 1 OF 1        |
|  |                   |         |  |     | REV BA    |               |