

# Features Evaluation Module Accessory

- Accessory for the R-78S3.3-0.1-EVM-1
- Mates with STLCS01V1

**RECOM**  
Evaluation Module  
Accessory

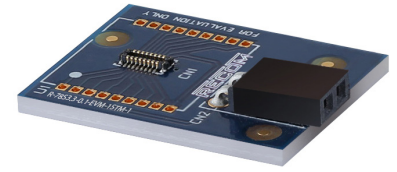
R-78S3.3-0.1-EVM-1/STM-1

## Description

The R-78S3.3-0.1-EVM-1/STM-1 is a breakout board developed to be used with an ST Microelectronics STEVAL STLCS01V1 SensorTile <sup>(1)</sup> module and the R-78S3.3-0.1-EVM-1 evaluation module to demonstrate IoT applications using the SensorTile module. Functions of the SensorTile module include MEMS digital microphone, 3D accelerometer and gyroscope, 3D magnetometer, MEMS atmospheric pressure sensor and ambient temperature.

### Notes:

Note1: The STEVAL STLCS01V1 from ST Microelectronics is not provided by RECOM.



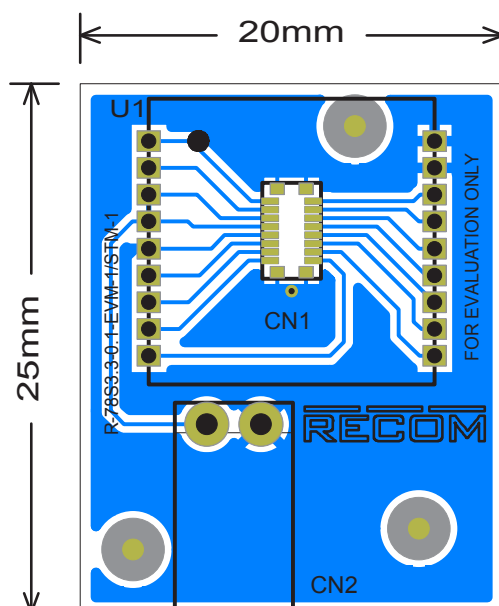
## Quick Start Guide

- Insert the AA battery into the battery holder.
- Insert the SensorTile module onto the R-78S3.3-0.1-EVM-1/STM-1, and plug into header J7 (refer to picture R-78S3.3-0.1-EVM-1/STM-1 with the SensorTile for correct orientation).
- Turn on using the switch on the R-78S3.3-0.1-EVM-1 (Note: to reduce the power consumption, no indicator LED is fitted). Remember to switch off to conserve the battery.
- To connect with the SensorTile module, download and install the ST BlueMS App on your mobile phone and touch "START SCANNING".



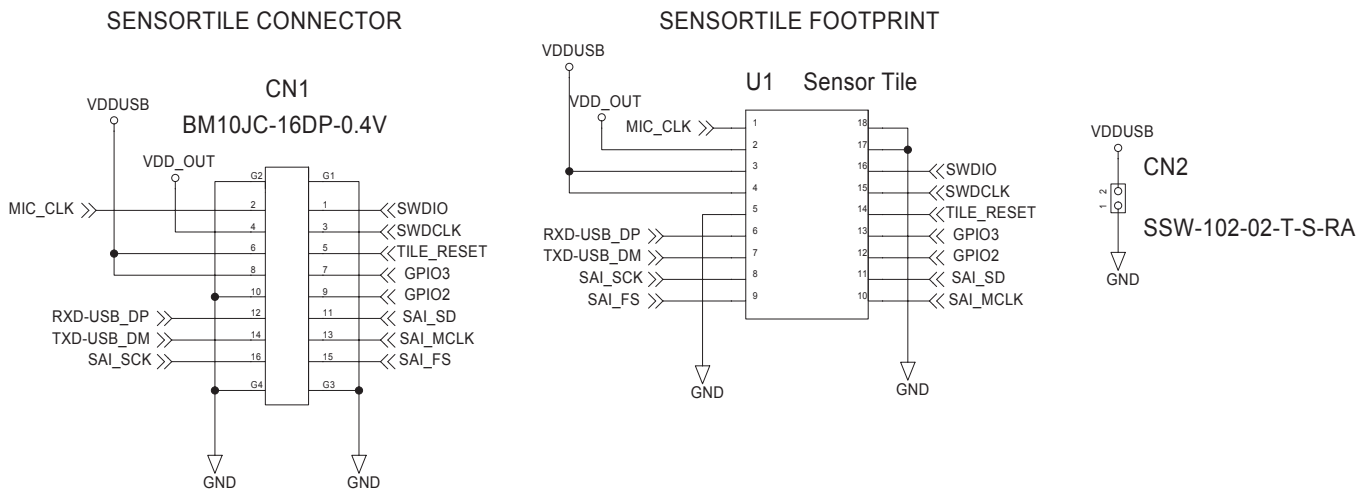
- This breakout board only connects to the power terminals of the SensorTile module.
- Communication is via Bluetooth (App available from ST).
- The vias (U1) mate with the SensorTile to connect to the snap-in connector CN1. They can also be used as measuring points if needed.

## Layout

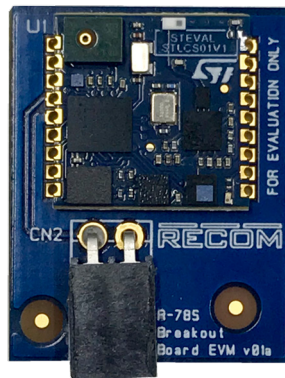


[www.recom-power.com/eval-ref-boards](http://www.recom-power.com/eval-ref-boards)

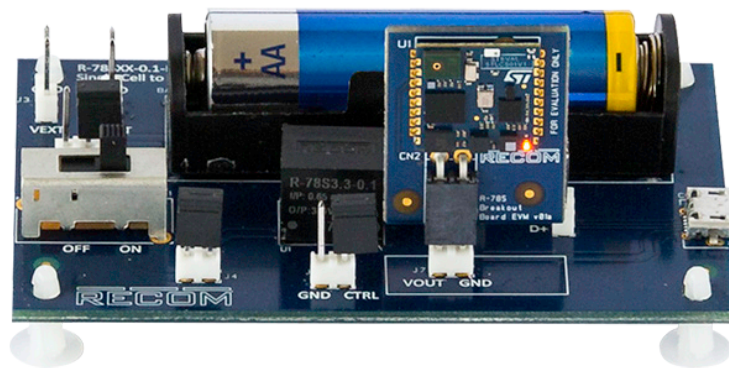
## Schematic



R-78S3.3-0.1-EVM-1/STM-1 with the SensorTile



Assembled R-78S3.3-0.1-EVM-1/STM-1 on the R-78S3.3-0.1-EVM-1



The product information and specifications may be subject to changes even without prior written notice. The product has been designed for various applications; its suitability lies in the responsibility of each customer. The products are not authorized for use in safety-critical applications without RECOM's explicit written consent. A safety-critical application is an application where a failure may reasonably be expected to endanger or cause loss of life, inflict bodily harm or damage property. The applicant shall indemnify and hold harmless RECOM, its affiliated companies and its representatives against any damage claims in connection with the unauthorized use of RECOM products in such safety-critical applications.