

# SPECIFICATIONS

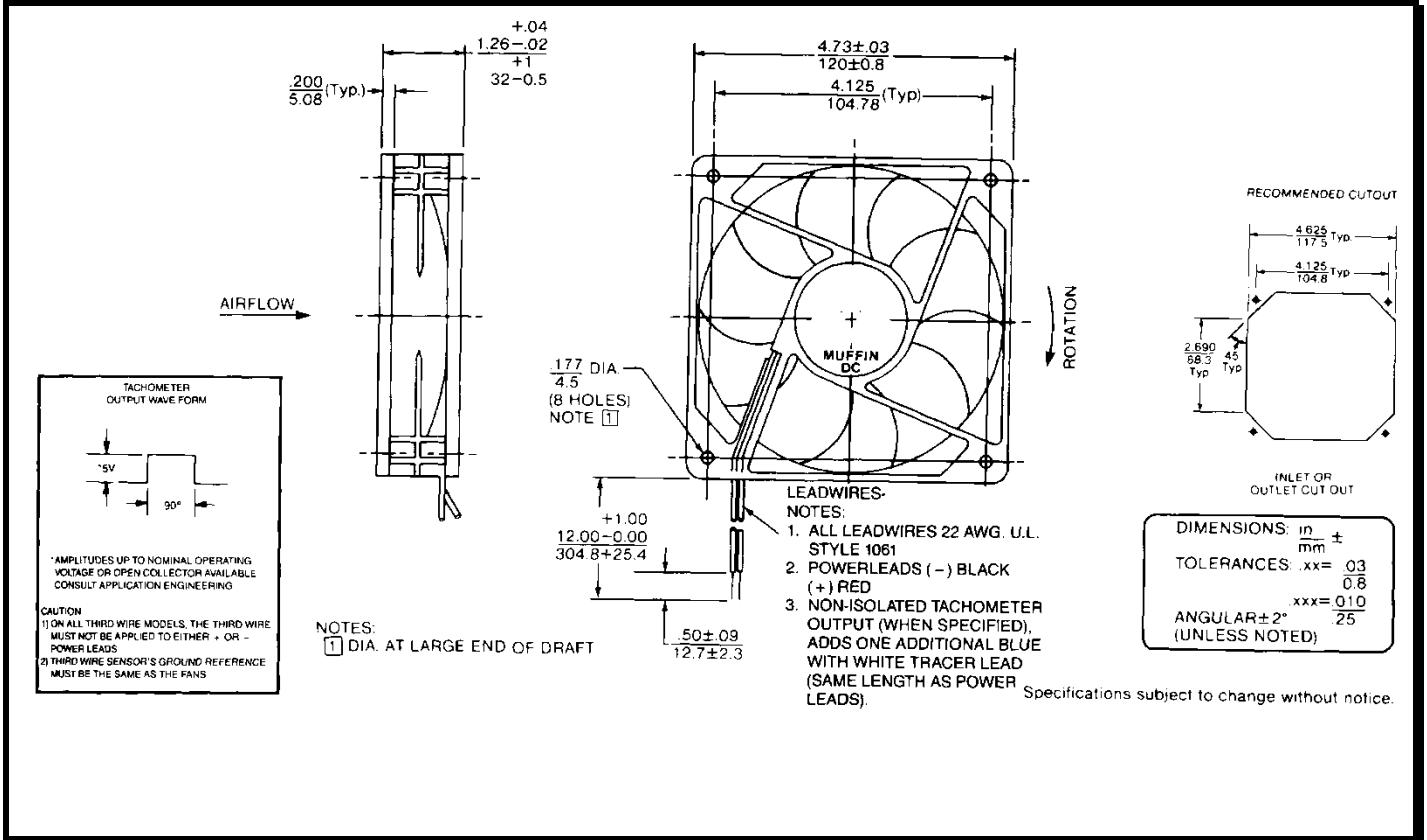
(RoHS Compliant)

Model Number: MC48B3  
Part Number: 19030573A

SPEC NUMBER: 26014019A01  
Jan.01.2013



## Mechanical Drawing:



### Motor:

Nominal Voltage = 48 vdc  
Operating Voltage Range = 24 - 56 vdc  
Nominal Running Current = 0.180 amps  
Locked Rotor Current = 0.450 amps  
Running Power = 8.4 watts  
Average Speed = 3700 RPM  
Bearings = Ball  
Air Flow = 102 CFM  
Acoustic = 47.8 dBA

### Construction:

Venturi: Glass filled nylon, black, UL 94V-0  
Propeller: Plastic, Black, UL 94V-0

### Life Expectancy:

This fan is designed for continuous duty life of 75,000 hours at 40°C.

### Additional Features:

Brushless DC Motor  
Polarity Protected  
Electronic Locked Rotor Protection  
Automatic Restart Capability  
Operating Temperature: -10°C to 70°C  
Storage Temperature: -40°C to 85°C

### Termination:

12" Lead wires, 22AWG, UL 1061  
Red - Power  
Black - Return

### Agency Approvals:

UL