

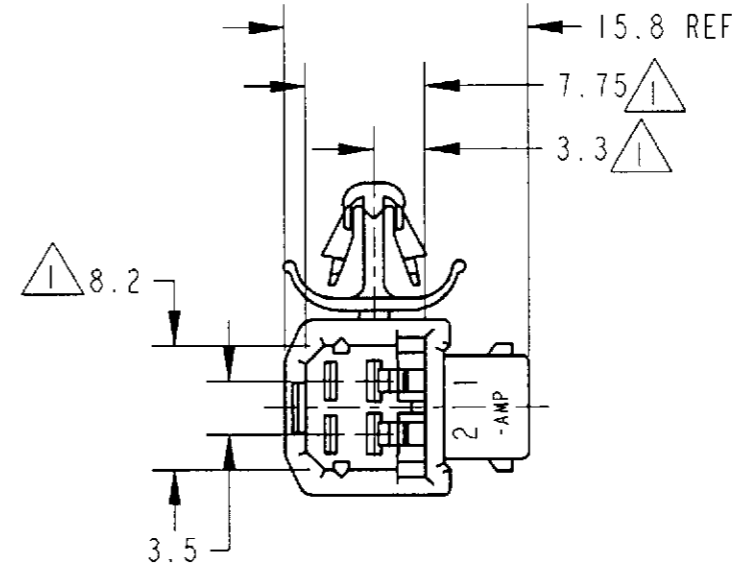
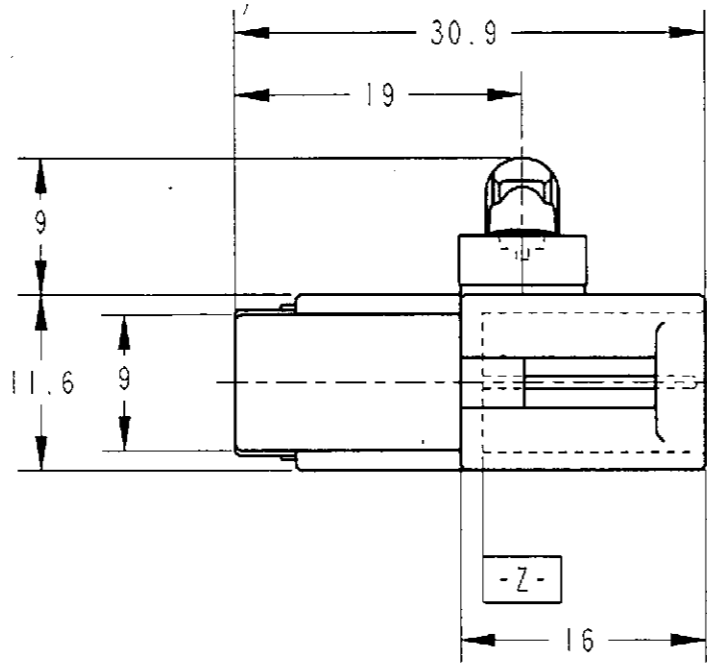
THIS DRAWING IS UNPUBLISHED.

RELEASED FOR PUBLICATION

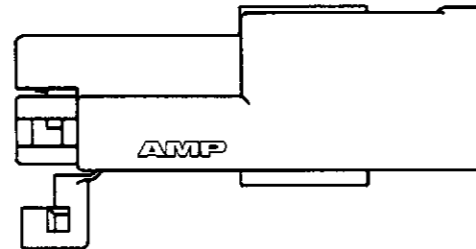
© COPYRIGHT 19

BY AMP INCORPORATED. ALL RIGHTS RESERVED.

LOC	DIST	REVISIONS						
		P	LTR	DESCRIPTION	ECN	DATE	DWN	APVD
J	-		0	RELEASED	FJ00-0217-99	10Feb99	K.S	M.T



-1: AS SHOWN  
-1: 本図



- 1 MUST BE KEPT BETWEEN DATUM Z AND mm.
- 2 THE MATING PLUG HOUSING PART NUMBER 174463.
- 3 APPLIED CONTACT P/N 173633, 173645.
- 4 MOUNTING PANEL HOLE:  $5 \pm 0.1$ mm DIA  
PANEL THK: 0.7~2mm

- 1 DATUM Z より2mmの範囲で決定
- 2 嵌合相手ハウジング型番: 174463
- 3 内装するタブ コンタクト型番: 173633, 173645
- 4 相手取付け穴:  $\phi 5 \pm 0.1$ mm  
パネル板厚: 0.7~2mm

THIS DRAWING IS A CONTROLLED DOCUMENT FOR AMP INCORPORATED. IT IS SUBJECT TO CHANGE AND THE CONTROLLING ENGINEERING ORGANIZATION SHOULD BE CONTACTED FOR THE LATEST REVISION.		DWH K. SAKAMAKI	10Feb99	WIRE RANGE 対応電線断面積		INSULATION DIA 被覆外径	
DIMENSIONS: 単位: mm		CHK //		AMP		AMP (JAPAN), LTD. Kawasaki, Japan	
TOLERANCES UNLESS OTHERWISE SPECIFIED: 一般公差 = $\pm 0.5$		APVD M. TSUKAKOSHI	10Feb99	NAME 2 POS CAP HOUSING (PANEL MOUNT TYPE FOR DIA 5MM HOLE) 070 SERIES MULTI LOCK CONN			
0-PLC $\pm$		PRODUCT SPEC 108-5264		SIZE A3	CAGE CODE 00779	DRAWING NO C=1318444	RESTRICTED TO -
1-PLC $\pm 0.1$		APPLICATION SPEC 取付適用規格 114-5092		WEIGHT 2.4g		SCALE 尺度 2:1	SHEET 1 OF 1
2-PLC $\pm 0.01$		MATERIAL PBT	FINISH 仕上 NATURAL	CUSTOMER DRAWING		REV 0	
3-PLC $\pm 0.001$							
4-PLC $\pm 0.0001$							
ANGLES $\pm 1'00''$							