

10 9 8 7 6 5 4 3 2 1

F

F

E

E

D

D

C

C

B

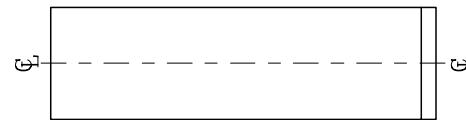
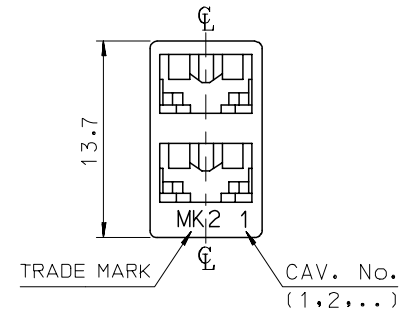
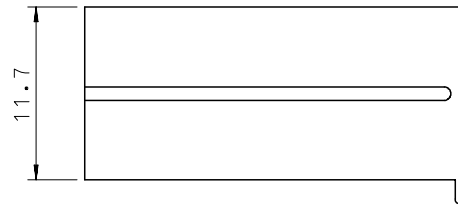
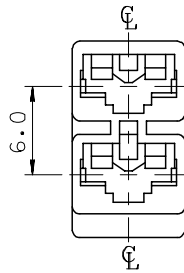
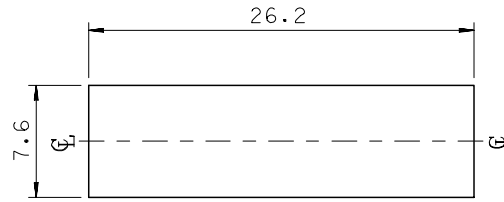
B

A

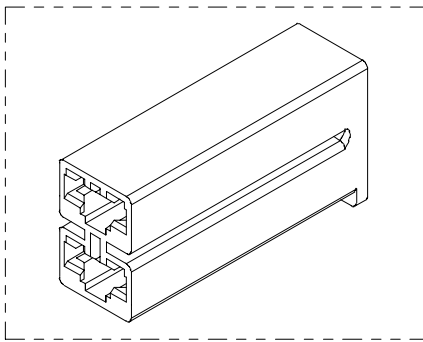
A

NOTES

1. MATERIAL : NYLON
2. COLOR: 35189-0200 NATURAL  
35189-0202 RED  
35189-0203 YELLOW  
35189-0204 BLUE
3. APPLICABLE TERMINAL:35068-9\*\*2
4. GENERAL TOLERANCE:±0.3



ISOMETRIC VIEW



REVISED EC NO: KOR2008-0083 DRWN: JHPARK01 2007/11/07 CHKD: W. YANG 2007/11/07 APPR: YUNSIKKIM 2007/11/07	DESCRIPTION QUALITY SYMBOLS ▽=0 ◻=0	GENERAL TOLERANCES (UNLESS SPECIFIED)		DIMENSION STYLE MM ONLY		SCALE 3:1	DESIGN UNITS METRIC	THIRD ANGLE PROJECTION		
				mm	INCH	DRAWN BY JS. KANG	DATE	TITLE .187 P-LOCK HSG-2P (6MM PITCH)		
		4 PLACES	± ---	± ---		CHECKED BY	DATE			
		3 PLACES	± ---	± ---		APPROVED BY	DATE			
		2 PLACES	± ---	± ---			MOLEX INCORPORATED			
		1 PLACE	± 0.3	± ---			MATERIAL NO. DOCUMENT NO. SHEET NO. SEE NOTES SD-35189-0200 1 OF 01			
		ANGULAR ± 1 °			DRAFT WHERE APPLICABLE MUST REMAIN WITHIN DIMENSIONS					
		THIS DRAWING CONTAINS INFORMATION THAT IS PROPRIETARY TO MOLEX INCORPORATED AND SHOULD NOT BE USED WITHOUT WRITTEN PERMISSION								

9 8 7 6 5 4 3 2 1