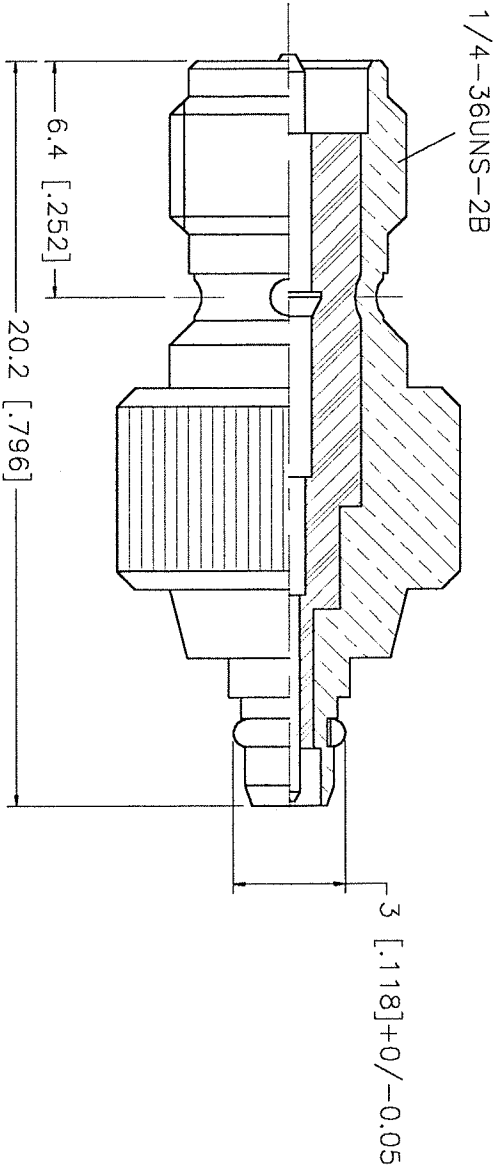


REV.	DATE	DESCRIPTION
NC	05/11/99	INITIAL RELEASE



DESCRIPTION	MATERIAL	FINISH	UNLESS OTHERWISE SPECIFIED DIMENSIONS ARE IN MILLIMETERS FOR CUSTOMER REFERENCE ONLY	APPROVALS	DATE	TITLE	SCALE	PART NO.	SHEET	REV.	
1 HOUSING	BRASS	GOLD	UNLESS OTHERWISE SPECIFIED DIMENSIONS ARE IN MILLIMETERS FOR CUSTOMER REFERENCE ONLY UNLESS OTHERWISE SPECIFIED DIMENSIONS IN [] ARE IN INCHES TOLERANCES FOR MILLIMETERS ARE: 0.5-6 = ± 0.2 6-30 = ± 0.4 30-120 = ± 0.6 120-315 = ± 1 315-1000 = ± 1.6 1000-2000 = ± 2.4	DRAWN G.R.S.	05/11/99	Comnetex Connector Corporation SMA (REVERSE POLARIZED) JACK TO MCX PLUG ADAPTOR	A	99001	242141RP	NC	
2 INSULATOR	TEFLON	NATURAL		CHECKED				FROM NO.			
3 CONTACT PIN	BRASS	GOLD		ISSUED				DWG. NO.			
4 RETAINER RING	BER. COPPER	GOLD									
5											
6											
7											
8				DO NOT SCALE DRAWING							