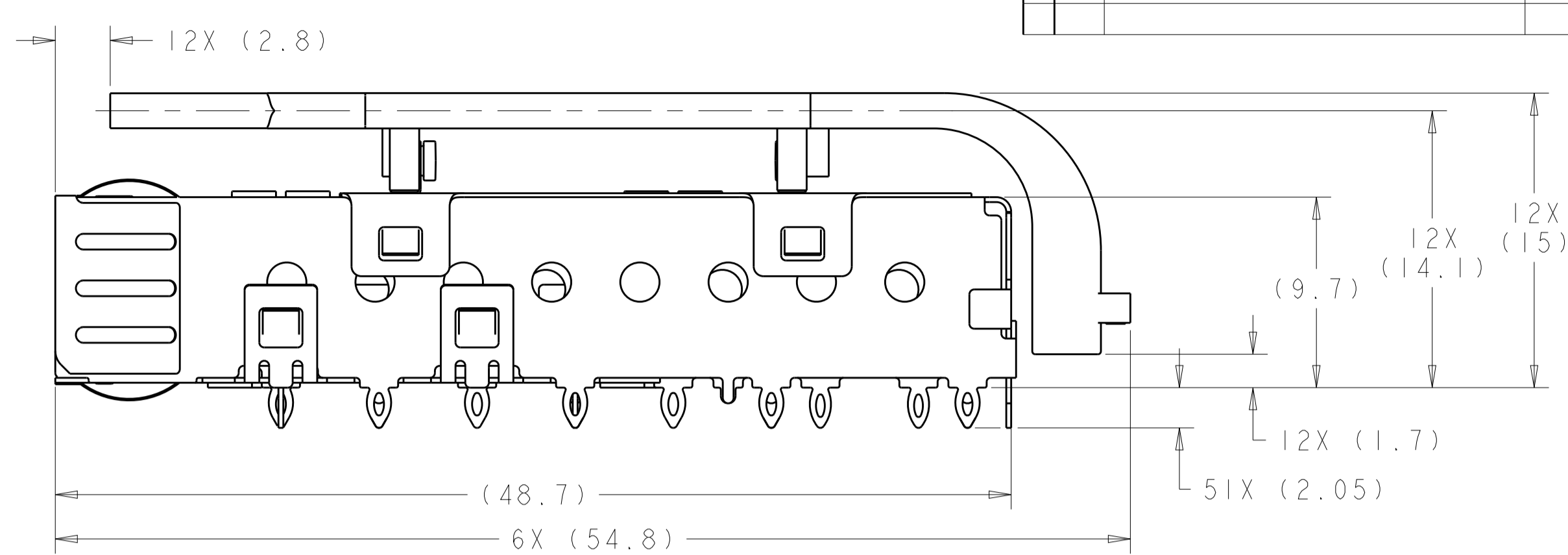
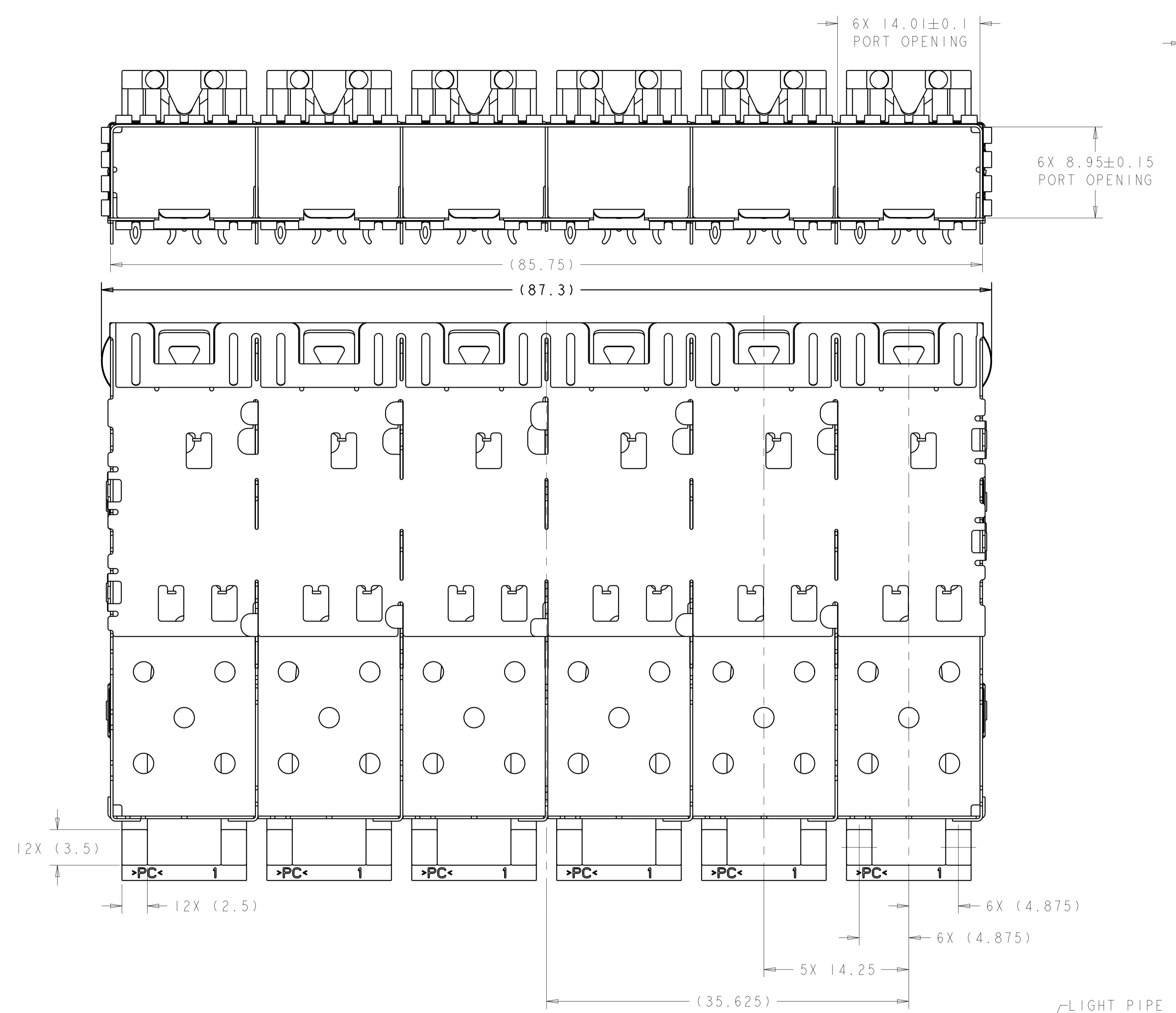
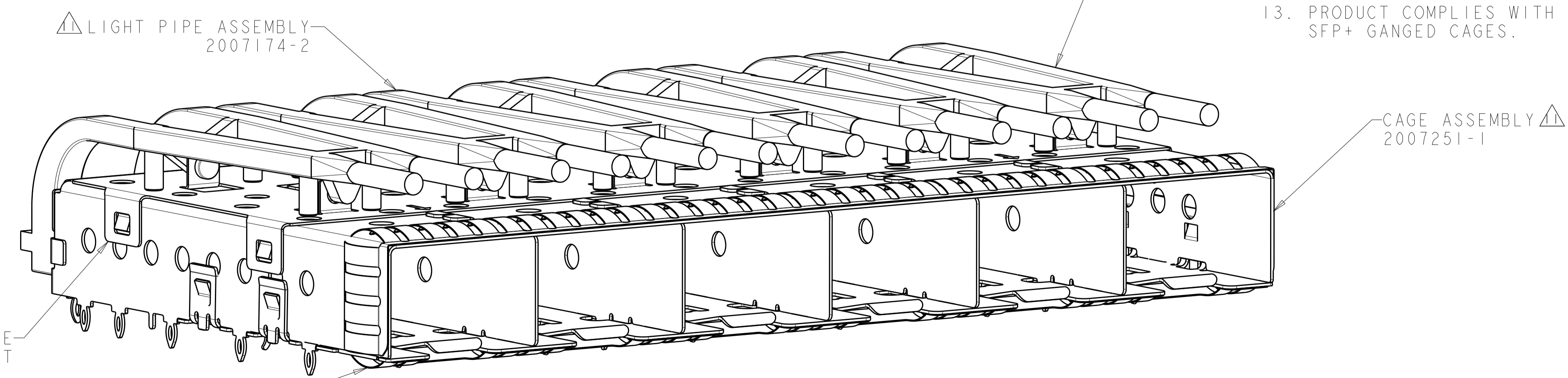


| LOC | DIST | REVISIONS | | | |
|-----|------|-------------|----------|-----------|-------|
| P | LTN | DESCRIPTION | DATE | DWN | APVD |
| GP | 00 | A | RELEASED | 26FEB2016 | JW SH |



- 1. MATERIAL:
CAGE ASSEMBLY: 0.25mm THICK NICKEL SILVER ALLOY.
LIGHT PIPE CLIP: STAINLESS STEEL
LIGHT PIPE: POLYCARBONATE, CLEAR
- 2. FINISH:
SPRINGS: MINIMUM OF 0.8um TIN PLATE OVER A MINIMUM OF 0.8um NICKEL UNDERPLATE.
NON-PLATED EDGES PERMISSIBLE.
- 3. MATES WITH SFP MSA COMPLIANT TRANSCEIVERS.
- 4. PADS AND VIAS CHASSIS GROUND.
- 5. INTERPRETATION OF DATUM REFERENCE FRAME IN ACCORDANCE WITH SECT 4.4.1.1 OF ASME Y14.5M-1994.
- 6. MINIMUM PCB BOARD THICKNESS:
SINGLE SIDED = 1.50
DOUBLE SIDED = 2.25
- 7. HOLE PATTERN REPEATS FOR EACH PORT. SPACING BETWEEN PORTS IS 14.25mm.
- 8. DATUM AND BASIC DIMENSION ESTABLISHED BY CUSTOMER.
- 9. REFERENCE APPLICATION SPEC. 114-13120, HOLE A, FOR RECOMMENDED DRILL HOLE DIAMETER AND PLATING THICKNESS.
- 10. REFERENCE APPLICATION SPEC. 114-13120, HOLE B, FOR RECOMMENDED DRILL HOLE DIAMETER AND PLATING THICKNESS.
- 11. LIGHT PIPE ASSEMBLY SHIPPED UNASSEMBLED TO CAGE ASSEMBLY. CAGE ASSEMBLY TO BE PRESSED INTO THE PCB PRIOR TO ATTACHING THE LIGHT PIPE ASSEMBLY TO THE CAGE.
- 12. CERTAIN MATING TRANSCEIVERS MAY REQUIRE ADDITIONAL PCB THICKNESS THAT WOULD NEED TO BE DETERMINED BY THE CUSTOMER.
- 13. PRODUCT COMPLIES WITH SPECIFICATION SFF-8433 IMPROVED PLUGGABLE FORM FACTOR FOR SFP+ GANGED CAGES.



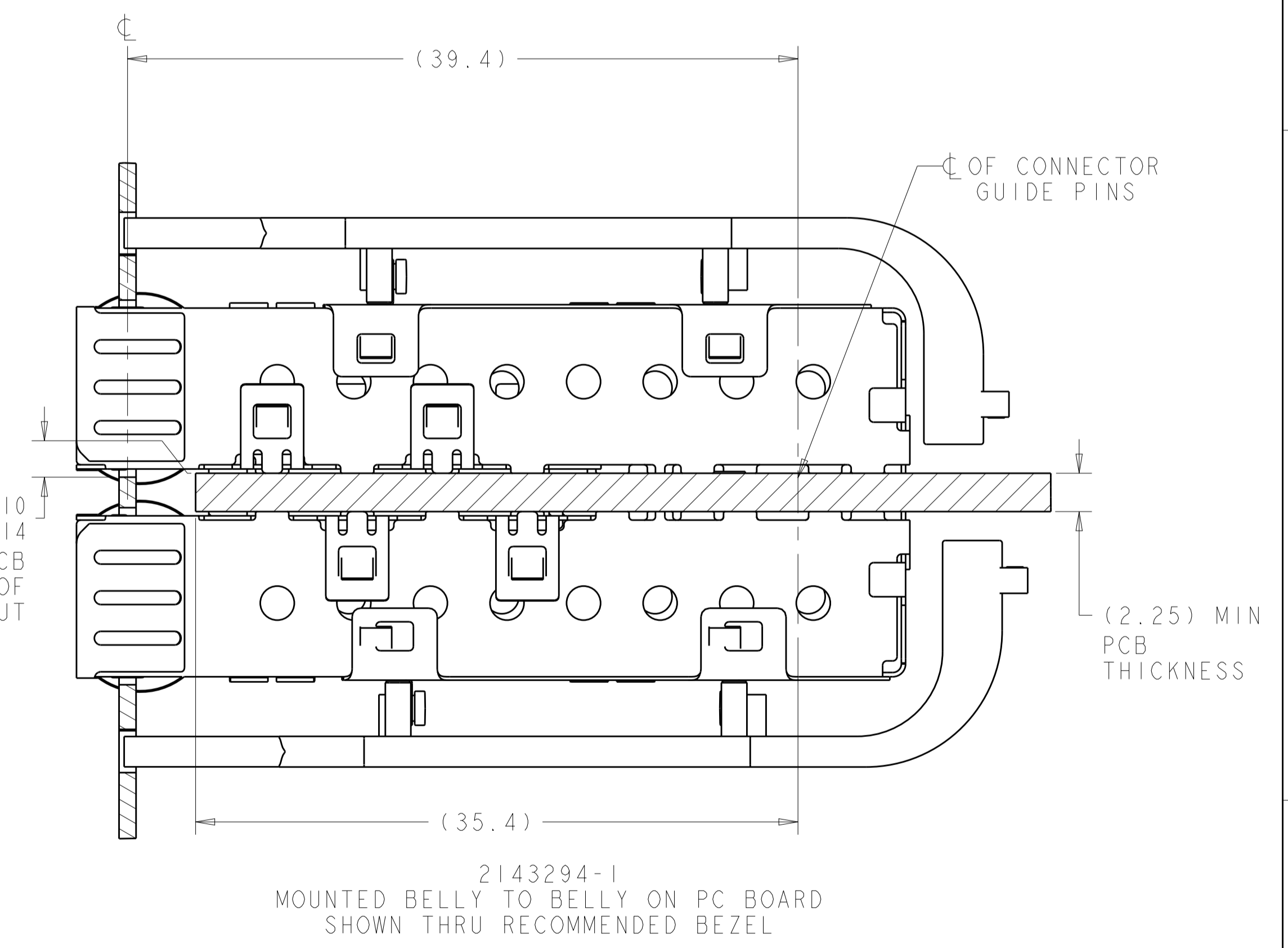
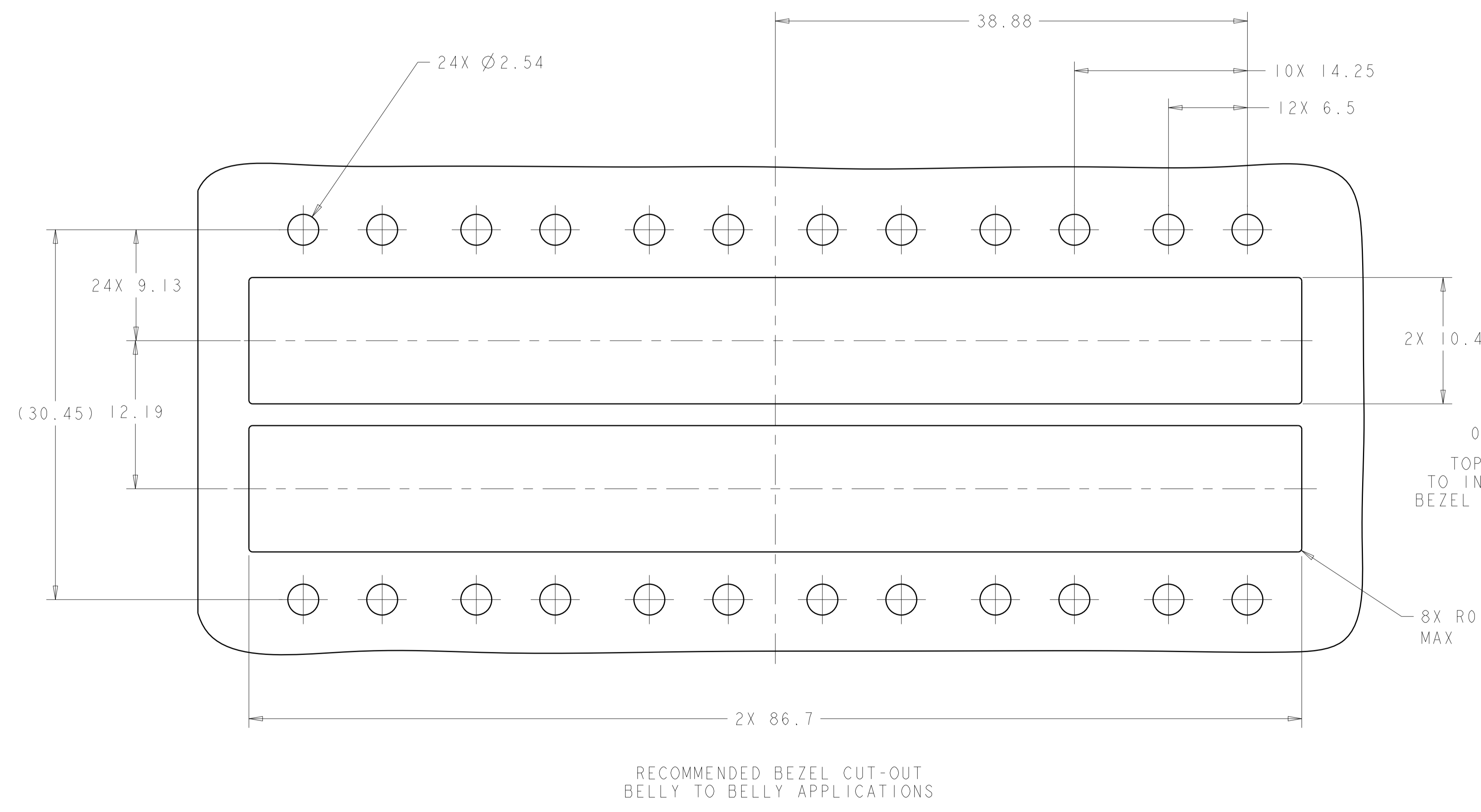
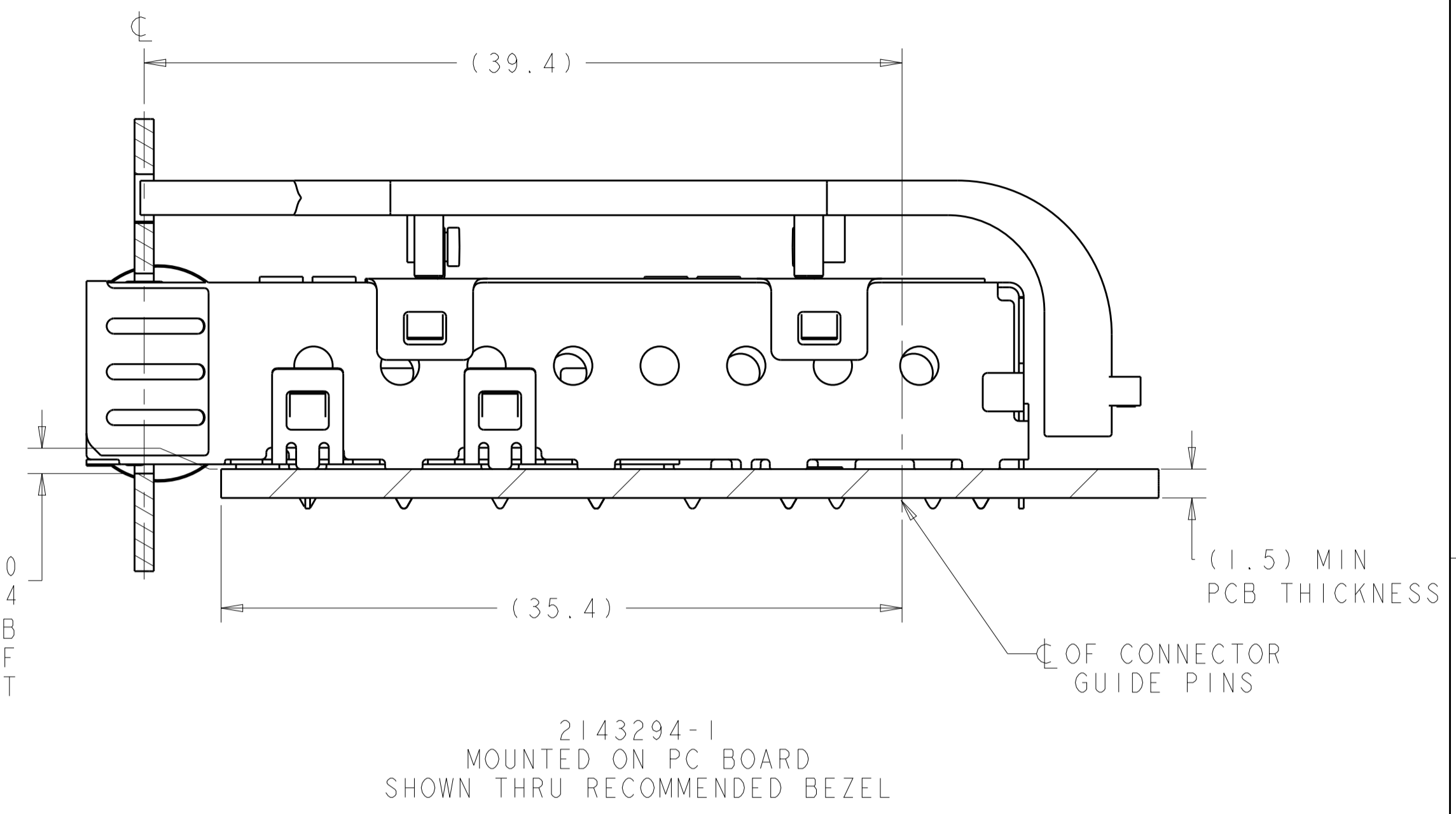
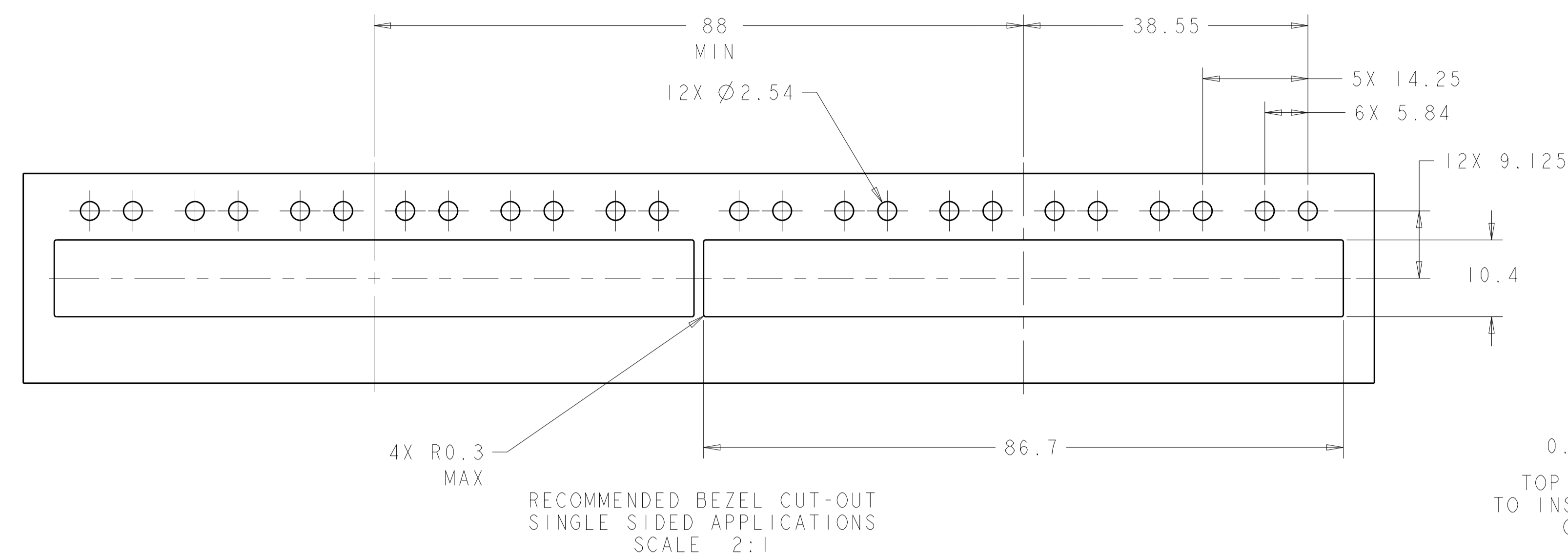
2143294-1
FINISHED ASSEMBLY
SCALE 4:1

2143294-1
PART NUMBER

| | | | |
|--|--|-----------------------------|---------------------------------|
| THIS DRAWING IS A CONTROLLED DOCUMENT. | | DWN: C. ROHLER 24FEB2010 | TE Connectivity |
| DIMENSIONS: mm | | CHK: M. SCHMITT 24FEB2010 | |
| TOLERANCES UNLESS OTHERWISE SPECIFIED: | | APVD: B. WERTZ 24FEB2010 | NAME: SFP+ 1X6 CAGE ASSEMBLY |
| 0 PLC ±0.1 | | PRODUCT SPEC: 108-2364 | PRESS FIT, EXTERNAL EMI SPRINGS |
| 1 PLC ±0.1 | | APPLICATION SPEC: 114-13120 | WITH REDUCED LENGTH LIGHT PIPES |
| 2 PLC ±0.1 | | SIZE: A1 | RESTRICTED TO |
| 3 PLC ±0.1 | | WEIGHT: - | SCALE: 4:1 |
| 4 PLC ±0.1 | | CUSTOMER DRAWING | SHEET 1 OF 4 |
| ANGLES ±1° | | | REV A |
| FINISH: ±1° | | | |

| LOC | DIST | REV | DATE | BY | APPD |
|-----|------|-----|------|----|------|
| GP | 00 | | | | |

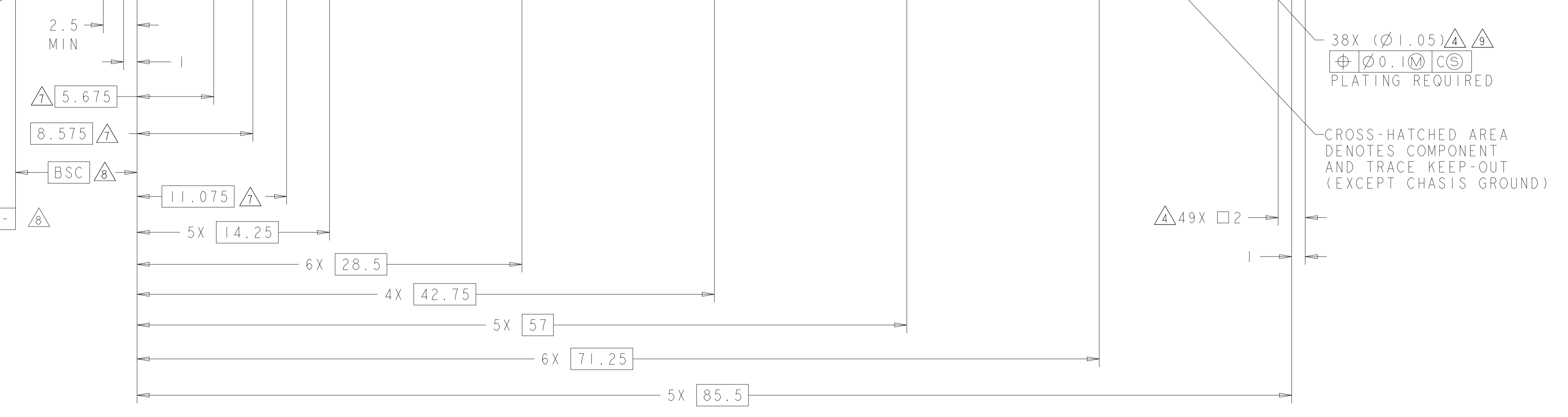
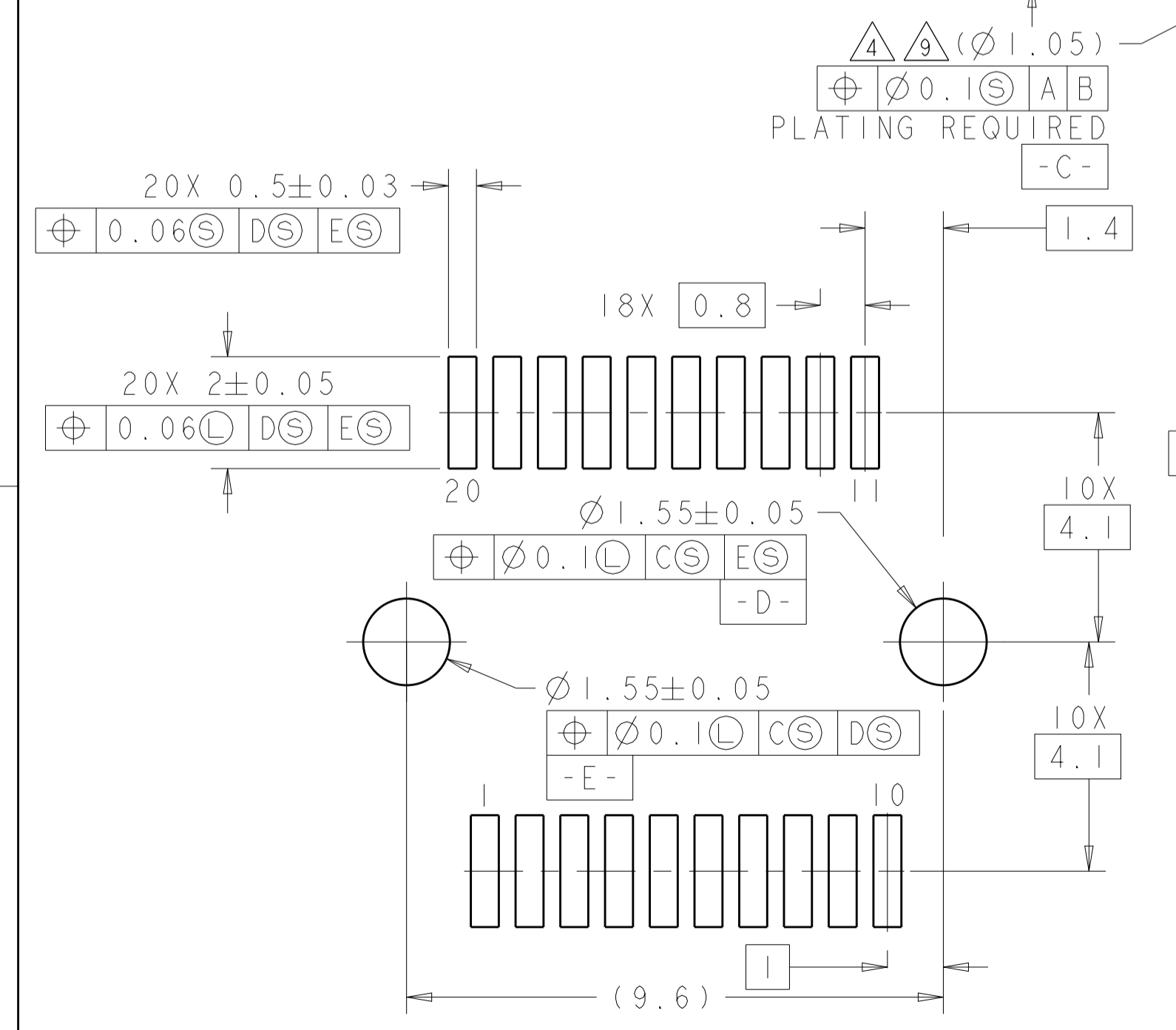
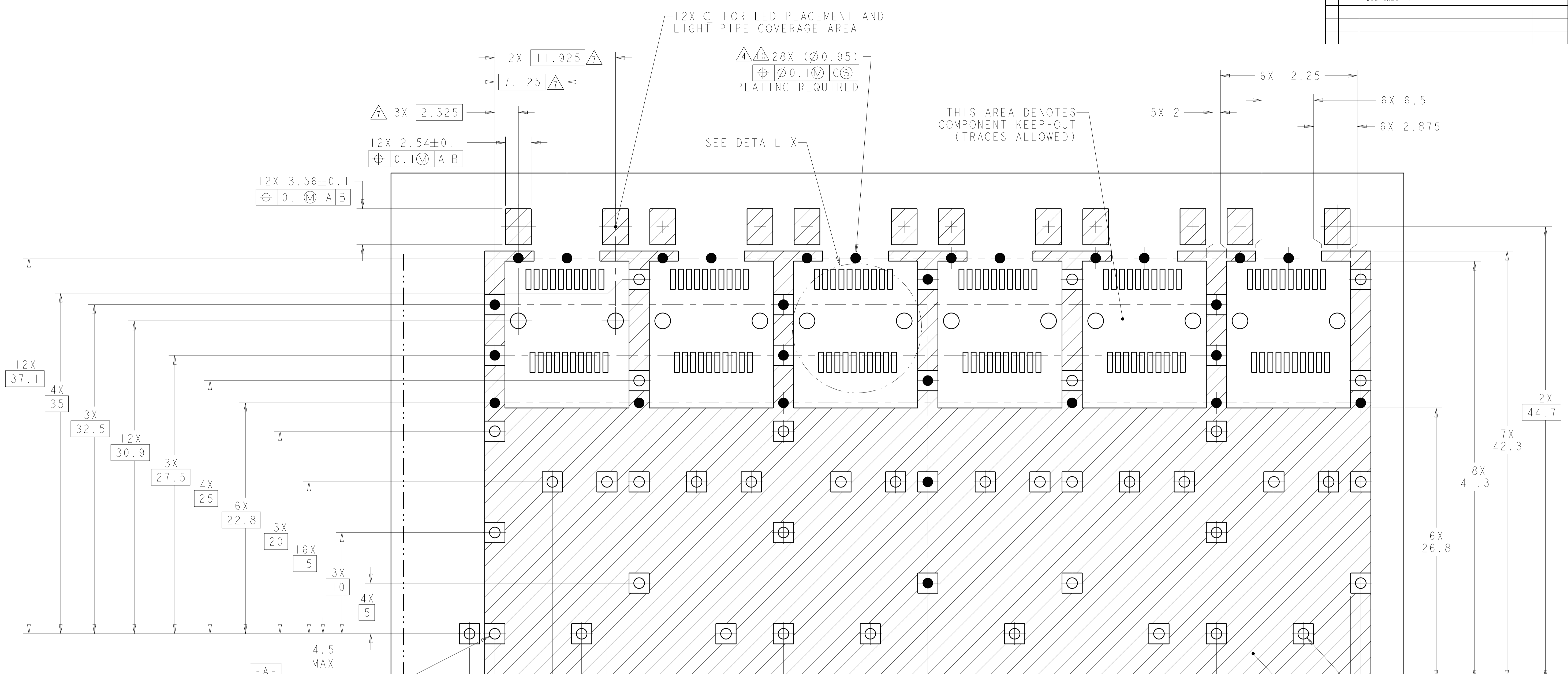
| REVISIONS | | DATE | BY | APPD |
|-----------|-------------|------|----|------|
| 1 | SEE SHEET 1 | | | |



| | | | |
|--|--|-------------------------------|---|
| THIS DRAWING IS A CONTROLLED DOCUMENT. | | OWN C. ROHLER 24FEB2010 | TE Connectivity |
| DIMENSIONS: | | CHK M. SCHMITZ 24FEB2010 | |
| mm | TOLERANCES UNLESS OTHERWISE SPECIFIED: | APPD B. WERTZ 24FEB2010 | NAME SFP+ 1X6 CAGE ASSEMBLY |
| | 0 PLC ±0.1 1 PLC ±0.1 2 PLC ±0.1 3 PLC ±0.1 4 PLC ±0.1 ANGLES ±1° | PRODUCT SPEC 108-2364 | RESTRICTED TO |
| MATERIAL | FINISH | APPLICATION SPEC 114-13120 | SIZE CAGE CODE DRAWING NO A100779C=2143294 |
| | | WEIGHT | CUSTOMER DRAWING |
| | | SCALE 4:1 | SHEET 2 OF 4 REV A |

| LOC | DIST | REV | DATE | BY | APPV |
|-----|------|-----|------|----|------|
| GP | 00 | | | | |

| REVISIONS | | | |
|-----------|-------------|------|----|
| NO. | DESCRIPTION | DATE | BY |
| 1 | SEE SHEET 1 | | |

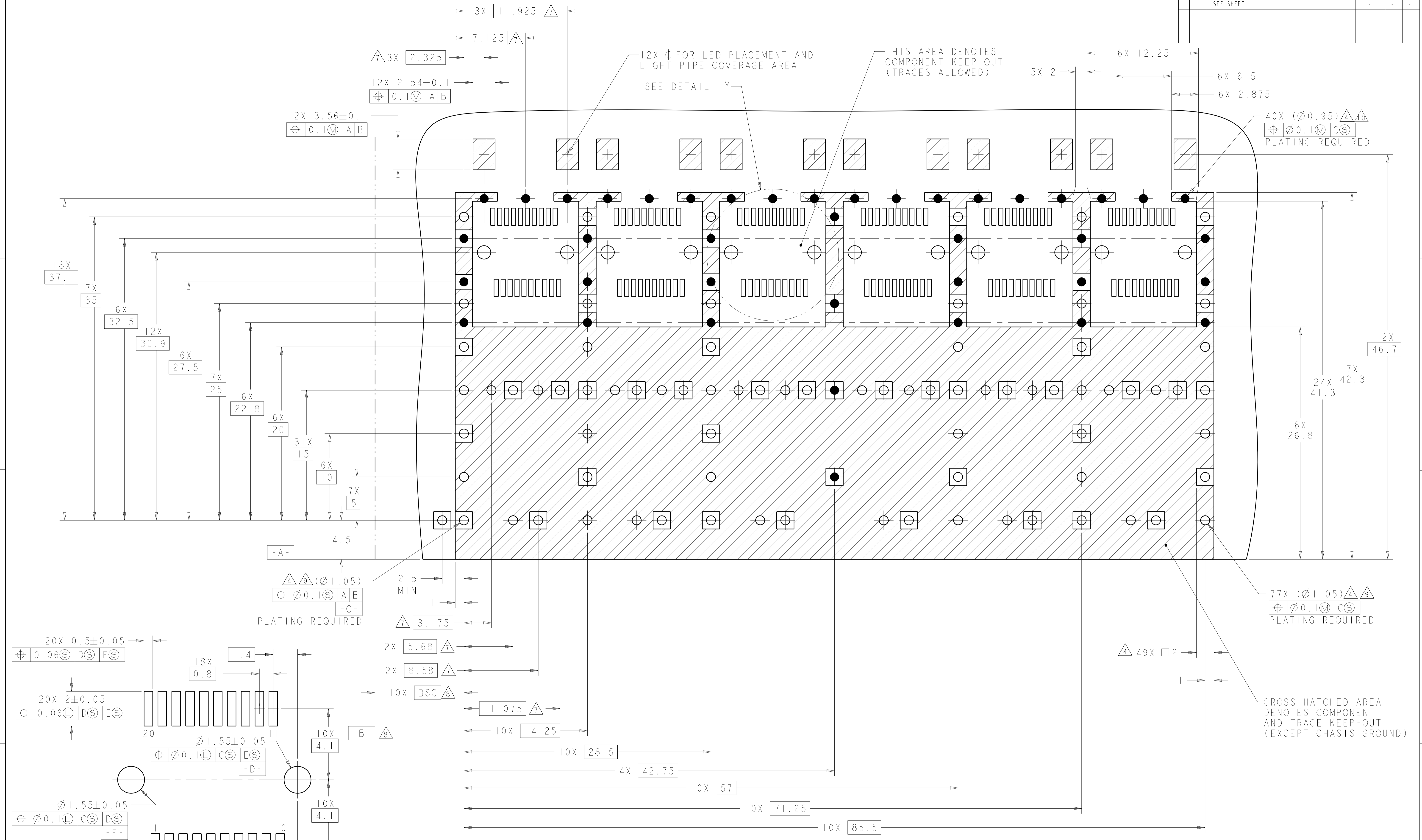


RECOMMENDED PCB CONFIGURATION WITH KEEP-OUT AREAS SINGLE SIDED APPLICATIONS SCALE 5:1

| | | | |
|--|--|-----------------------------|------------------------------|
| THIS DRAWING IS A CONTROLLED DOCUMENT. | | OWN: C. ROHLER 24FEB2010 | TE Connectivity |
| DIMENSIONS: mm | | CHK: M. SCHMITZ 24FEB2010 | |
| TOLERANCES UNLESS OTHERWISE SPECIFIED: | | APV: B. WERTZ 24FEB2010 | NAME: SFP+ 1X6 CAGE ASSEMBLY |
| 0 PLC ±0.1 1 PLC ±0.1 2 PLC ±0.1 3 PLC ±0.1 4 PLC ±0.1 ANGLES ±1° | | PRODUCT SPEC: 108-2364 | RESTRICTED TO: - |
| MATERIAL: - | | APPLICATION SPEC: 114-13120 | SIZE: A100779 |
| FINISH: - | | WEIGHT: - | SCALE: 4:1 |
| CUSTOMER DRAWING | | SCALE: 4:1 | SHEET 3 OF 4 |

| LOC | DIST | REV | DATE | BY | APPD |
|-----|------|-----|------|----|------|
| GP | 00 | | | | |

| REVISIONS | | | |
|-----------|-------------|------|----|
| NO. | DESCRIPTION | DATE | BY |
| 1 | SEE SHEET 1 | | |



DETAIL Y
 RECOMMENDED PT CONNECTOR LAYOUT
 12X INDIVIDUALLY
 SCALE 10:1

RECOMMENDED PC BOARD CONFIGURATION
 WITH KEEP-OUT AREAS
 BELLY TO BELLY APPLICATIONS
 SCALE 5:1

| | | | |
|--|--|--------------------------------|--|
| THIS DRAWING IS A CONTROLLED DOCUMENT. | | DWN C. ROHLER 24FEB2010 | TE Connectivity |
| DIMENSIONS: mm | | CHK M. SCHMITT 24FEB2010 | |
| TOLERANCES UNLESS OTHERWISE SPECIFIED: | | APVD B. WERTZ 24FEB2010 | NAME SFP+ 1X6 CAGE ASSEMBLY PRESS FIT, EXTERNAL EMI SPRINGS WITH REDUCED LENGTH LIGHT PIPES |
| 0 PLC ±0.1 1 PLC ±0.1 2 PLC ±0.1 3 PLC ±0.1 4 PLC ±0.1 ANGLES ±0.1° | | PRODUCT SPEC 108-2364 | SIZE 114-13120 |
| MATERIAL | | APPLICATION SPEC | RESTRICTED TO |
| FINISH | | WEIGHT | A100779C=2143294 |
| | | CUSTOMER DRAWING | SCALE 4:1 SHEET 4 OF 4 REV A |