

DESCRIPTION

Demonstration circuit 692 is a high efficiency 1.2MHz boost DC/DC converter featuring the LTC3426ES6. The board is capable of supplying 400mA current from 1.8V to 4.2V input with a 5V output. It can deliver 5V at 800mA from a 3.3V input. The converter has internal soft start and internal frequency compensation features. The LTC3426 chip is in a low profile (1mm) SOT-23 package and has very low shutdown current of about 0.5 μ A.

A switching frequency of 1.2MHz allows a tiny solution footprint. Typical applications include local 3.3V or 5V supply, battery back-up, portable devices and white LED driver supply.

Design files for this circuit board are available. Call the LTC factory.

LTC is a trademark of Linear Technology Corporation

Table 1. Performance Summary

PARAMETER	CONDITION	VALUE
Maximum Load Current, Min	Vout = 5V, Vin = 1.8V	400mA
Maximum Load Current, Min	Vout = 5V, Vin = 3.3V	800mA
Switching Frequency, Typ		1.2MHz
Efficiency, Typ	Vout = 5V, Vin = 3.3V, Iout = 800mA	87%
Output Ripple, Typ	Vout = 5V, VIN = 3.3V, IOUT = 400mA (20MHz BW)	90mVp-p

QUICK START PROCEDURE

Demonstration circuit 692 is easy to set up to evaluate the performance of the LTC3426. Refer to Figure 1 for proper measurement equipment setup and follow the procedure below:

NOTE: When measuring the input or output voltage ripple, care must be taken to avoid a long ground lead on the oscilloscope probe. Measure the input or output voltage ripple by touching the probe tip directly across the Vin or Vout and GND terminals. See Figure 2 for proper scope probe technique.

1. Place the jumper in the following position:

JP1 On

2. With power off, connect the input power supply (1.8V-4.2V) to Vin and GND. Connect the load to Vout and GND. Set initial load = 0A (no load).

3. Turn on the power at the input.
4. Check for the output voltage. Vout should be 5V \pm 0.2V.
5. Once the proper output voltage is established, adjust the load within the operating range and observe the output voltage regulation, ripple voltage, efficiency and other parameters.

NOTE: If there is no output, temporarily disconnect the load to make sure that the load is not set too high. The available output current depends on the input voltage. The output diode is rated for 1A current.

QUICK START GUIDE FOR DEMONSTRATION CIRCUIT 692

1.2MHz HIGH CURRENT BOOST CONVERTER

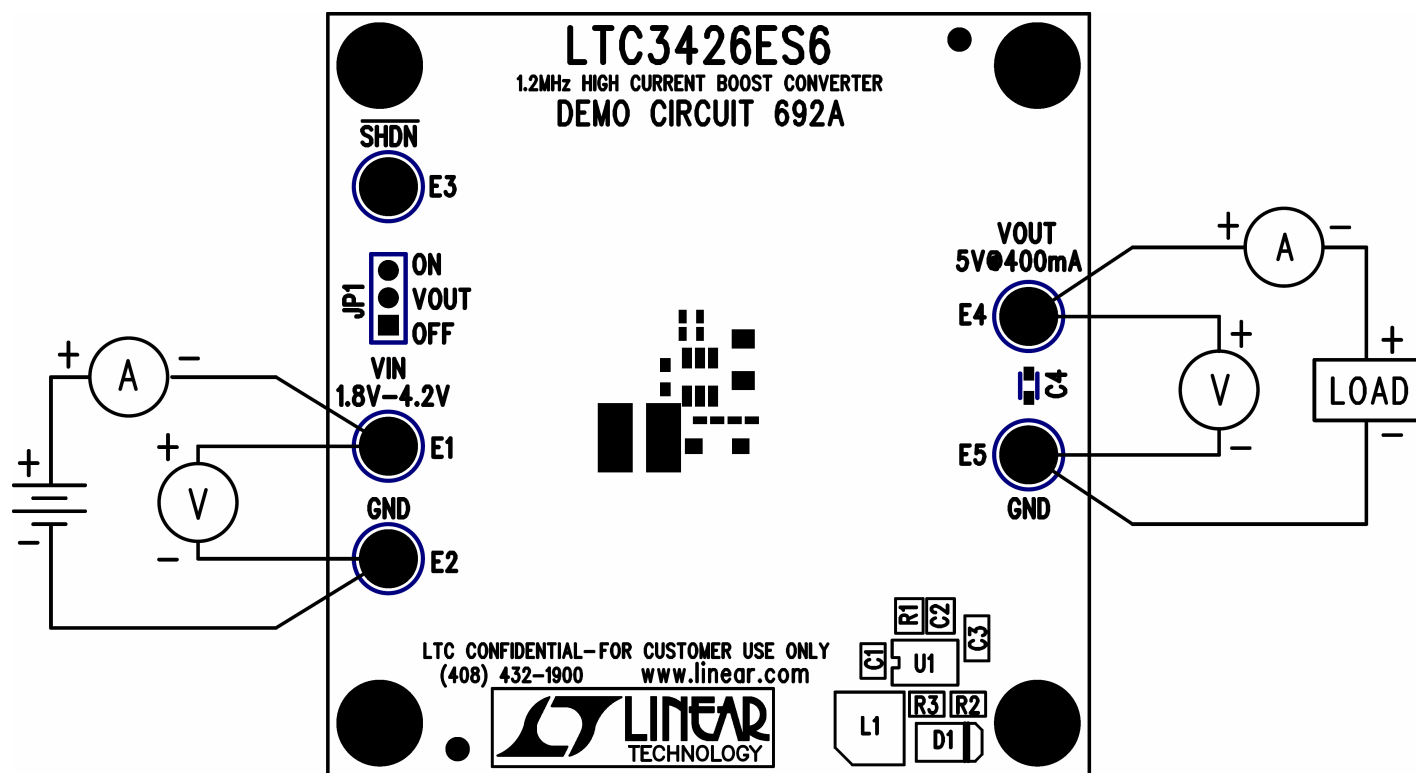


Figure 1. Proper Measurement Equipment Setup

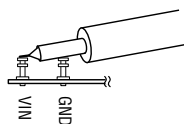
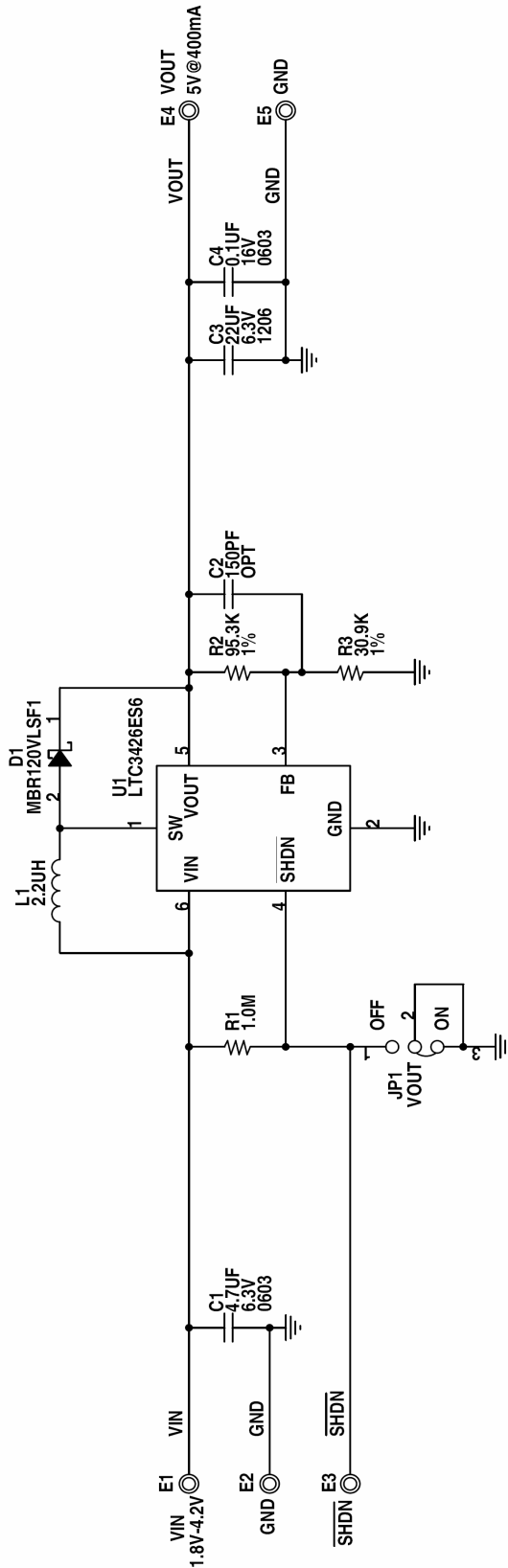


Figure 2. Measuring Input or Output Ripple

QUICK START GUIDE FOR DEMONSTRATION CIRCUIT 692

1.2MHZ HIGH CURRENT BOOST CONVERTER



CONTRACT NO.		1630 McCarthy Blvd. Milpitas, CA 95035 Phone: (408)432-1900 Fax: (408)434-0507 LTC Confidential-For Customer Use Only	
APPROVALS		LINEAR TECHNOLOGY	
DRAWN:	KIM T.	TITLE: SCHEMATIC	
CHECKED:		1.2MHZ HIGH CURRENT BOOST CONVERTER	
APPROVED:		SIZE	DWG NO.
ENGINEER:	CHARLIE Z.	A	DC692A * LTC3426ES6
DESIGNER:		REV	A
DATE: Wednesday, October 13, 2004		SHEET 1 OF 1	

- NOTES: UNLESS OTHERWISE SPECIFIED**
1. ALL RESISTORS ARE IN OHMS, 0402.
ALL CAPACITORS ARE IN MICROFARADS, 0402.
 2. INSTALL SHUNT ON JP1 PIN 2 AND 3.