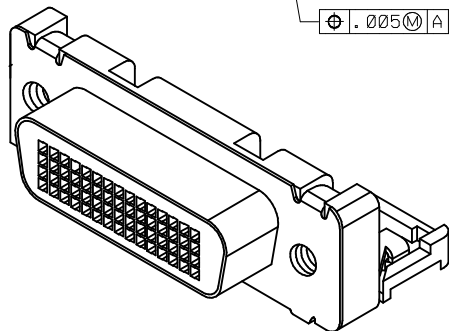
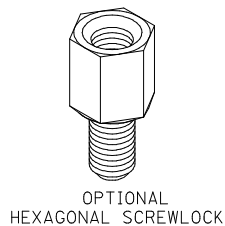
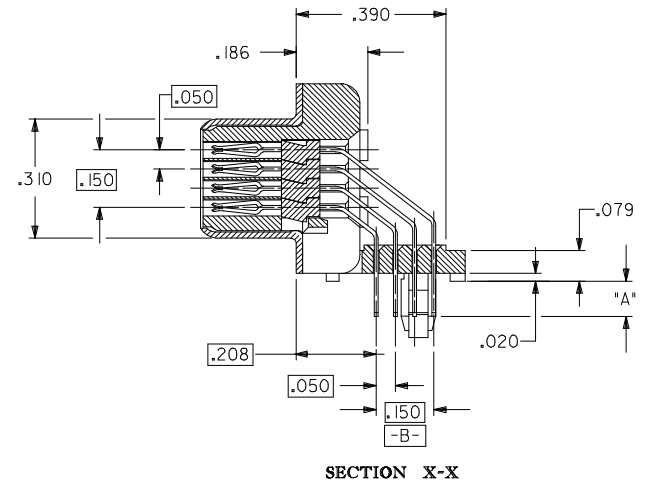
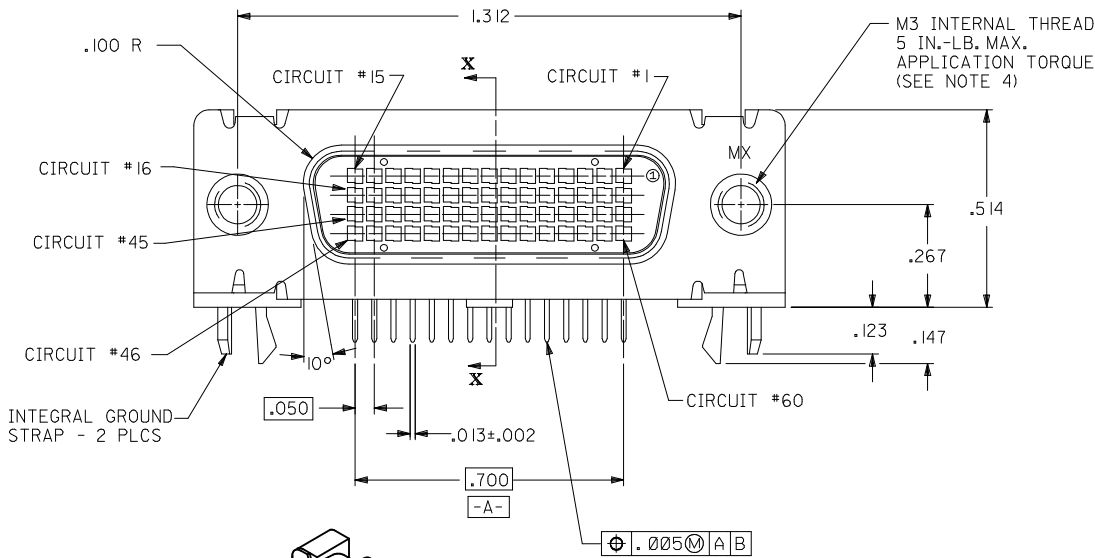
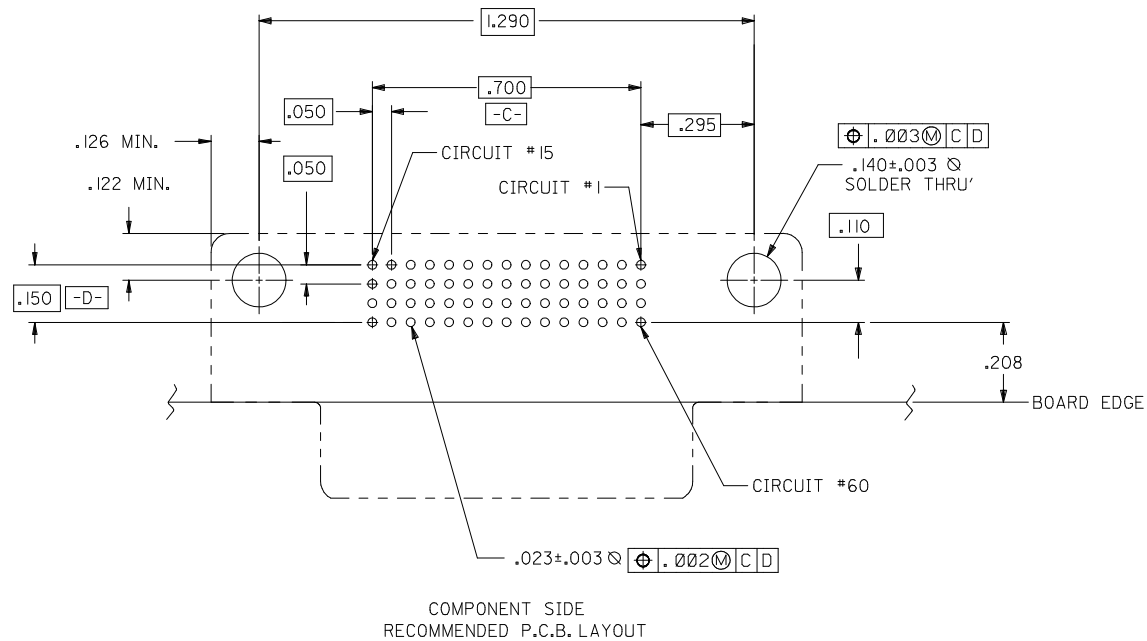


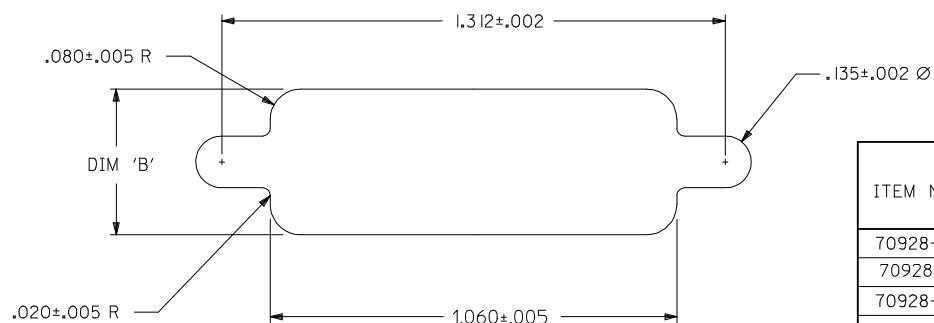
- NOTES:
- 1) MATERIALS:  
 HOUSING AND MOLDED STICK: GLASS FILLED POLYMER, 94V-0, COLOR BLACK.  
 TERMINALS: COPPER ALLOY .010±.0005 THK.  
 OUTER SHELL: DEEP DRAWN STEEL, .016/(0.40) THICK.  
 HEXAGONAL SCREWLOCK: STEEL.
  - 2) PLATING :  
TERMINALS (SEE CHART TO DETERMINE WHICH PART NUMBER HAS WHICH PLATING):  
30 GOLD SELECTIVE GOLD (Au) IN THE CONTACT AREA:  
 THICKNESS=30 MICROINCHES/(0.76 MICROMETERS) MINIMUM;  
 SELECTIVE TIN (Sn) ALLOY IN THE PC TAIL AREA:  
 THICKNESS=100 MICROINCHES/(2.54 MICROMETERS) MINIMUM;  
 NICKEL (Ni) UNDERPLATE OVER ENTIRE PIN.  
GOLD FLASH SELECTIVE GOLD (Au) FLASH IN THE CONTACT AREA  
 SELECTIVE TIN (Sn) ALLOY IN THE PC TAIL AREA:  
 THICKNESS=100 MICROINCHES/(2.54 MICROMETERS) MINIMUM;  
 NICKEL (Ni) UNDERPLATE OVER ENTIRE PIN.  
OUTER SHELL: 150 MICROINCHES/(3.81 MICROMETERS) MINIMUM OF TIN (Sn)  
 OVER 50 MICROINCHES/(1.27 MICROMETERS) MINIMUM OF  
 NICKEL (Ni) OVERALL.
  - 3) CONFORMS TO PRODUCT SPECIFICATION PS-70928.
  - 4) THREAD GAGE MAY REQUIRE UP TO 1 IN.-LB. OF TORQUE DURING GAGING PROCESS.
  - 5) PART COMPLIES WITH CLASS B OF COSMETIC SPECIFICATION PS-45499-002



<b>MOD PANEL CUT-OUT</b> EC NO: UCP2012-0335 DRWING:MORGAN 2011/08/12 CHKD:MPOFF 2014/04/11 APPR:SMILLER 2014/05/12	QUALITY SYMBOLS ▽=0 ▽=0 ▽=0	GENERAL TOLERANCES (UNLESS SPECIFIED)		DIMENSION STYLE <b>INCH ONLY</b>		SCALE <b>4:1</b>	DESIGN UNITS <b>INCH</b>	THIRD ANGLE PROJECTION	
		mm	INCH	DRAWN BY RKADAMS	DATE 2004/07/26	TITLE <b>SALES ASSEMBLY 60 CKT LFH ASSEMBLY RIGHT ANGLE RECEPTACLE</b>			
REV □	DESCRIPTION	4 PLACES	± ---	± ---	CHECKED BY BBARKER	DATE 2004/07/26	DOCUMENT NO. <b>SD-70928-001</b>		SHEET NO. <b>1 OF 2</b>
		3 PLACES	± ---	± .010	APPROVED BY SMILLER	DATE 2004/07/26	MATERIAL NO. <b>SEE TABLE</b>		
ANGLAR ±1/2°		DRAFT WHERE APPLICABLE MUST REMAIN WITHIN DIMENSIONS		SIZE <b>C</b>		THIS DRAWING CONTAINS INFORMATION THAT IS PROPRIETARY TO MOLEX INCORPORATED AND SHOULD NOT BE USED WITHOUT WRITTEN PERMISSION			



COMPONENT SIDE  
RECOMMENDED P.C.B. LAYOUT



RECOMMENDED PANEL CUT-OUT

DIM. 'B'	PANEL THICKNESS
.400±.005	.039
.420±.005	.064

ITEM NUMBER	DIMENSION "A"	PLATING (SEE NOTE 2)	HEXAGONAL SCREWLOCKS PACKAGED WITH CONNECTORS	SCREWLOCK ITEM NUMBER (SEE SD-70982-****)	PACKAGED PER PACKAGING SPECIFICATION
70928-2020	.079±.010	30 GOLD	NO	_____	PK-70873-0291
70928-2021	.092±.010	30 GOLD	NO	_____	PK-70873-0291
70928-2022	.104±.010	30 GOLD	NO	_____	PK-70873-0291
	.079±.010	30 GOLD	YES	70982-1003; 4-40 INTERNAL THD	PK-70873-0686
70928-2025	.079±.010	30 GOLD	YES	70982-1004; M-3 INTERNAL THD	PK-70873-0686
70928-2027	.125±.010	30 GOLD	NO	_____	PK-70873-0291
	.092±.010	30 GOLD	YES	70982-1003; 4-40 INTERNAL THD	PK-70873-0686
	.092±.010	GOLD FLASH	NO	_____	PK-70873-0291
	.092±.010	GOLD FLASH	YES	70982-1003; 4-40 INTERNAL THD	PK-70873-0686

<b>SEE SHEET 1</b> EC NO: UCP2012-0335 DRW:DMORGAN 2011/08/12 CHK:DMPOFF 2014/04/11 APPR:SMILLER 2014/05/12 REV	QUALITY SYMBOLS ▽=0 ▽=0 ▽=0	GENERAL TOLERANCES (UNLESS SPECIFIED) <table border="1"> <thead> <tr> <th></th> <th>mm</th> <th>INCH</th> </tr> </thead> <tbody> <tr> <td>4 PLACES</td> <td>± .---</td> <td>± .---</td> </tr> <tr> <td>3 PLACES</td> <td>± .---</td> <td>± .010</td> </tr> <tr> <td>2 PLACES</td> <td>± .---</td> <td>± .---</td> </tr> <tr> <td>1 PLACE</td> <td>± .---</td> <td>± .---</td> </tr> <tr> <td>0 PLACE</td> <td>± .---</td> <td>± .---</td> </tr> </tbody> </table>		mm	INCH	4 PLACES	± .---	± .---	3 PLACES	± .---	± .010	2 PLACES	± .---	± .---	1 PLACE	± .---	± .---	0 PLACE	± .---	± .---	DIMENSION STYLE <b>INCH ONLY</b> DRAWN BY: RKADAMS CHECKED BY: BBARKER APPROVED BY: SMILLER DATE: 2004/07/26	SCALE: 4:1 DESIGN UNITS: INCH THIRD ANGLE PROJECTION	TITLE: <b>SALES ASSEMBLY 60 CKT LFH ASSEMBLY RIGHT ANGLE RECEPTACLE</b> <b>molex</b>
		mm	INCH																				
	4 PLACES	± .---	± .---																				
	3 PLACES	± .---	± .010																				
2 PLACES	± .---	± .---																					
1 PLACE	± .---	± .---																					
0 PLACE	± .---	± .---																					
	ANGULAR ±1/2° DRAFT WHERE APPLICABLE MUST REMAIN WITHIN DIMENSIONS	MATERIAL NO. <b>SEE TABLE</b>	DOCUMENT NO. <b>SD-70928-001</b>	SHEET NO. <b>2 OF 2</b>	THIS DRAWING CONTAINS INFORMATION THAT IS PROPRIETARY TO MOLEX INCORPORATED AND SHOULD NOT BE USED WITHOUT WRITTEN PERMISSION																		