

1

2

3

4

Product number  
SEE TABLE, SHT 5

A

B

C

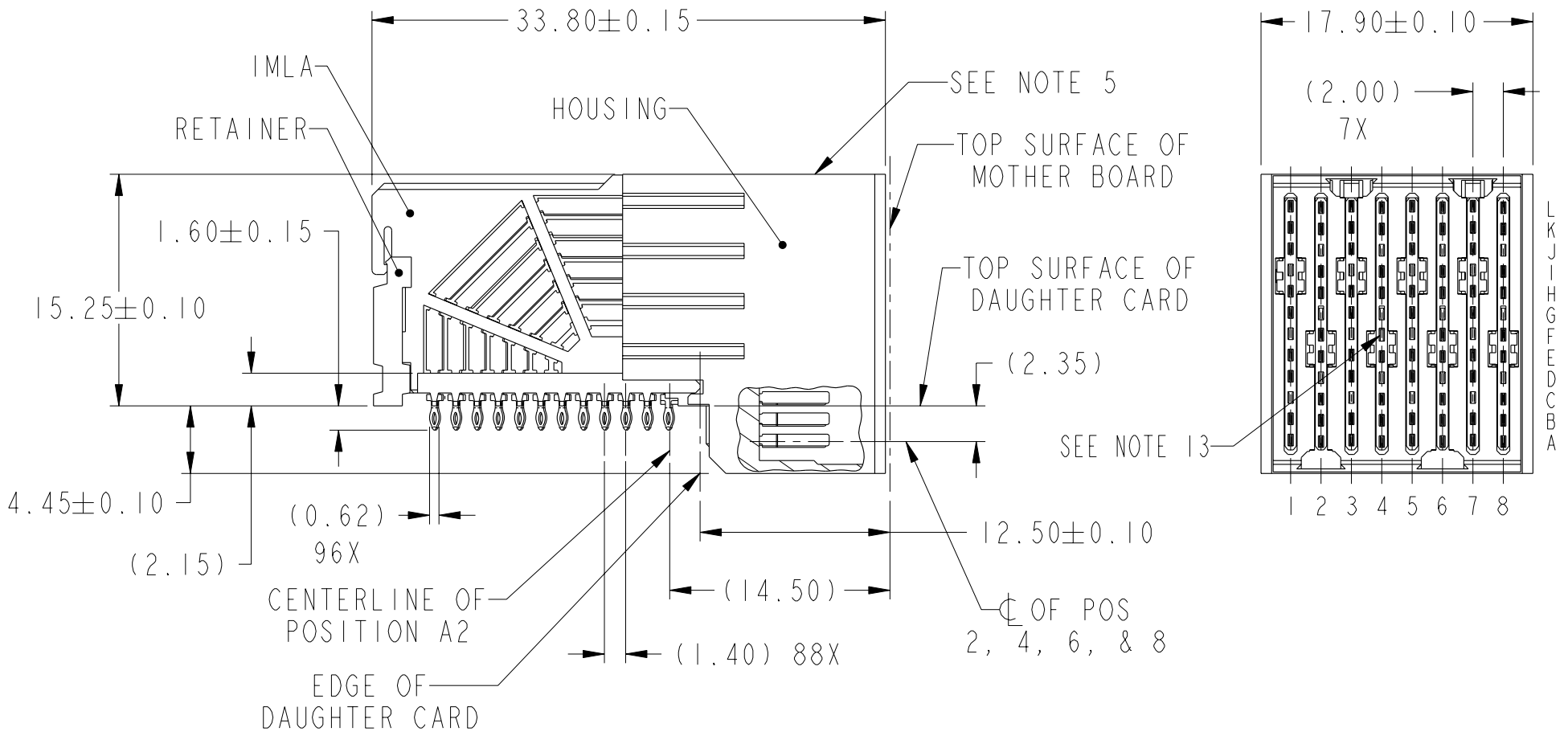
D

A

B

C

D



Copyright FCI.

| rev | ecn no   | dr | date       |
|-----|----------|----|------------|
| A   | S08-0174 | CH | 2008-06-02 |
| B   | S08-0187 | CH | 2008-06-13 |
| C   | S08-0251 | CH | 2008-07-31 |
| -   | -        | -  | -          |
| -   | -        | -  | -          |
| -   | -        | -  | -          |
| -   | -        | -  | -          |

|                    |           |                                       |                             |                  |
|--------------------|-----------|---------------------------------------|-----------------------------|------------------|
| www.fciconnect.com |           | surface -<br>ASME Y14.5               | tolerance std<br>ASME Y14.5 | projection<br>MM |
|                    |           | TOLERANCES UNLESS OTHERWISE SPECIFIED |                             |                  |
| Dr                 | C. H. TAN | 2008-06-02                            | ANGULAR                     | 0.X ±            |
| Eng                | C. H. TAN | 2008-06-02                            | LINEAR                      | 0.XX ±           |
| Chr                | C. H. TAN | 2008-07-31                            | 0° ±                        | 0.XXX ±          |
| Appr               | JOEY NG   | 2008-07-31                            | Product family              | AirMax VS        |
|                    |           |                                       | Spec ref                    | ECN ***          |
| FCI                |           |                                       | AirMax VS R/A HEADER ASSY   | size A4          |
|                    |           |                                       | PRESS-FIT, 96 POS, 18MM     | Scale 5:2        |
|                    |           |                                       | catalog no                  | 10084584         |
|                    |           |                                       | CUSTOMER                    | Rev. C           |
|                    |           |                                       | sheet 1 of 5                |                  |

REV F - 2006-04-17

2

PDM: Rev:C

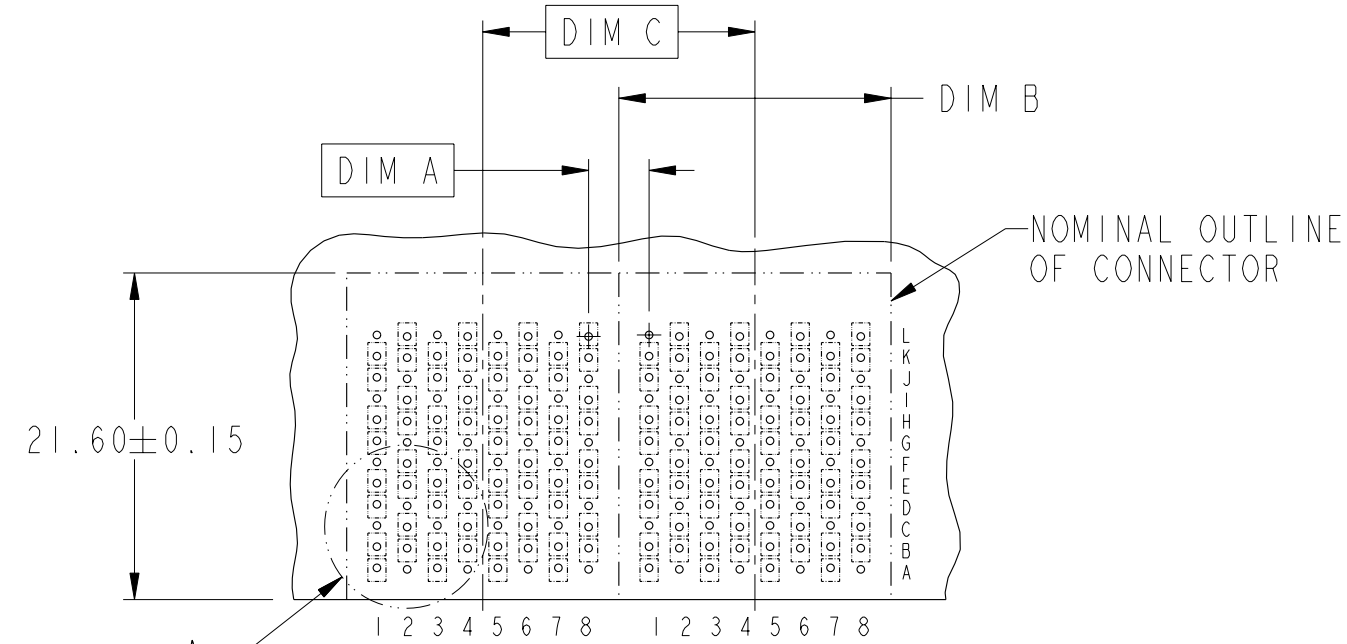
STATUS: Released

Printed: Dec 01, 2010



Copyright FCI.

| DESCRIPTION   | DIM A | DIM B                  | DIM C |
|---|-------|------------------------|-------|
| 2-18MM MODULES<br>PLACED END-TO-END                   | 4.00  | 17.90 2X               | 18.00 |
| 1-16MM MODULE &<br>1-18MM MODULE<br>PLACED END-TO-END | 3.00  | 15.90 1X &<br>17.90 1X | 17.00 |

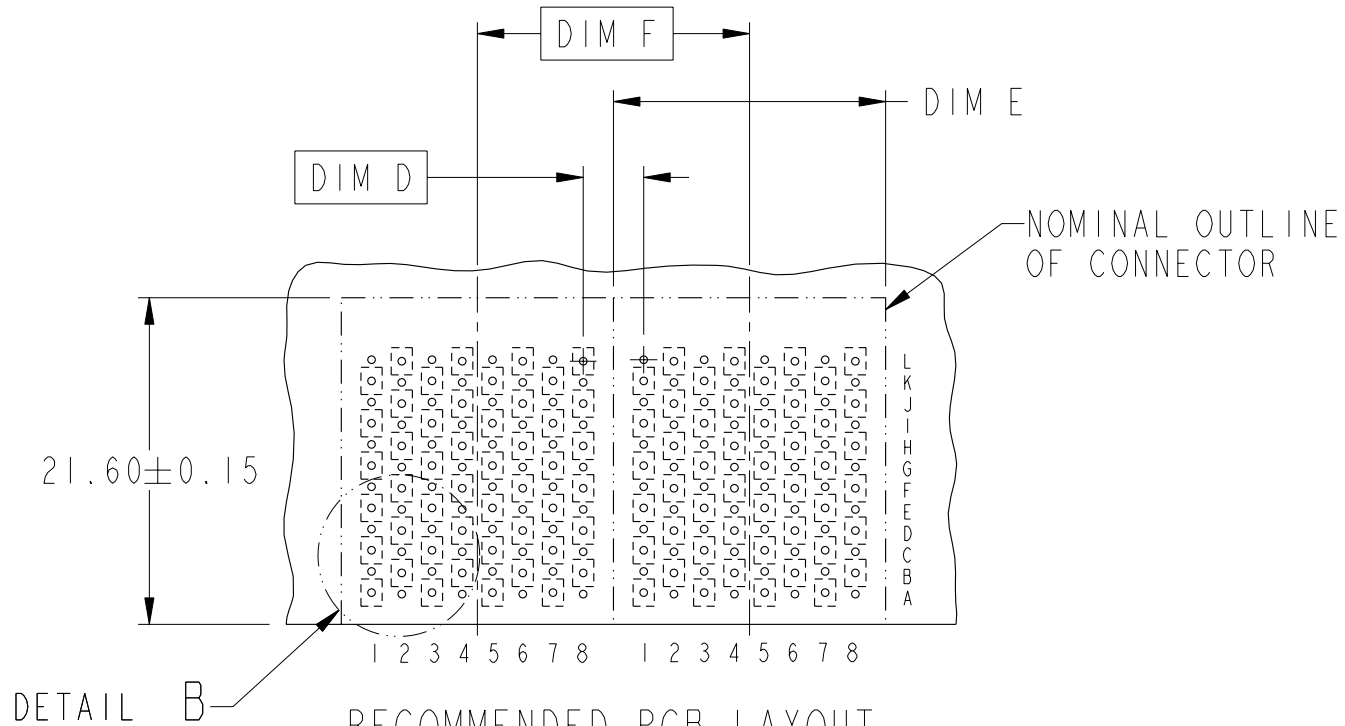


RECOMMENDED PCB LAYOUT  
FOR DIFFERENTIAL APPLICATIONS  
COMPONENT SIDE  
(TWO ADJACENT FOOTPRINTS SHOWN)  
NOTES 6 & 7



|            |                           |          |              |          |      |   |
|------------|---------------------------|----------|--------------|----------|------|---|
| TITLE      | AirMax VS R/A HEADER ASSY |          | dwg no       | 10084584 | Rev. | C |
|            | PRESS-FIT, 96 POS, 18MM   |          |              |          |      |   |
| CATALOG NO | -                         | CUSTOMER | sheet 2 of 5 |          |      |   |

| DESCRIPTION   | DIM D | DIM E                  | DIM F |
|---|-------|------------------------|-------|
| 2-18MM MODULES<br>PLACED END-TO-END                   | 4.00  | 17.90 2X               | 18.00 |
| 1-16MM MODULE &<br>1-18MM MODULE<br>PLACED END-TO-END | 3.00  | 15.90 1X &<br>17.90 1X | 17.00 |



RECOMMENDED PCB LAYOUT  
FOR SINGLE ENDED APPLICATIONS  
COMPONENT SIDE  
(TWO ADJACENT FOOTPRINTS SHOWN)  
NOTES 6 & 7



title AirMax VS R/A HEADER ASSY  
PRESS-FIT, 96 POS, 18MM  
catalog no -

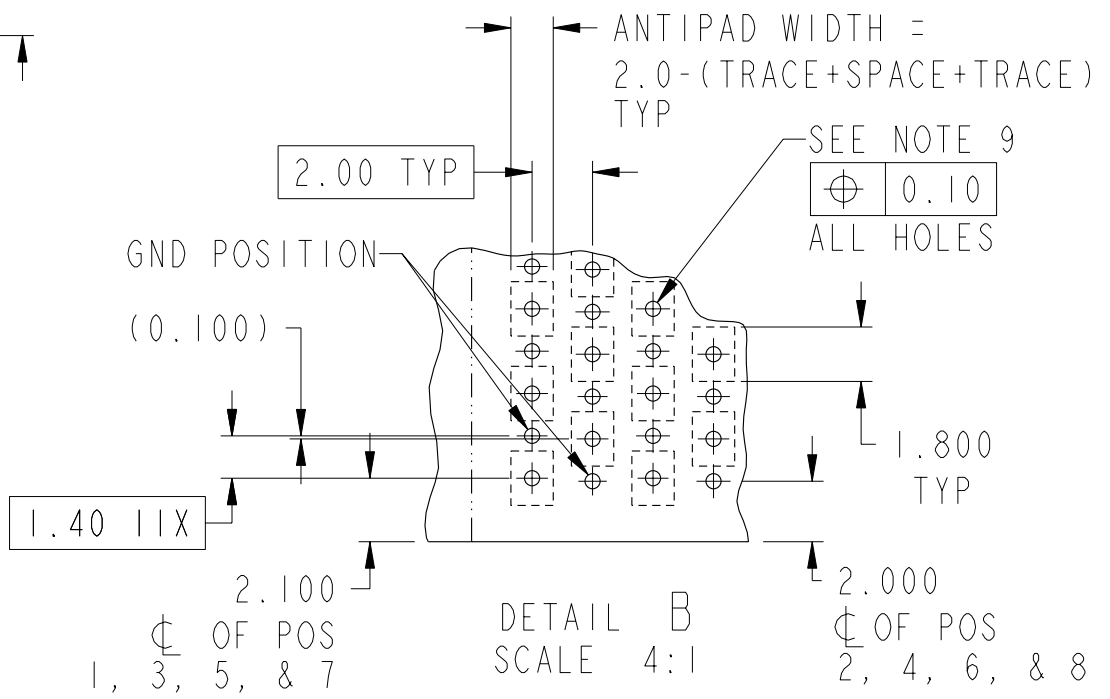
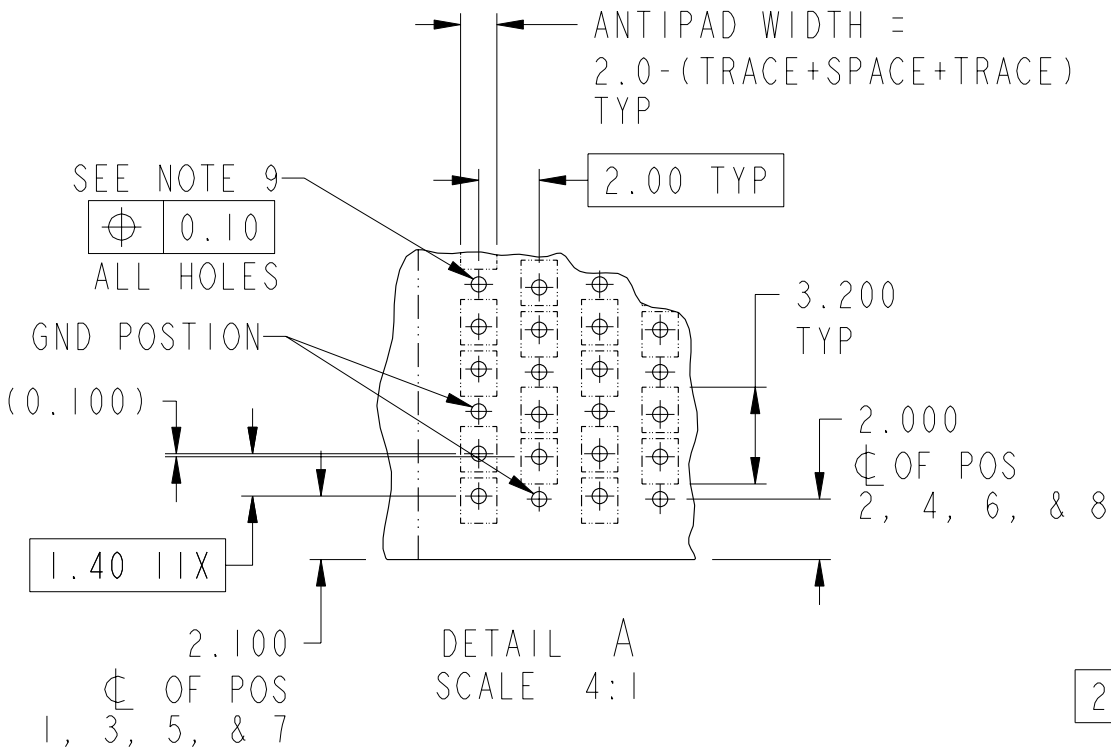
dwg no 10084584

Rev. C

CUSTOMER sheet 3 of 5



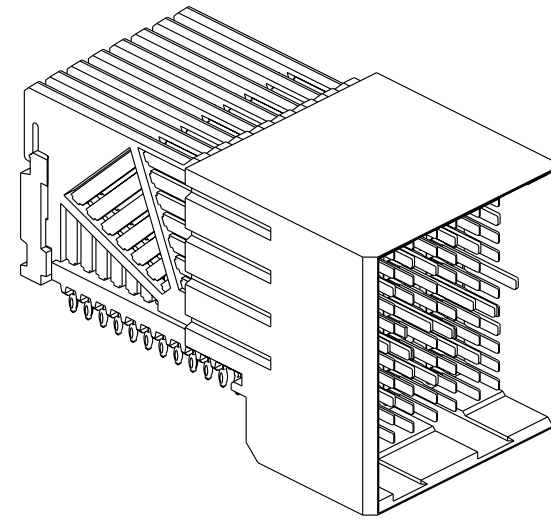
Copyright FCI.



Part no AirMax VS R/A HEADER ASSY  
 Title PRESS-FIT, 96 POS, 18MM  
 catalog no -

dwg no 10084584  
 Rev. C  
 CUSTOMER sheet 4 of 5

| PART NUMBER    | PRESS-FIT TAIL PLATING TYPE | SHORT DETECT CONTACT |
|----------------|-----------------------------|----------------------|
| 10084584-101LF | TIN OVER NICKEL (LEAD FREE) | NO                   |
| 10084584-111LF | TIN/LEAD ALLOY OVER NICKEL  | YES (SEE NOTE 13)    |



NOTES:

1. CONNECTOR MATERIALS:  
HOUSING & RETAINER: HIGH TEMP THERMOPLASTIC, NATURAL, UL94V-0  
IMLA PLASTIC: HIGH TEMP THERMOPLASTIC, BLACK, UL94V-0  
CONTACT: COPPER ALLOY

2. CONTACT PLATING:  
SEPARABLE INTERFACE:  
PERFORMANCE-BASED PLATING, QUALIFIED TO MEET THE REQUIREMENTS OF FCI PRODUCT SPECIFICATION GS-12-239, INCLUDING TELCORDIA GR-1217-CORE (NOVEMBER 1995) CENTRAL OFFICE.  
PRESS-FIT TAILS: SEE TABLE

3. PRODUCT SPECIFICATION: GS-12-239

4. APPLICATION SPECIFICATION: GS-20-035

5. PRODUCT MARKING, (PART NUMBER & LOT CODE), ON THIS SURFACE

6. REFER TO CUSTOMER DRAWING 10035911 FOR INFORMATION REGARDING PCB LAYOUT OF POWER AND GUIDE MODULES RELATIVE TO SIGNAL MODULES

7. POSITIONS F OF ODD NUMBERED COLUMNS AND POSITIONS G OF EVEN NUMBERED COLUMNS CORRESPOND TO EARLY MATE HEADER PINS

8. THERE IS NO GROUND BUSSING WITHIN THE CONNECTOR SYSTEM

9. REFER TO CUSTOMER DRAWING 10045979 FOR INFORMATION ON PCB HOLE DIAMETERS AND PLATING OPTIONS.

10. THIS PRODUCT MEETS EUROPEAN UNION DIRECTIVES AND OTHER COUNTRY REGULATIONS AS DESCRIBED IN GS-22-008.

11. THE HOUSING WILL WITHSTAND EXPOSURE TO 260°C PEAK TEMPERATURE FOR 40 SECONDS IN A CONVECTION, INFRA-RED OR VAPOR PHASE REFLOW OVEN.

12. PACKAGING MEETS GS-14-920 LEAD FREE LABELING SPECIFICATION.

13. MATING PIN F4 IS SHORTER THAN ALL REMAINING SIGNAL PINS. NOMINAL MATING WIPE FOR PIN F4 IS 0.5MM LESS THAN ALL REMAINING SIGNAL PINS.

14. A  $\triangle$  SYMBOL WILL BE NEXT TO ANY DIMENSION, VIEW, OR NOTE WHICH HAS BEEN MODIFIED WITH THE CURRENT DRAWING REVISION.

|     |            |                           |        |          |              |   |
|-----|------------|---------------------------|--------|----------|--------------|---|
| FCI | title      | AirMax VS R/A HEADER ASSY | dwg no | 10084584 | Rev.         | C |
|     | catalog no | PRESS-FIT, 96 POS, 18MM   | -      | CUSTOMER | sheet 5 of 5 |   |



Copyright FCI.