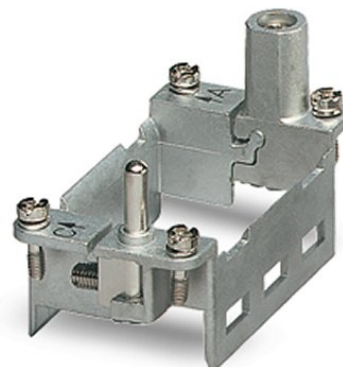



# HC-M-MHR-T3-N

Order No.: 1679252



<http://eshop.phoenixcontact.de/phoenix/treeViewClick.do?UID=1679252>

HEAVYCON hinged retaining frame, for HC-B 10 sleeve housing, for 3 modules, labeling with upper case letters (A, B, C, etc.)

Commercial data	
GTIN (EAN)	 4 017918 162603
sales group	D041
Pack	2 pcs.
Customs tariff	85369010
Catalog page information	Page 464 (PC-2009)

#### Product notes

WEEE/RoHS-compliant since:  
04/13/2006



<http://www.download.phoenixcontact.com>  
Please note that the data given here has been taken from the online catalog. For comprehensive information and data, please refer to the user documentation. The General Terms and Conditions of Use apply to Internet downloads.

#### Technical data

##### Electrical characteristics

Note	Hinged retaining frame
Ambient temperature (operation)	-40 °C ... 125 °C

##### Mechanical characteristics

Conductor cross-section	4 mm <sup>2</sup> ... 6 mm <sup>2</sup> (for PE conductor – power side)
-------------------------	---

	1 mm <sup>2</sup> ... 2.5 mm <sup>2</sup> (for PE conductor – control side)
Connection cross-section AWG	12 ... 10 (for PE conductor – power side)
	18 ... 14 (for PE conductor – control side)
Insertion/withdrawal cycles	≥ 500

#### General characteristics

Design	B10
Number of module slots	3
Assembly instructions	HC-MHR-PE16 ( 1636981) for PE connection extension to 16 mm <sup>2</sup> .

#### Material data

Contact carrier material	Die-cast zinc alloy
--------------------------	---------------------

#### Certificates / Approvals



Certification GOST

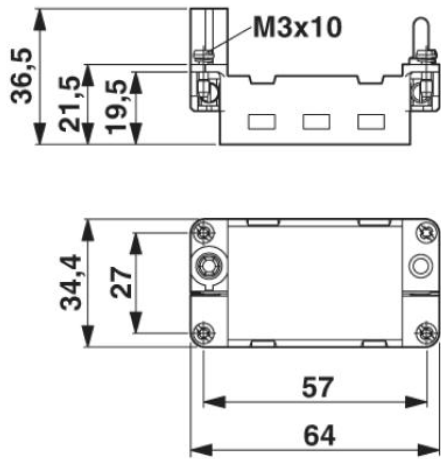
#### Accessories

Item	Designation	Description
<b>General</b>		
1585155	HC-M-MHR-FIX	Fixing wedge to fix the hinged retaining frame (20 wedges on the block)
<b>Plug/Adapter</b>		
1636981	HC-M-MHR-PE16	Cable lug for HEAVYCON-MODULAR; PE connection extension to 16 mm <sup>2</sup> , for crimping with crimp pliers

**Diagrams/Drawings**

Dimensioned drawing

---



**Address**

PHOENIX CONTACT Deutschland GmbH  
Flachmarktstr. 8  
32825 Blomberg, Germany  
Phone +49 5235 3 12000  
Fax +49 5235 3 41200  
<http://www.phoenixcontact.de>



© 2010 Phoenix Contact  
Technical modifications reserved;