

NOTES:

1. MATERIALS AND FINISHES:

- BODY - BRASS, NICKEL PLATING
- CONTACT - BERYLLIUM COPPER, GOLD PLATING
- INSULATOR - PTFE, NATURAL
- GASKET - SILICONE RUBBER, RED

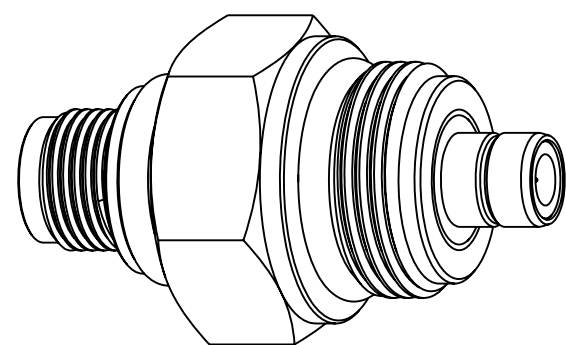
2. ELECTRICAL;

- A. IMPEDANCE: 75 OHM, NOMINAL
- B. FREQUENCY RANGE: 0 - 3 GHz
- C. VSWR (RETURN LOSS): 1.12 (-25 dB) MAX.
- C. D.W.V: 1000 VRMS, MIN.

3. MECHANICAL:

- A. DURABILITY: 100 CYCLES MIN.
- B. TEMPERATURE RANGE: -40°C TO +140°C

4. CENTER CONTACT TO ACCEPT $\varnothing .020"$ TO $\varnothing .04"$ PIN [$\varnothing 0.5$ MM TO $\varnothing 1.05$ MM]

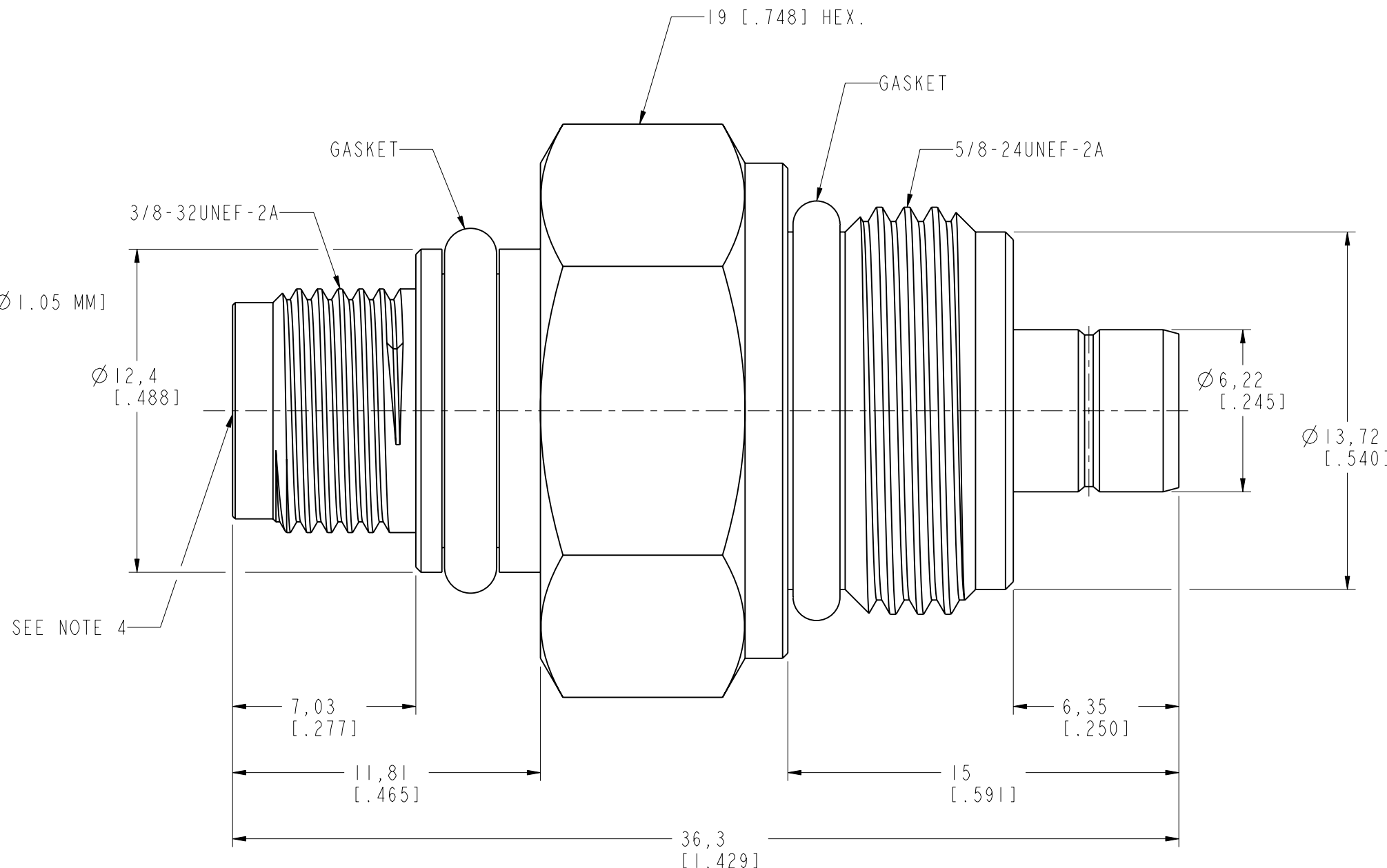


SCALE 2.000

THIRD ANGLE PROJ.

REVISIONS

REV	DESCRIPTION	DATE	ECO	APPR
NC	INITIAL RELEASE	09-Dec-04	-----	GRS
A	CORRECT PART DESCRIPTION TP "SMB"	18-Jan-09	-----	GRS
B	REDRAWN IN THE PRO-E, UPDATE DRAWING FORMAT	21-Oct-14	2814	MZ



CUSTOMER OUTLINE DRAWING
ALL OTHER SHEETS ARE FOR INTERNAL USE ONLY

<p>UNLESS OTHERWISE SPECIFIED, DIMENSIONS ARE IN METRIC AND TOLERANCES ARE: <0.5mm ±0.05mm 0.5 - 6mm ±0.1mm 6 - 30mm ±0.2mm 30 - 120mm ±0.3mm ANGLES ±1°</p> <p>NOTICE - These drawings, specifications, or other data (1) are, and remain the property of Amphenol corp. (2) must be returned upon request; and (3) are confidential and not to be disclosed to any person other than those to whom they are given by Amphenol Corp. the furnishing of these drawings, specifications, or other data by Amphenol Corp., or to any other person to anyone for any purpose is not to be regarded by implication or otherwise in any manner licensing, granting rights to permitting such holder or any other person to manufacture, use or sell any product, process or design, patented or otherwise, that may in any way be related to or disclosed by said drawings, specifications, or other data.</p>	MATERIAL	DRAWN M. ZHANG	DATE 21-Oct-14	<p>TITLE F JACK TO SMB JACK, 75 OHM ADAPTER</p>	<p>Amphenol Connex</p>
	REFERENCE FF-SMZMI-NT30G-75	ENGINEER S. DUAN	DATE 21-Oct-14		
CONFIGURATION LEVEL: <input type="checkbox"/> <input type="checkbox"/> <input type="checkbox"/>	APPROVED S. HSIEH	DATE 21-Oct-14	SCALE: 5.0:1.0	SHEET 3 OF 3	ITEM NO.
FINISH	CAD FILE		DWG SIZE B	REV B	PART NO. 242215