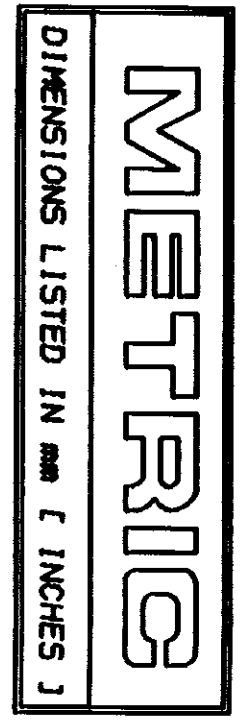
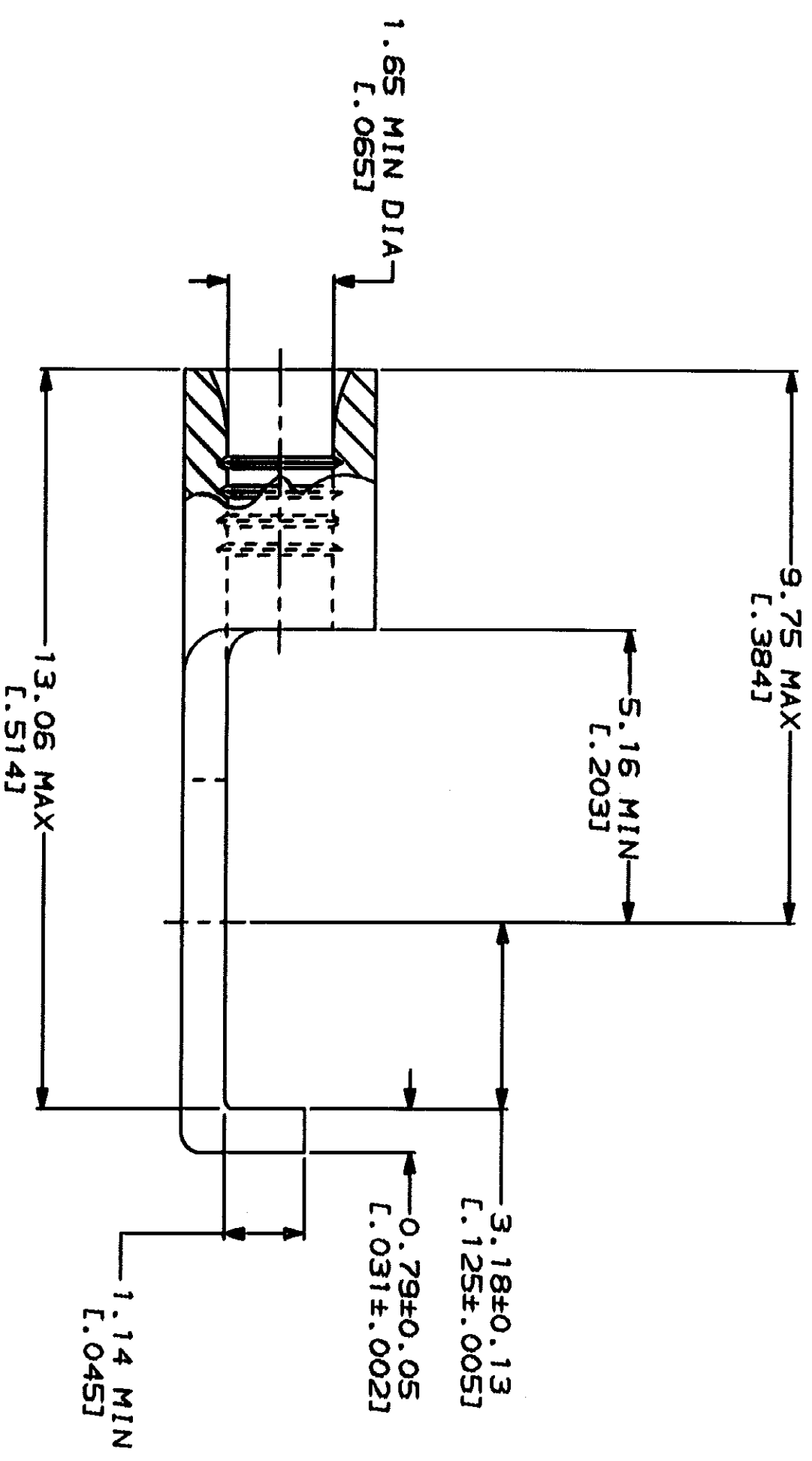
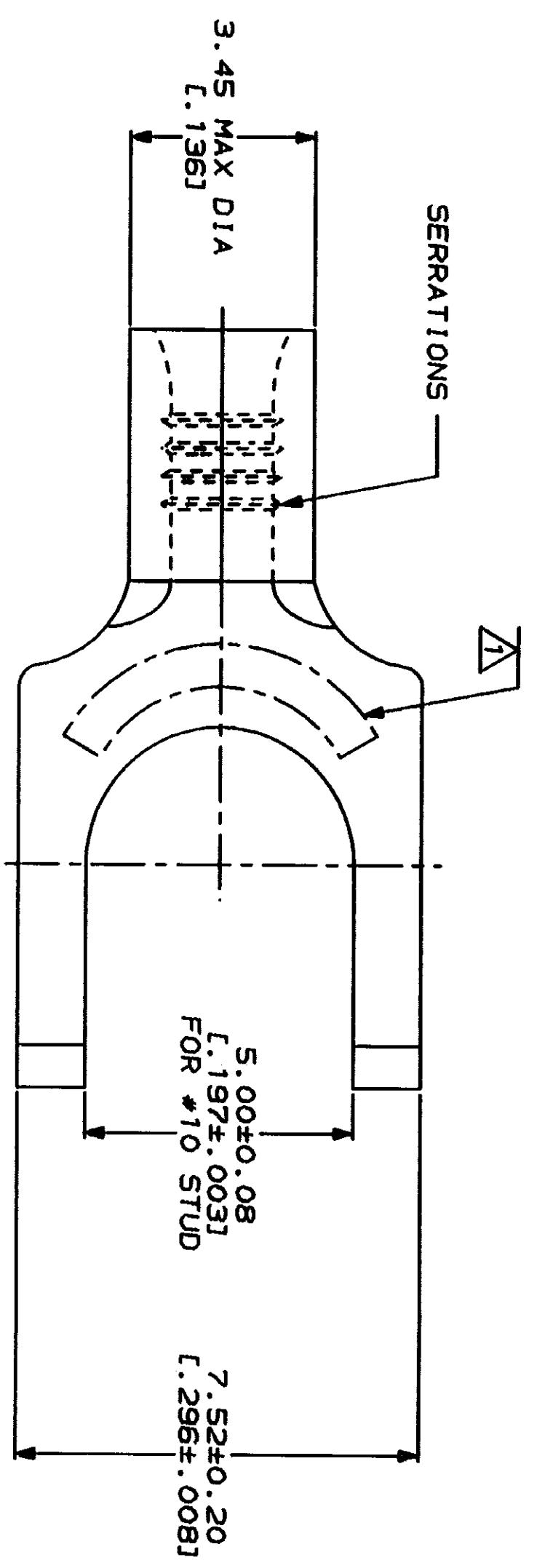


LOC	QTY	REV	DATE	APPD
G	14	A	07/20/93	DA PATTERSON



AMP WIRE RANGE	E13288 Listed
22-16 AWG STRANDED	22-16 AWG STRANDED
LR7189 Certified	MILITARY P/N AND CLASS
NOT CERTIFIED	NOT APPLICABLE

△ STAMP AMP 22-18* APPROX AS SHOWN
 22-16 TERMINALS ARE STAMPED 22-18 IN
 ACCORDANCE WITH MILITARY SPECIFICATION
 MIL-T-7928, COMMERCIAL WIRE RANGE IS 22-16



AMP INCORPORATED
 CUSTOMER SERVICE SYSTEMS

FOR ADDITIONAL PRODUCT INFORMATION OR COPIES OF DRAWINGS AND TECHNICAL DOCUMENTS
 PRODUCT INFORMATION CENTER
 1-800-522-6752

FOR APPLICATION TOOLING INFORMATION
 TOOLING ASSISTANCE CENTER
 1-800-722-1111

FOR ORDER ENTRY
 1-800-526-5142

MAX RECOMMENDED OPERATING TEMPERATURE:
 170°C MAX

VOLTAGE RATING:
 NOT APPLICABLE

WIRE CROSS SECTIONAL AREA RANGE:
 0.26-1.65mm² [509-3,260] CIR MILS
 STRANDED

DO NOT SCALE PRINT. DIMENSIONS SPECIFIED IN - DIMENSIONS - TOLERANCES ON 1. 2 PLG DEC ± . 3 ANGLES MATERIAL

COPPER PER ASTM B-152 ANNEALED

FINISH TIN PLATE
 0.00254(.000100) MIN THK PER MIL-T-10727

DR 3-2-93 TA BRINKMAN
 CHK 3-2-93 DA PATTERSON
 APPD 3-2-93 DE MILLER
 APPD 3-2-93 J. HECKLEY
 PRODUCT SPEC

AMP Incorporated
 Harrisburg, PA 17105-3508

APPLICATION SPEC
 SIZE CASE CODE DRAWING NO
 00779 C-328522
 SCALE 10:1 SHEET 1 OF 1

328522
 PART NO

TERMINAL, FLANGED
 SPADE, BUDGET