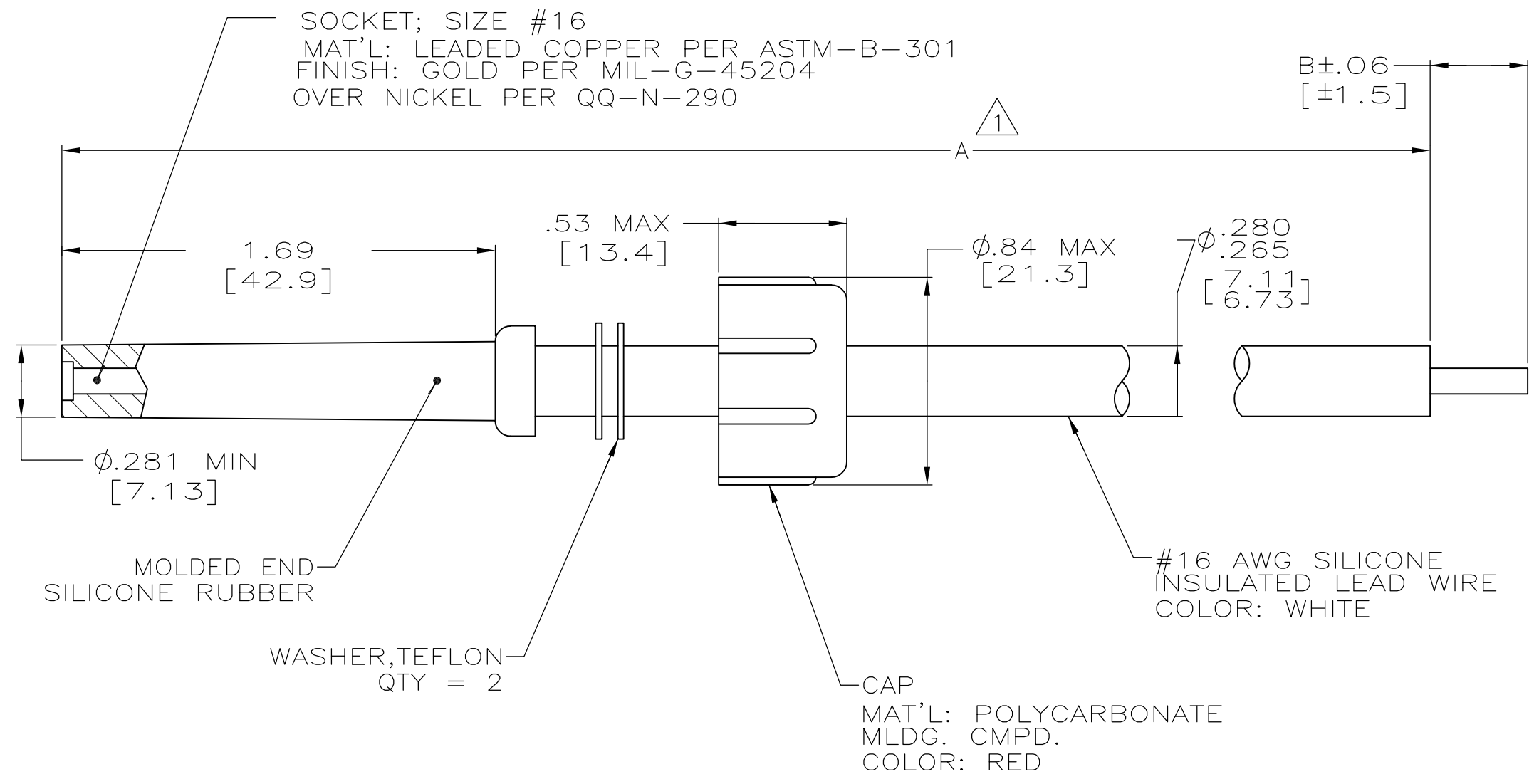


THIS DRAWING IS UNPUBLISHED. RELEASED FOR PUBLICATION  
 © COPYRIGHT - By - ALL RIGHTS RESERVED.

LOC		DIST		REVISIONS			
P	LTR	DESCRIPTION		DATE	DWN	APVD	
R1		REVISED PER ECO-11-005030		11MAR11	RK	HMR	

PART NO.	A $\Delta$	B	
830637-1	11.00 [279.4]	-	
830637-2	24.00 [609.6]	-	
830637-3	6.50 [165.1]	.50 [12.7]	OBSOLETE
830637-4	9.00 [228.6]	-	
830637-5	36.00 [914.4]	.38 [9.7]	
830637-6	30.00 [762.0]	-	OBSOLETE
830637-7	72.00 [1828.8]	-	
830637-8	47.25 [1200.1]	.50 [12.7]	
830637-9	20.25 [514.3]	.50 [12.7]	
1-830637-0	8.00 [203.2]	.50 [12.7]	
1-830637-1	36.00 [914.4]	-	OBSOLETE
1-830637-2	12.00 [304.8]	.38 [9.7]	
1-830637-3	18.00 [457.2]	.38 [9.7]	
1-830637-4	108.00 [2743.2]	-	
1-830637-5	180.00 [4572.0]	-	OBSOLETE
1-830637-6	60.00 [1524.0]	.38 [9.7]	
1-830637-7	26.00 [660.4]	.38 [9.7]	OBSOLETE
1-830637-8	42.00 [1066.8]	.38 [9.7]	
1-830637-9	54.00 [1371.6]	.38 [9.7]	OBSOLETE
2-830637-0	5.00 [127.0]	.38 [9.7]	OBSOLETE
2-830637-1	16.00 [406.4]	.38 [9.7]	
2-830637-2	264.00 [6705.6]	.38 [9.7]	OBSOLETE
2-830637-3	17.00 [431.8]	.50 [12.7]	
2-830637-4	48.00 [1219.2]	.38 [9.7]	
2-830637-6	10.25 [260.3]	.38 [9.7]	
2-830637-6	10.25 [260.3]	.38 [9.7]	
2-830637-7	14.00 [355.6]	.38 [9.7]	
2-830637-8	24.00 [609.6]	.38 [9.7]	
2-830637-9	240.00 [6096.0]	.38 [9.7]	OBSOLETE
3-830637-0	84.00 [2133.6]	.38 [9.7]	
3-830637-1	120.00 [3048.0]	.38 [9.7]	OBSOLETE
3-830637-2	96.00 [2438.4]	.38 [9.7]	OBSOLETE
3-830637-3	20.00 [508.0]	.38 [9.7]	
3-830637-4	15.00 [381.0]	.38 [9.7]	
3-830637-5	4.00 [101.6]	.38 [9.7]	OBSOLETE
3-830637-6	118.00 [2997.2]	.38 [9.7]	
3-830637-7	25.00 [635.0]	.38 [9.7]	OBSOLETE
3-830637-8	300.00 [7620.0]	.38 [9.7]	OBSOLETE
3-830637-9	196.88 [5000.8]	.38 [9.7]	
4-830637-0	144.00 [3657.6]	.38 [9.7]	OBSOLETE
4-830637-1	591.00 [15011.4]	.38 [9.7]	OBSOLETE
4-830637-2	30.00 [762.0]	.38 [9.7]	OBSOLETE
4-830637-3	16.00 [406.4]	.38 [9.7]	OBSOLETE
4-830637-4	158.00 [4013.2]	.38 [9.7]	
4-830637-5	237.00 [6019.8]	.38 [9.7]	
4-830637-6	19.75 [501.6]	.38 [9.7]	
4-830637-7	9.00 [228.6]	.38 [9.7]	OBSOLETE
4-830637-8	13.00 [330.2]	.38 [9.7]	OBSOLETE
4-830637-9	315.00 [8001.0]	-	OBSOLETE
5-830637-0	12.25 [311.15]	-	
5-830637-1	59.00 [1498.6]	.38 [9.7]	



- $\Delta$  1. TOLERANCE OF LEAD LENGTH:  
 UP TO 24 INCHES [609.6] =  $\pm .12$  [ $\pm 3.0$ ]  
 24 INCHES [609.6] & UP =  $\pm 1\%$
- 2. MARKED PER MIL-STD-130.
- 3. PIGTAIL IS SOLDER DIPPED.
- 4. TO MATE WITH AMP LGH-1L RECEPTACLE WITH 1.69 [42.93] BARREL DEPTH.
- 5. OPERATING VOLTAGE: 25 KVDC AT 0 TO 70,000 FEET; -55°C TO 125°C.
- 6. MIN LEAD LENGTH IS 5.00 [127.0].

THIS DRAWING IS A CONTROLLED DOCUMENT.		DWN C.C.THOMAS 12-5-90		TE Connectivity	
DIMENSIONS: INCHES		CHK D.OPLINGER 12-12-91		NAME LEAD ASSY, SGL. END, LGH-1L	
TOLERANCES UNLESS OTHERWISE SPECIFIED:		APVD D.OPLINGER 12-12-91	PRODUCT SPEC		
 0 PLC ± - 1 PLC ± - 2 PLC ± .02 [0.5] 3 PLC ± - 4 PLC ± - ANGLES ± -		APPLICATION SPEC		SIZE A2	CAGE CODE 00779
MATERIAL SEE CALLOUTS		WEIGHT -		DRAWING NO C=830637	RESTRICTED TO -
CUSTOMER DRAWING			SCALE 2:1	SHEET 1 OF 1	REV R1

830637

A