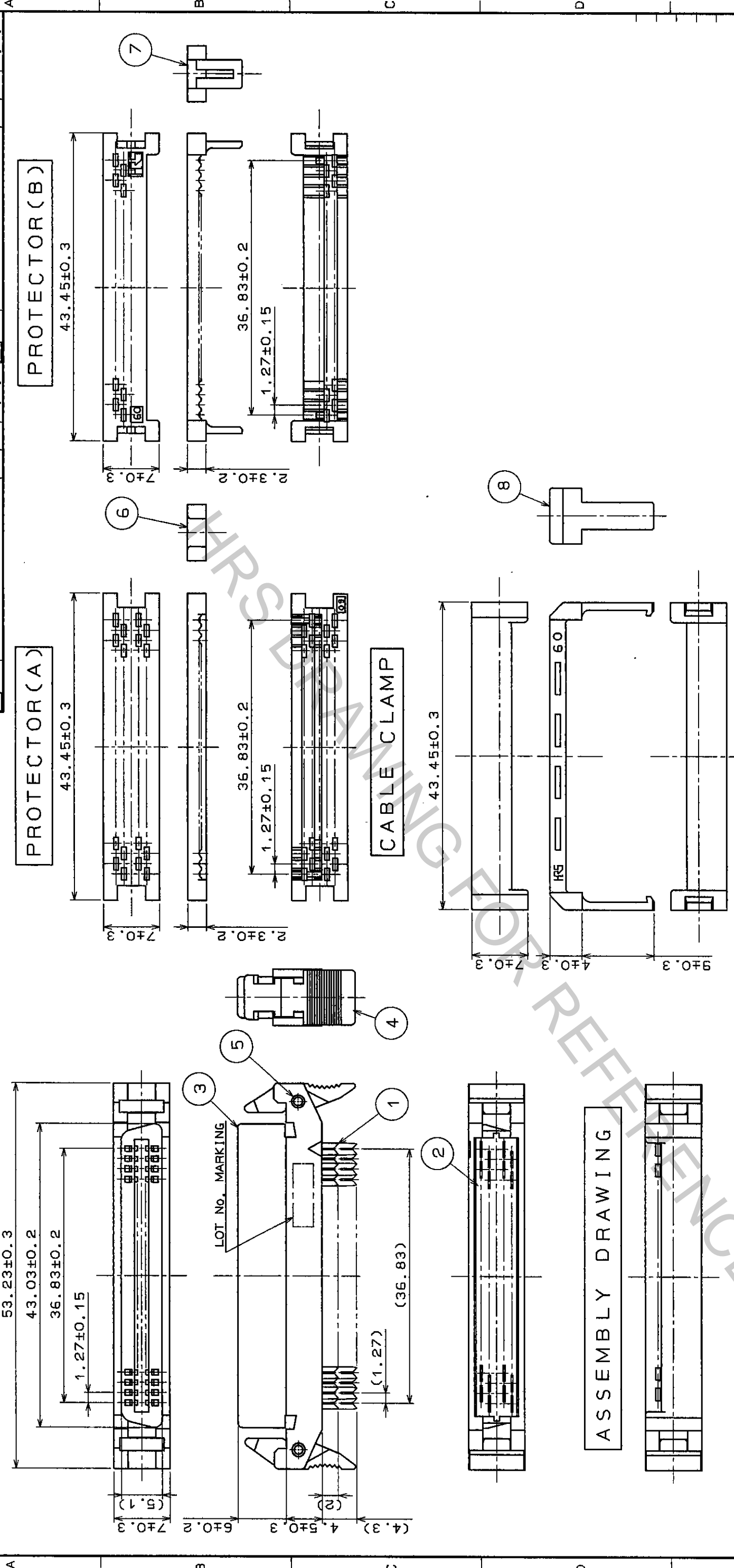


NO.	DESCRIPTION OF REVISIONS	BY	CHKD	DATE	COUNT	DESCRIPTION OF REVISIONS	BY	CHKD	DATE



NO.	MATERIAL	FINISH	REMARKS	NO.	MATERIAL	FINISH	REMARKS
4	PBT	BLACK	UL94V-0	8	POLYAMIDE	BLACK	UL94V-0
3	PBT	BLACK	UL94V-0	7	PBT	BLACK	UL94V-0
2	PBT	BLACK	UL94V-0	6	PBT	BLACK	UL94V-0
1	PHOSPHOR BRONZE	CONTACT AREA: GOLD (FLASH) UNDER PLATED: NICKEL INSULATION DISPLACEMENT AREA: NICKEL		5	SUS		

CODE NO. (OLD)	DRAWN	DESIGNED	CHECKED	APPROVED	RELEASED
	K. Tsunematsu	K. Tsunematsu	M. Yamaguchi	M. Yamaguchi	
	950930	950930	950930	950930	950930

DRAWING NO.	PART NO.
EDC3-150614	FX2B-60SA-1.27R
SCALE: FREE	CODE NO.
UNITS: mm	CL572-0625-3

