

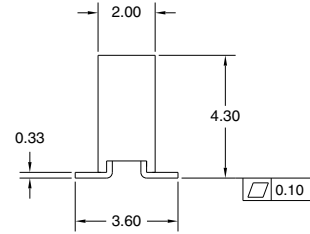
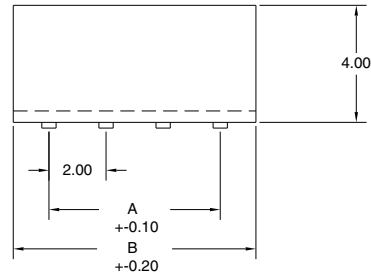
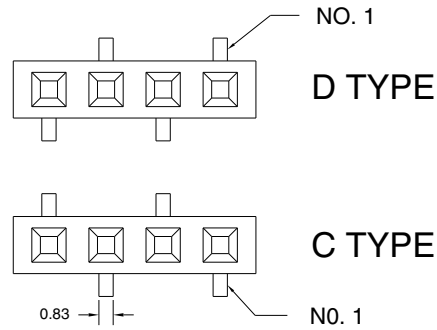
No. of Contacts	DIMENSIONS	
	A	B
4	6.00	8.50
5	8.00	10.50
6	10.00	12.50
7	12.00	14.50
8	14.00	16.50
9	16.00	18.50
10	18.00	20.50
11	20.00	22.50
12	22.00	24.50
13	24.00	26.50
14	26.00	28.50
15	28.00	30.50
16	30.00	32.50
17	32.00	34.50
18	34.00	36.50
19	36.00	38.50
20	38.00	40.50
21	40.00	42.50
22	42.00	44.50
23	44.00	46.50
24	46.00	48.50
25	48.00	50.50

SPECIFICATIONS

Current Rating: 1 Amp
 Insulator Resistance: 5000 Mega Ohms min.
 Contact Resistance: 20 milli Ohm Max.
 Dielectric Withstanding: 500 VAC
 Operating Temperature: -40 Degrees C. to +105 Degrees C.
 Max. Processing Temp: 230β for 30-60 seconds
 (260β for 10 seconds)

Contact Material: Phosphor Bronze.
 Insulator Material: Polyester, UL 94V-0
 ©Standard: Nylon-6T

Contact Finish: Selective Plating, Gold/Tin



SULLINS
 801 E. Mission Rd.
 San Marcos, CA 92069

GENERAL TOLERANCE	
XX. +	XXX. +
X. + 0.20	.XXX +
.X + 0.10	X Degree +
.XX + 0.05	.X Degree +

SCALE	UNIT	SIZE
NTS	MM	

DRAWN	CHECK	APPROVE

DATE

DWG. NO.	TITLE
T0020	
PARTS NO. PPPNxx1BFLC PPPNxx1BFLD	

REV.	SHEET