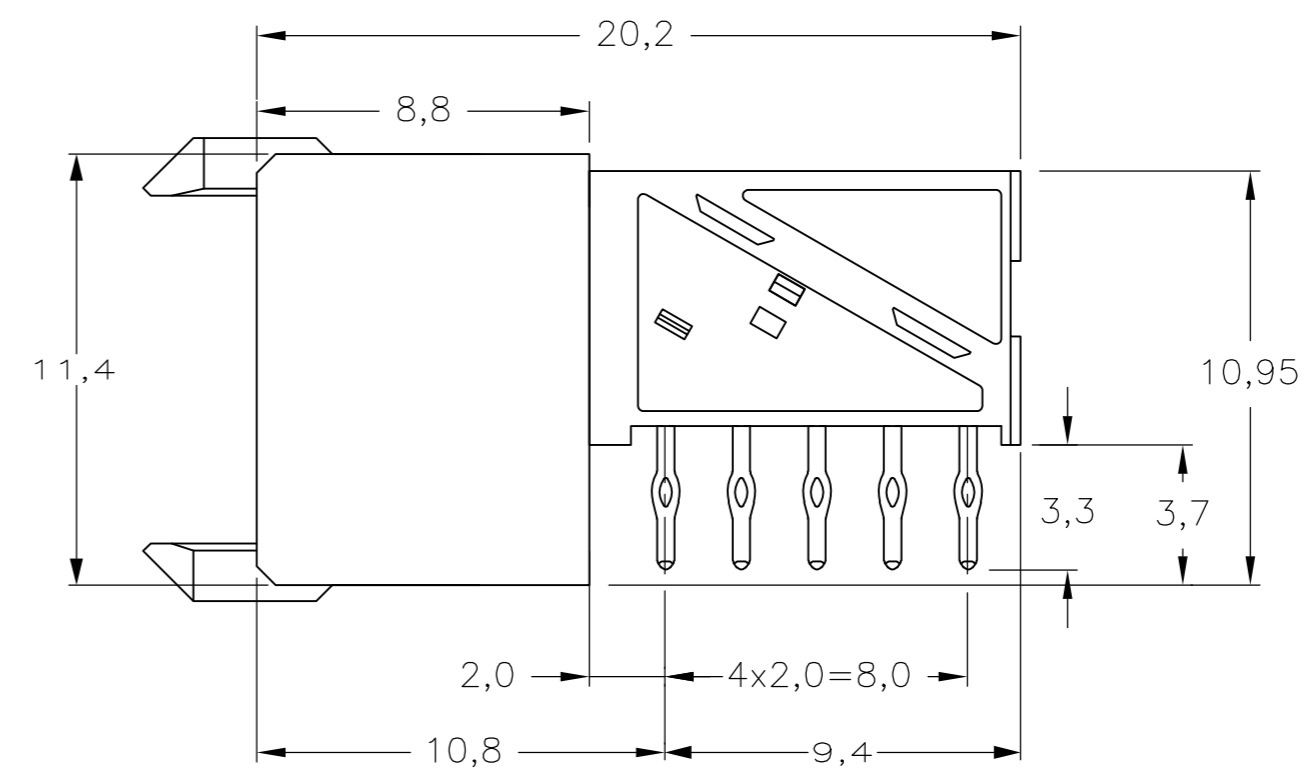
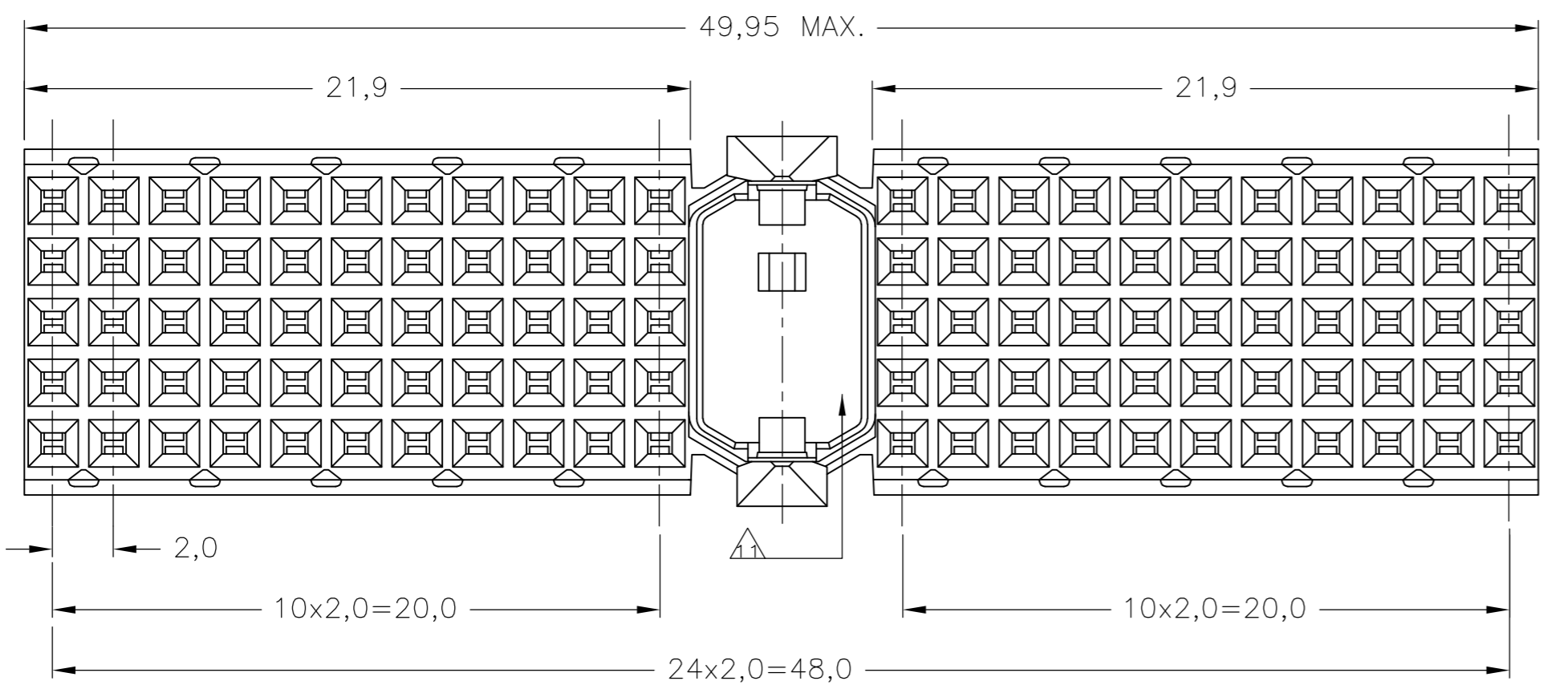
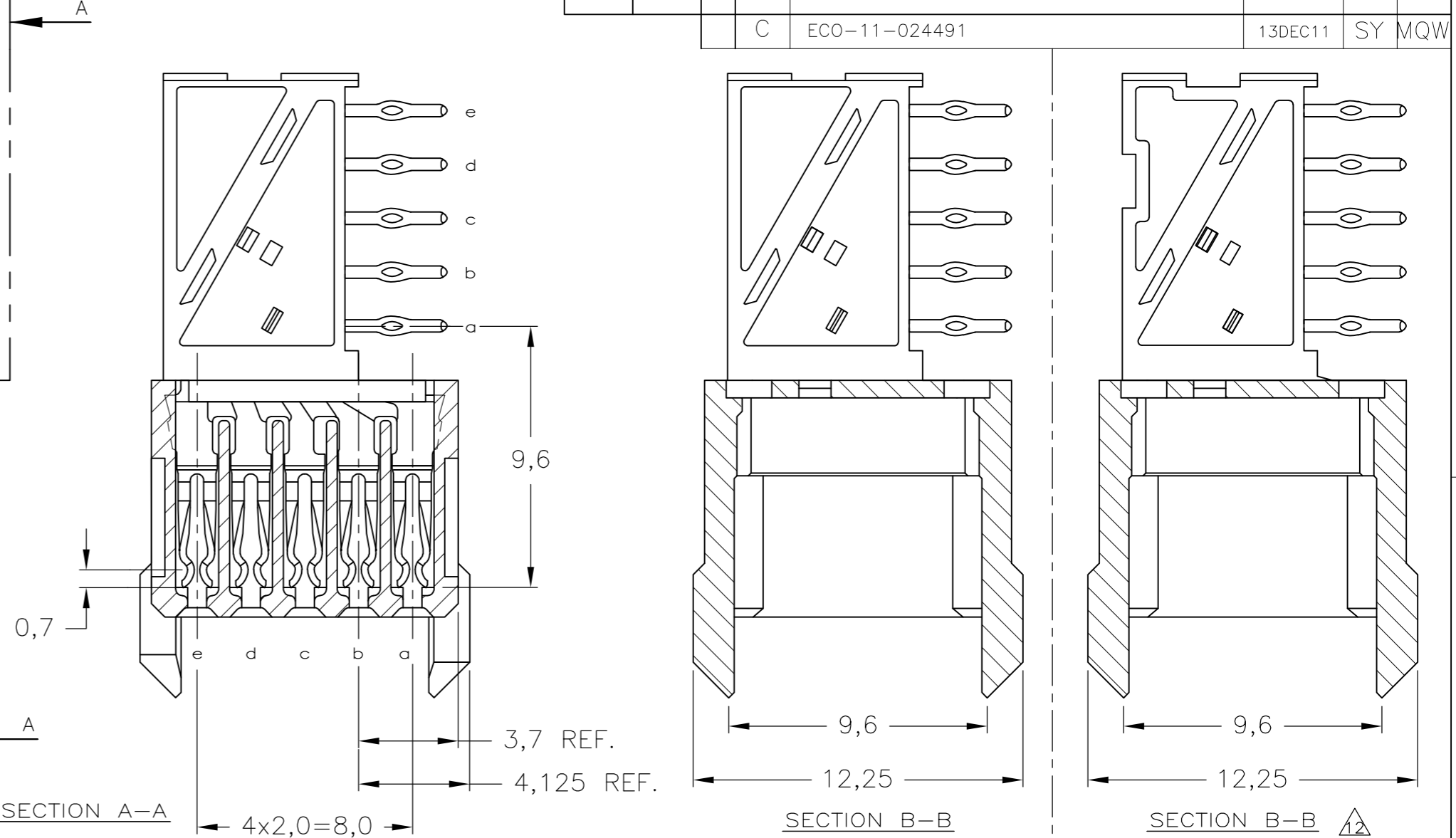
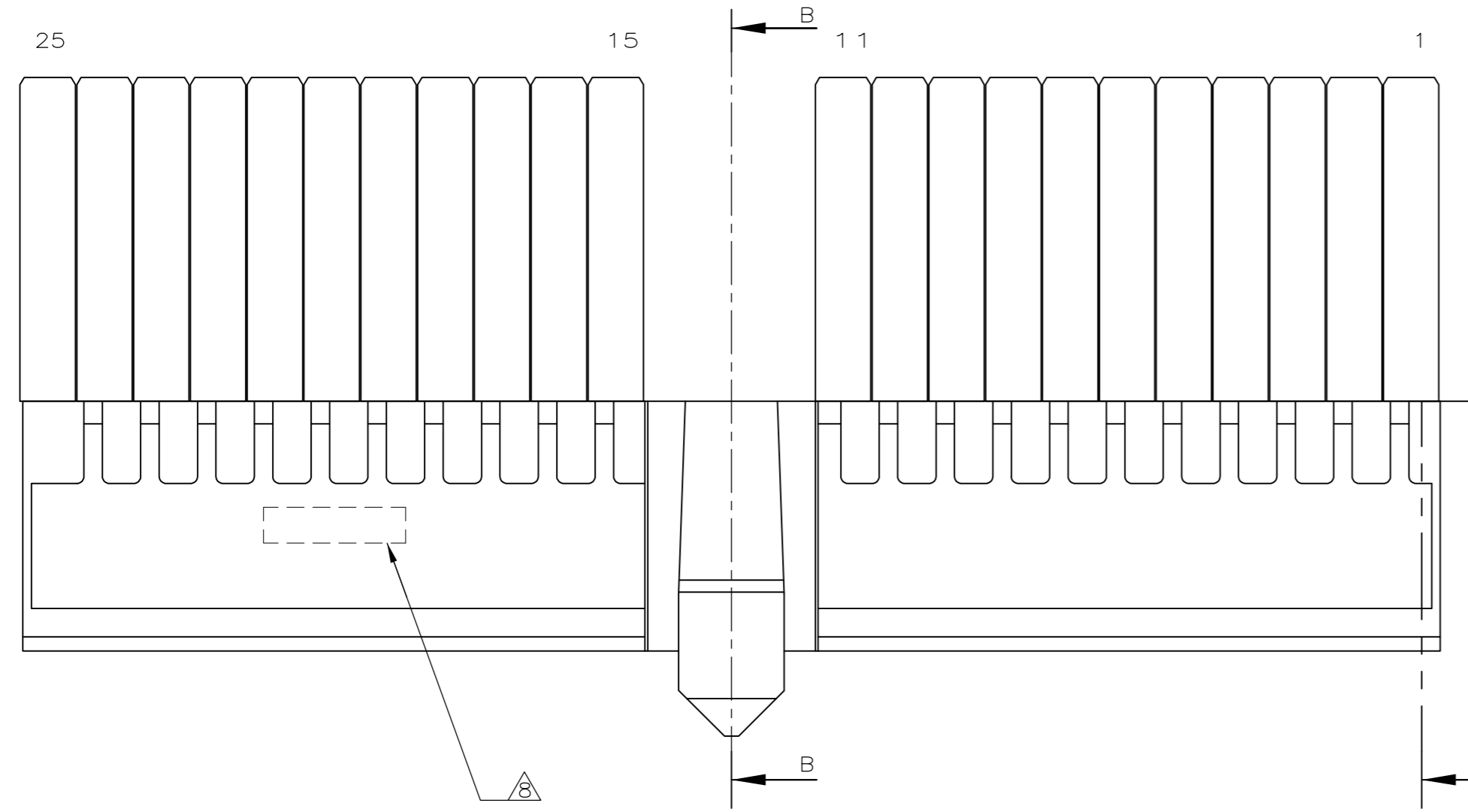
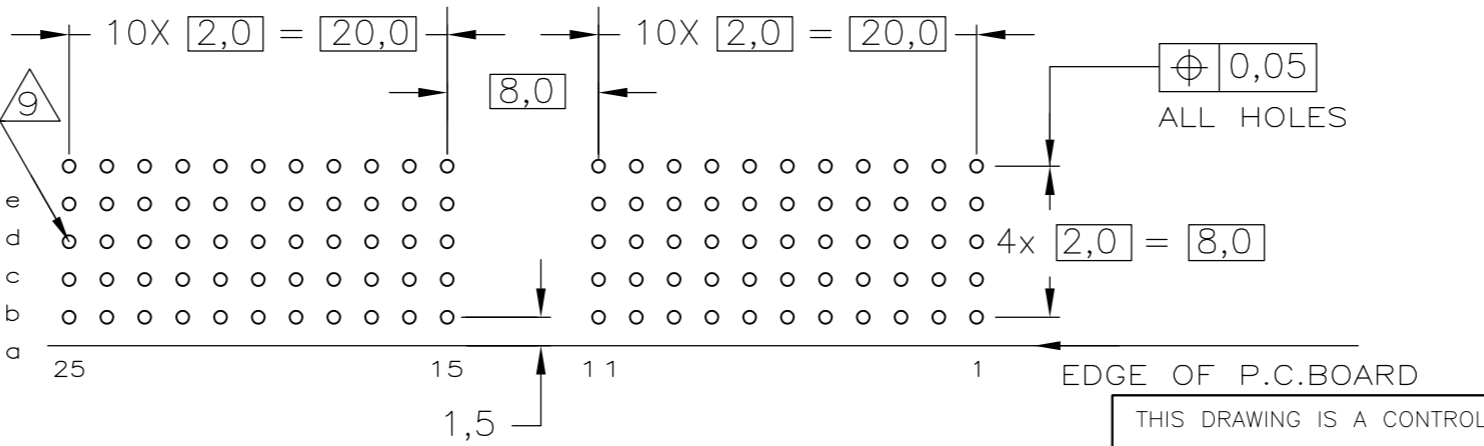


THIS DRAWING IS UNPUBLISHED. RELEASED FOR PUBLICATION  
 © COPYRIGHT BY TYCO ELECTRONICS CORPORATION. ALL RIGHTS RESERVED.

| LOC |     | DIST          |         | REVISIONS |      |  |  |
|-----|-----|---------------|---------|-----------|------|--|--|
| P   | LTR | DESCRIPTION   | DATE    | DWN       | APVD |  |  |
| C   |     | ECO-11-024491 | 13DEC11 | SY        | MQW  |  |  |



- NOTES:**
- ① MATERIAL CONTACT; PHOSPHORBRONZE
  - ② MATERIAL HOUSING; GLASSFILLED POLYESTER (GRAY) UL-RATING 49V0
  - ③ GENERAL PLATING SPECIFICATION: UNDERPLATING (ENTIRE CONTACT): 1,27µm NICKEL MIN. AND COMPLIANT PIN SECTION: 0,5µm TIN MIN. FOR PLATING OF MATING SURFACES SEE APPLICABLE SPECIFICATION REFERENCE FOR EACH DASH NUMBER.
  - ④ CONFORMS TO ALL TESTING ACCORDING IEC 61076-4-101 PERFORMANCE LEVEL 2.
  - ⑤ CONFORMS TO ALL TESTING ACCORDING IEC 61076-4-101 PERFORMANCE LEVEL 1.
  - ⑥ CONNECTOR TESTED AND QUALIFIED AGAINST TELCORDIA GR-1217-CORE QUALITY LEVEL III, CENTRAL OFFICE APPLICATIONS.
  - ⑦ CONNECTOR TESTED AND QUALIFIED AGAINST TELCORDIA GR-1217-CORE QUALITY LEVEL III, UNCONTROLLED ENVIRONMENT APPLICATIONS.
  - ⑧ CONNECTOR LUBRICATED WITH TELCORDIA GR-1217-CORE APPROVED LUBRICANT.
  - ⑨ CONNECTOR MARKED WITH PARTNUMBER AND DATECODE. THE MARKING CAN APPEAR ON THE FRONT SIDE OR ON THE BACK SIDE.
  - ⑩ PLATED-THROUGH HOLES AT 2x2mm SQUARE GRID. 110 HOLES.
  - ⑪ FITS WITH INTEGRATED GROUND RETURN UPERSHIELD, BASIC P.N. 5338107 AND INTEGRATED GROUND RETURN LOWERSHIELD, BASIC P.N. 5338108
  - ⑫ AREA RESERVED FOR CODING KEY, BASIC P.N. 100526
  - ⑬ CONNECTOR ASSEMBLED WITH ALTERNATE FEMALE CONTACTS.



SCALE 2,5:1  
 COMPONENT SIDE AS SHOWN  
 RECOMMENDED PCB-HOLE LAY-OUT

P.C.B. HOLE DIM. COMPLIANT PIN  
 FOR DETAILS SEE APPLICATION SPECIFICATION

THIS DRAWING IS A CONTROLLED DOCUMENT.

|             |  |
|-------------|--|
| DIMENSIONS: | TOLERANCES UNLESS OTHERWISE SPECIFIED: |
| mm          |  |
|             | 0-PLC ±                                |
|             | 1-PLC ±                                |
|             | 2-PLC ± ±0.2                           |
|             | 3-PLC ±                                |
|             | 4-PLC ±                                |
|             | ANGLES ±                               |
|             | FINISH                                 |

|                  |           |              |   |
|------------------|-----------|--------------|---|
| DWN              | 23-AUG-07 | J.van Hoek   | Tyco Electronics Corporation<br>'s-Hertogenbosch, 5222AR-32   |
| CHK              | 23-AUG-07 | B.Mooij      |   |
| APVD             | 23-AUG-07 | J.Broeksteeg |   |
| PRODUCT SPEC     | 108-19082 |              |   |
| APPLICATION SPEC | 114-19029 |              | NAME Z-PACK 2mm HM TYPE A<br>110 POS. FEMALE CONNECTOR        |
| WEIGHT           | -         |              | SIZE A2 CAGE CODE 00779 DRAWING NO. C=1857989 RESTRICTED TO - |
| CUSTOMER DRAWING |           |              | SCALE 5:1 SHEET 1 OF 1 REV C                                  |