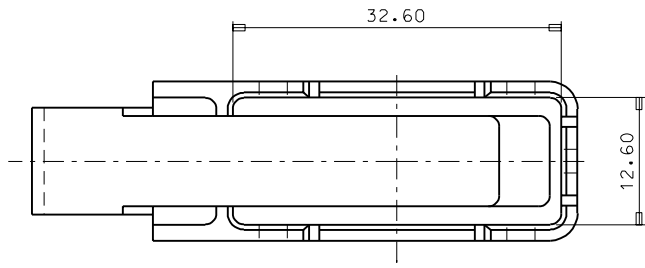
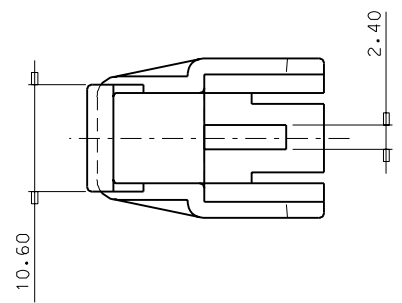
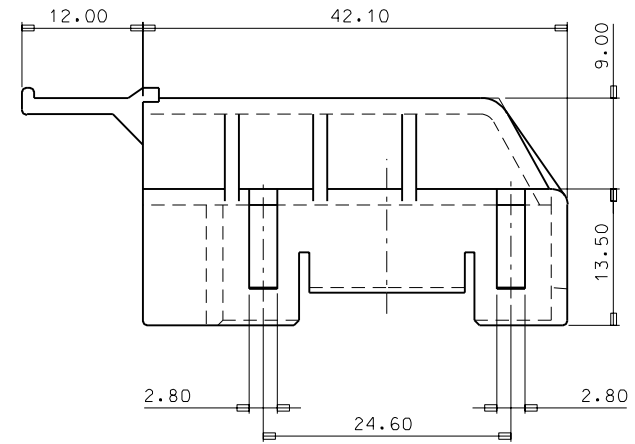
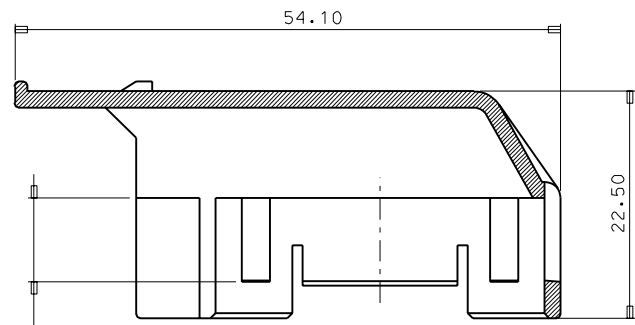


DO NOT SCALE DRAWING
DIMENSION IN METRIC

PROJECT NO.
SIMILAR ITEM
DWG. NO. SD-68503-005



NOTES

- MATERIAL : POLYESTER ,BLACK
- APPLICATION : OBD M/HSG 16P (ENG. NO.:68503-1602)

685030101		68503-0101		DIMENSIONS:		SHT	REV
NO.	MATERIAL NO.	ENG. NO.		<input type="checkbox"/> mm <input type="checkbox"/> INCH	<input type="checkbox"/> mm <input checked="" type="checkbox"/> INCH		
RELEASE TO MANUFACTURING EC NO.: KOR2002-0057 DRWN: H.C.RHO 2001/12/29 CHK: H.C.RHO 2001/12/29 APPR: C.W.LEE 2001/12/29	QUALITY SYMBOLS MAJOR ▲ = CRITICAL ▽ =	GENERAL TOLERANCES: (UNLESS SPECIFIED)		SCALE 2:1	DESIGN UNITS <input checked="" type="checkbox"/> mm <input type="checkbox"/> INCH	THIRD ANGLE PROJECTION	
			mm	INCH	DRAWN BY & DATE H.C.RHO 011229		TITLE: OBD WIRE DRESS COVER
		4 PLACES	±0.	±.	CHECKED BY & DATE H.C.RHO 011229		
		3 PLACES	±0.	±.	APPROVED BY & DATE C.W.LEE 011229		
		2 PLACES	±0.3	±.	CAD FILENAME SOBDCOV		
1 PLACE	±0.	±.	MATERIAL NO. SEE TABLE				
ANGULAR: ± 1°		DRAFT WHERE APPLICABLE MUST REMAIN WITHIN DIMENSIONS		MATERIAL NO. SEE TABLE		DRAWING NO. SD-68503-005	SHEET NO. 1 OF 1
A		REV		THIS DRAWING CONTAINS INFORMATION THAT IS PROPRIETARY TO MOLEX INCORPORATED AND SHOULD NOT BE USED WITHOUT WRITTEN PERMISSION.		MOLEX INCORPORATED KOREA	
						SIZE B	