

Evaluation Board for the **AD5570** 16-Bit $\pm 12\text{ V}/\pm 15\text{ V}$ Serial Input Voltage Output DAC

FEATURES

Full-featured evaluation board for the **AD5570**

Link options

PC control in conjunction with the Analog Devices, Inc.,
system demonstration platform

PC software for control

DEVICE DESCRIPTION

The **AD5570** is a single 16-bit serial input, voltage output DAC that operates from supply voltages of $\pm 11.4\text{ V}$ up to $\pm 16.5\text{ V}$. INL and DNL are accurate to 1 LSB (maximum).

Complete specifications for the **AD5570** are provided in the **AD5570** data sheet, available from Analog Devices, and should be consulted in conjunction with this user guide when using the evaluation board.

EVALUATION BOARD DESCRIPTION

The **EVAL-AD5570SDZ** is a full-featured evaluation board that is designed to allow the user to easily evaluate all features of the **AD5570** voltage output, 16-bit digital-to-analog converter (DAC).

Components on the **AD5570** evaluation board include SMB connectors for interfacing to other equipment, a 5 V voltage reference, and a ground force sense. Testpoints are provided on all of the digital interface signal lines for ease of monitoring. The user has the option of inserting both a resistive and capacitive load on the output of the **AD5570** at C1 and R1.

The board can be controlled by the system demonstration platform (SDP) connector (J1). The SDP board allows the evaluation board to be controlled through the USB port of a Windows® XP (SP2 or later) or more recent 32-bit or 64-bit (Vista, Windows 7) PC using the **AD5570** evaluation software.

FUNCTIONAL BLOCK DIAGRAM

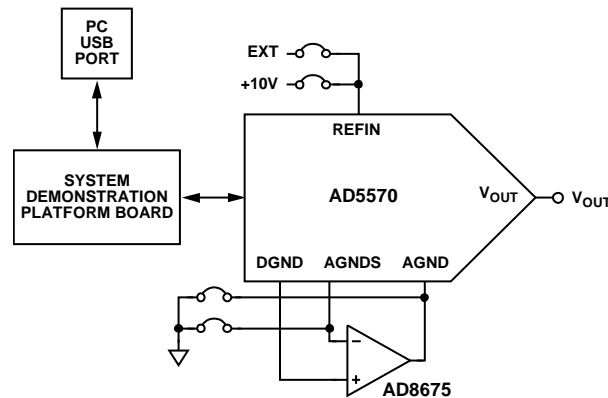


Figure 1.

10579-001

TABLE OF CONTENTS

Features	1	On-Board Connectors	3
Device Description	1	Evaluation Board Software	4
Evaluation Board Description.....	1	Software Installation	4
Functional Block Diagram	1	Software Operation	4
Revision History	2	Features of the AD5570 Evaluation Board Software	5
Evaluation Board Hardware	3	Evaluation Board Schematics and Artwork	6
Power Supplies	3	Ordering Information.....	10
Link Options	3	Bill of Materials.....	10

REVISION HISTORY

3/12—Revision 0: Initial Version

EVALUATION BOARD HARDWARE

POWER SUPPLIES

The following external supplies must be provided:

- +11.4 V to +16.5 V between the V_{DD} and AGND inputs for the positive analog supply of the [AD5570](#).
- -11.4 V to -16.5 V between the V_{SS} and AGND inputs for the negative analog supply of the [AD5570](#).

The analog and digital planes are connected at one location, close to the [AD5570](#). To avoid ground loop problems, it is recommended AGND and DGND not be connected elsewhere in the system.

Each supply is decoupled to the relevant ground plane with 10 μ F and 0.1 μ F capacitors. Each device supply pin is also decoupled with a 10 μ F and 0.1 μ F capacitor pair to the relevant ground plane.

LINK OPTIONS

The link options on the evaluation board should be set for the required operating setup before using the board. The functions of the link options are described in Table 3.

Table 3. Link Options

Link No.	Description
LK1	LK1 is used in conjunction with LK2 to select whether the on-board ground force sense buffer is used.
LK2	When LK1 and LK2 are inserted, the ground force sense buffer is not used, the ground pins are connected directly to 0V, and the buffer is removed from the ground loop. When LK1 and LK2 are removed, the ground force sense buffer is used.
LK3	This link is used to select the internal or the external reference. When LK3 is inserted, the on-board reference is selected as the voltage reference source for the AD5570 . When LK3 is removed, an external voltage reference can be applied to Connector VREF.

Default Link Option Setup

The default link options are listed in Table 1.

Table 1. Default Link Options

Link Number	Option
LK1	Inserted
LK2	Inserted
LK3	Inserted

ON-BOARD CONNECTORS

There are four connectors on the [AD5570](#) evaluation board PCB as outlined in Table 2.

Table 2. On-Board Connectors

Connector	Function
J1	SDP board connector
J5	Analog power supply connector
VOUT	DAC output connector
VREF	External reference voltage input connector

EVALUATION BOARD SOFTWARE

SOFTWARE INSTALLATION

The **AD5570** evaluation kit includes self-installing software on a CD. The software is compatible with Windows XP (SP2), Vista, and Windows 7 (32-bit or 64-bit). If the setup file does not run automatically, you can run the **setup.exe** file from the CD.

Install the evaluation software before connecting the evaluation board and SDP board to the USB port of the PC to ensure that the evaluation system is correctly recognized when connected to the PC.

After installation from the CD is complete,

1. Power up the **AD5570** evaluation board as described in the Power Supplies section. Connect the SDP board (via either Connector A or Connector B) to the **AD5570** evaluation board and then to the USB port of your PC using the supplied cable.
2. When the evaluation system is detected, proceed through any dialog boxes that appear. This completes the installation.

SOFTWARE OPERATION

To launch the software, complete the following steps:

1. From the **Start** menu, select **Analog Devices > AD5570 > AD5570 Evaluation Software**. The main window of the software opens (see Figure 3).
2. If the evaluation system is not connected to the USB port when the software is launched, a connectivity error is displayed (see Figure 2). Connect the evaluation board to the USB port of the PC, wait a few seconds, click **Rescan**, and follow the instructions.

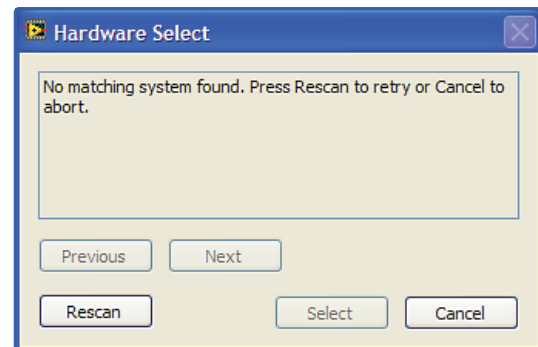


Figure 2. Connectivity Error Alert

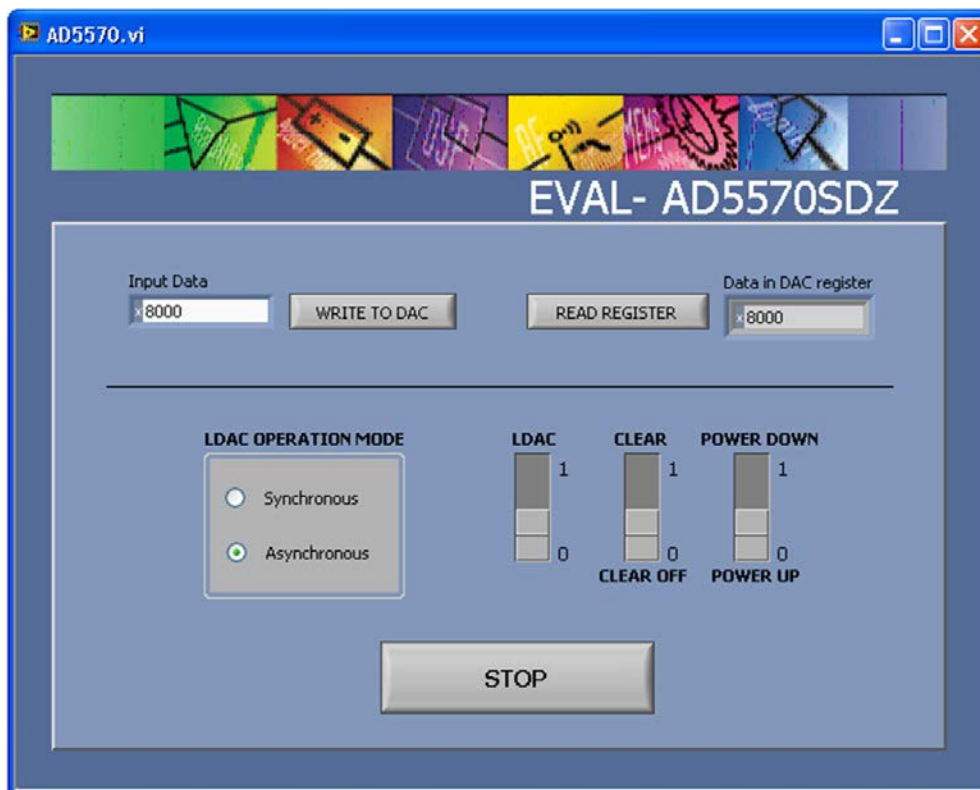


Figure 3. Main Window

FEATURES OF THE AD5570 EVALUATION BOARD SOFTWARE

The software allows the user to control all the functionality of the [AD5570](#). The main features are as follows:

- Load DAC register with a 16-bit word and update the [AD5570](#) output.
- Data readback of the contents of the input shift register.
- Power down/power up the [AD5570](#).
- Clear the [AD5570](#) output to 0 V.

Each of these features is described in the following sections.

Load DAC

In the Input Data field, the user types the 16-bit word to be programmed to the [AD5570](#) and clicks the **WRITE TO DAC** button.

In LDAC synchronous loading mode, the **WRITE TO DAC** button writes the required data to the input shift register and toggles the LDAC signal, which then loads the DAC register and updates the output voltage.

In LDAC asynchronous loading mode, the **WRITE TO DAC** button writes the required data to the input shift register, but the user toggles the LDAC signal by clicking the **LDAC** switch to load the DAC register and update the output voltage.

Data Readback

Clicking the **READ REGISTER** button reads back and displays the current contents of the DAC register.

Power Down/Power Up

This function allows the user to place the [AD5570](#) in power-down mode and to remove the [AD5570](#) from power-down mode. Clicking the **POWER DOWN** switch places the [AD5570](#) in power-down mode, at the same time the text on the button changes to **POWER UP**, indicating that clicking the button again removes the [AD5570](#) from power-down mode.

Clear

Clicking the **CLEAR** switch causes the $\overline{\text{CLR}}$ signal of the [AD5570](#) to be pulsed low, which has the effect of setting the output voltage to 0 V.

EVALUATION BOARD SCHEMATICS AND ARTWORK

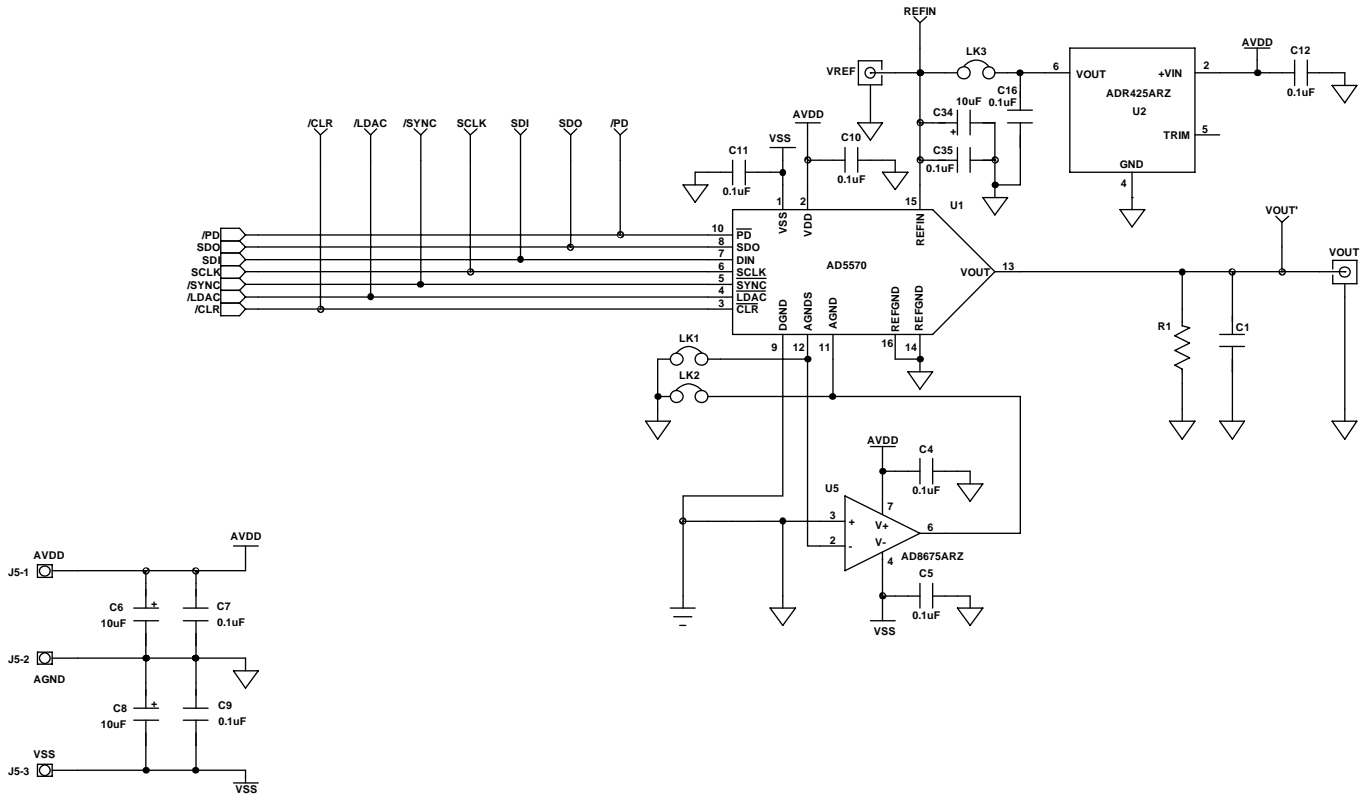


Figure 4. Schematic of the AD5570 Circuitry

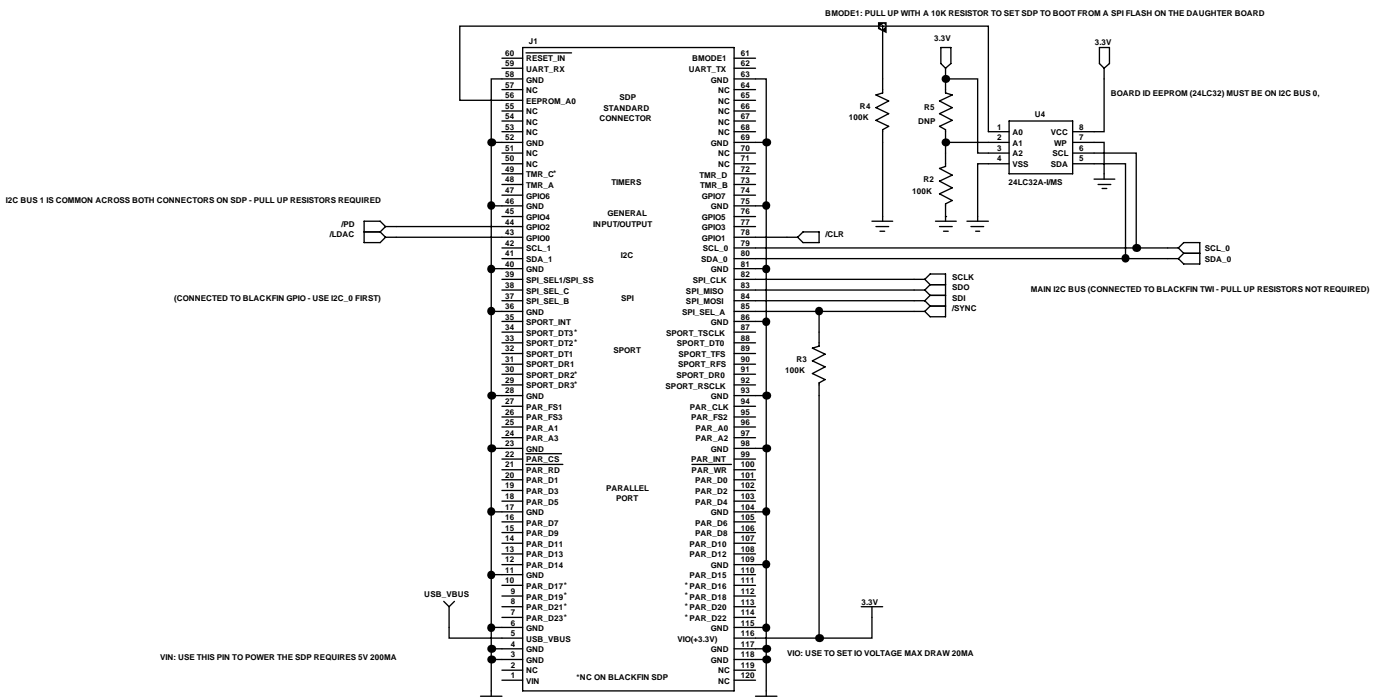


Figure 5. Schematic of the SDP Board Connector

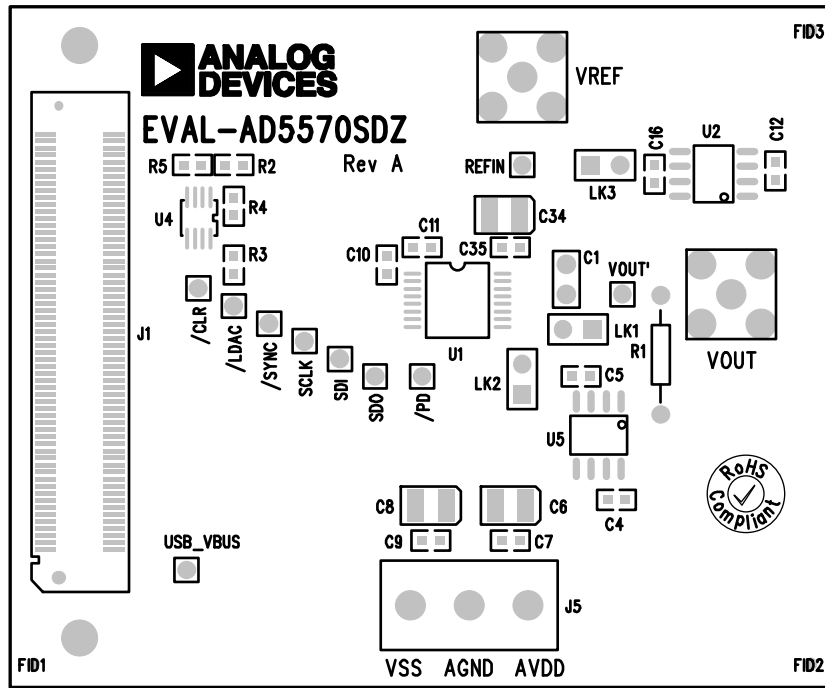


Figure 6. Component Placement Schematic

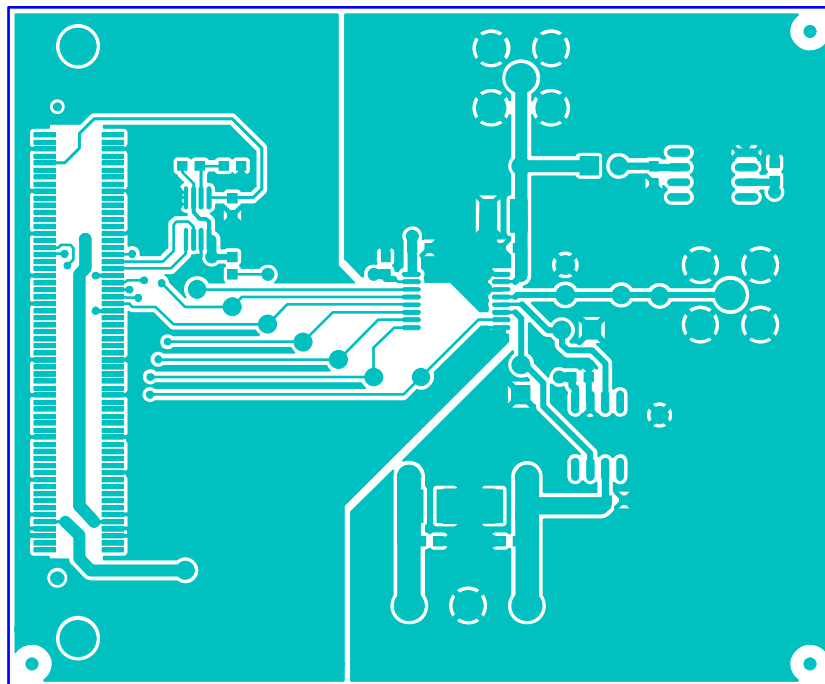
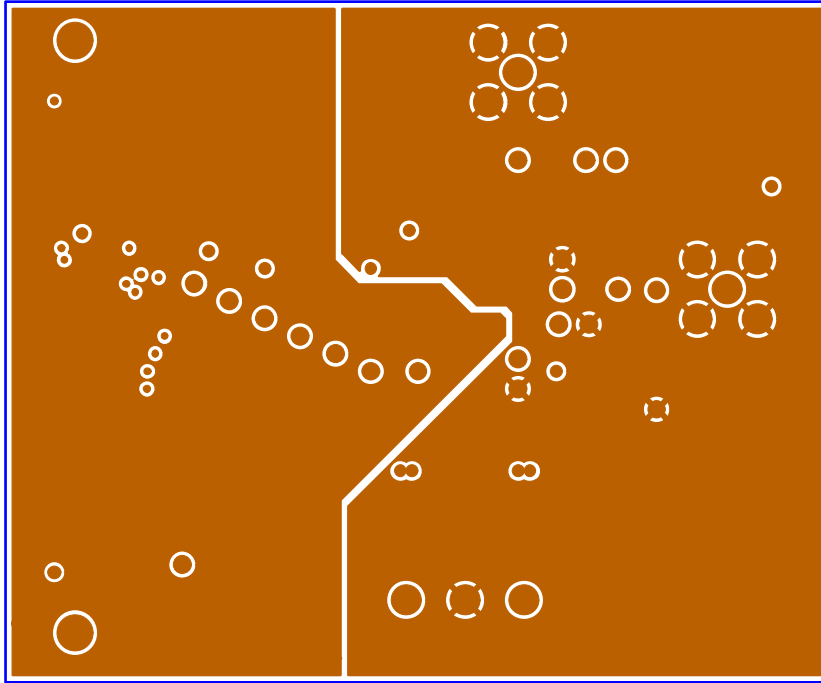
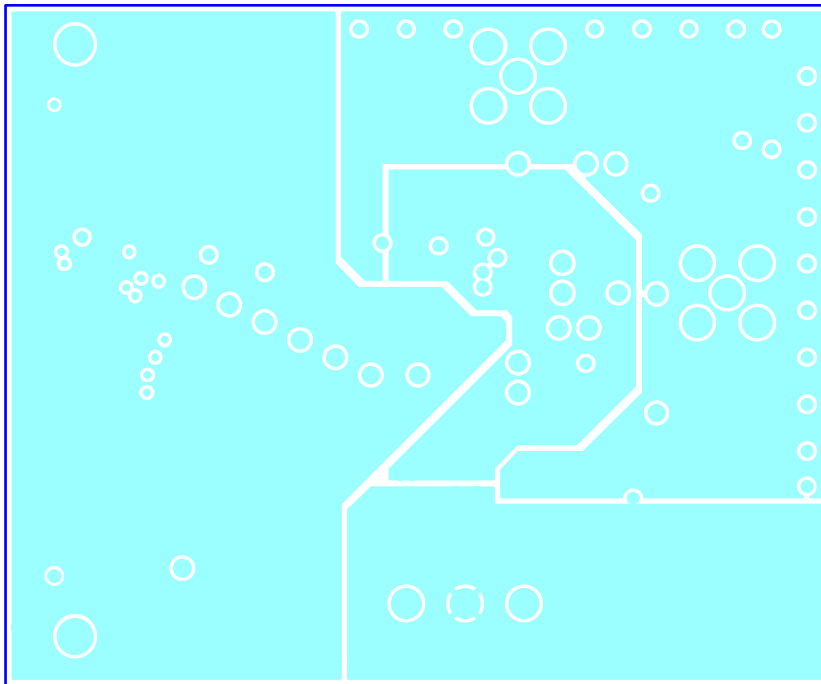


Figure 7. Top Printed Circuit Board (PCB) Layer Schematic



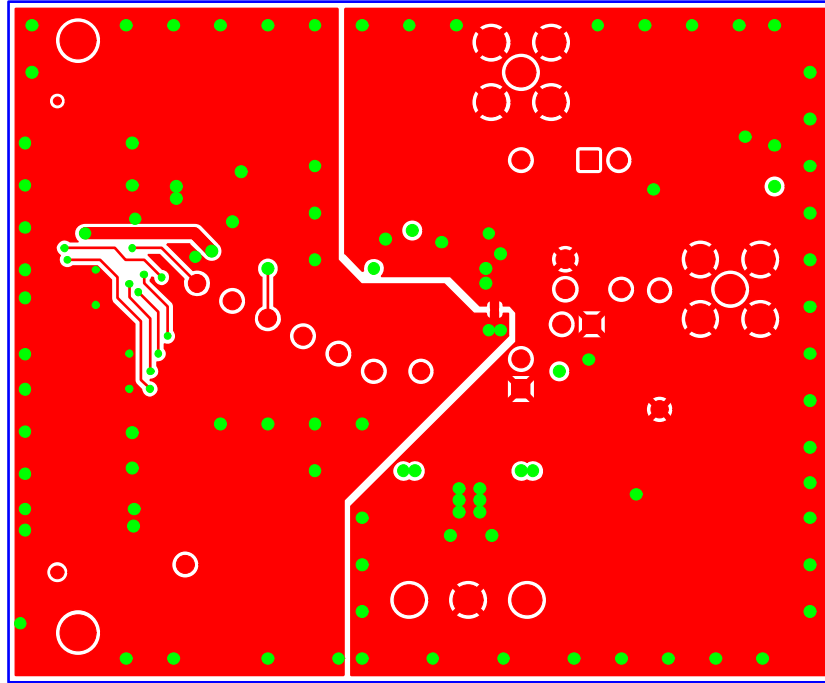
10579-008

Figure 8. Inner First PCB Layer Schematic



10579-008

Figure 9. Inner Second PCB Layer Schematic



10579-010

Figure 10. Bottom PCB Layer Schematic

ORDERING INFORMATION

BILL OF MATERIALS

Table 4.

Reference Designator	Part Description	Part Number	Stock Code
/CLR, /LDAC, /PD, /SYNC, REFIN, SCLK, SDI, SDO, USB_VBUS, VOUT [†]	Testpoint	20-313137	FEC 8731144
C1, C4, C5, C7, C9, C10, C11, C12, C16, C35	Gold plated pin receptacles	73007015	Analog Devices 73007015
C6, C8, C34	Capacitor +, Case B, 10 μ F, 20 V	TAJB106K020RNJ	FEC 197427
J1	120-way connector, 0.6 mm pitch	FX8-120S-SV(21)	FEC 1324660
J5	3-pin terminal block, 5 mm pitch	CTB5000/3	FEC 151790
LK1, LK2, LK3	Jumper block, 2 pins, 0.1" spacing	M20-9990246	FEC 1022247 and FEC 150-411
R1	Gold plated pin receptacle, 4.7 k Ω	73007015	Analog Devices 73007015
R2, R3, R4	SMD resistor, 100 k Ω	MC 0.063W 0603 1% 100K	FEC 9330402
R5	SMD resistor	N/A	Not inserted
U1	16-bit \pm 12 V/ \pm 15 V serial input voltage output DAC	AD5570BRSZ	AD5570BRSZ
U2	5 V reference	ADR425ARZ	ADR425ARZ
U4	32 kB I ² C Serial EEPROM, MSOP8	24LC32A-I/MS	FEC 1331330
U5	Single op amp, 8-lead SOIC	AD8675ARZ	AD8675ARZ
VOUT, VREF	Jack SMB, straight	1-1337482-0	FEC 1206013

NOTES

NOTES

**ESD Caution**

ESD (electrostatic discharge) sensitive device. Charged devices and circuit boards can discharge without detection. Although this product features patented or proprietary protection circuitry, damage may occur on devices subjected to high energy ESD. Therefore, proper ESD precautions should be taken to avoid performance degradation or loss of functionality.

Legal Terms and Conditions

By using the evaluation board discussed herein (together with any tools, components documentation or support materials, the "Evaluation Board"), you are agreeing to be bound by the terms and conditions set forth below ("Agreement") unless you have purchased the Evaluation Board, in which case the Analog Devices Standard Terms and Conditions of Sale shall govern. Do not use the Evaluation Board until you have read and agreed to the Agreement. Your use of the Evaluation Board shall signify your acceptance of the Agreement. This Agreement is made by and between you ("Customer") and Analog Devices, Inc. ("ADI"), with its principal place of business at One Technology Way, Norwood, MA 02062, USA. Subject to the terms and conditions of the Agreement, ADI hereby grants to Customer a free, limited, personal, temporary, non-exclusive, non-sublicensable, non-transferable license to use the Evaluation Board FOR EVALUATION PURPOSES ONLY. Customer understands and agrees that the Evaluation Board is provided for the sole and exclusive purpose referenced above, and agrees not to use the Evaluation Board for any other purpose. Furthermore, the license granted is expressly made subject to the following additional limitations: Customer shall not (i) rent, lease, display, sell, transfer, assign, sublicense, or distribute the Evaluation Board; and (ii) permit any Third Party to access the Evaluation Board. As used herein, the term "Third Party" includes any entity other than ADI, Customer, their employees, affiliates and in-house consultants. The Evaluation Board is NOT sold to Customer; all rights not expressly granted herein, including ownership of the Evaluation Board, are reserved by ADI. CONFIDENTIALITY. This Agreement and the Evaluation Board shall all be considered the confidential and proprietary information of ADI. Customer may not disclose or transfer any portion of the Evaluation Board to any other party for any reason. Upon discontinuation of use of the Evaluation Board or termination of this Agreement, Customer agrees to promptly return the Evaluation Board to ADI. ADDITIONAL RESTRICTIONS. Customer may not disassemble, decompile or reverse engineer chips on the Evaluation Board. Customer shall inform ADI of any occurred damages or any modifications or alterations it makes to the Evaluation Board, including but not limited to soldering or any other activity that affects the material content of the Evaluation Board. Modifications to the Evaluation Board must comply with applicable law, including but not limited to the RoHS Directive. TERMINATION. ADI may terminate this Agreement at any time upon giving written notice to Customer. Customer agrees to return to ADI the Evaluation Board at that time. LIMITATION OF LIABILITY. THE EVALUATION BOARD PROVIDED HEREUNDER IS PROVIDED "AS IS" AND ADI MAKES NO WARRANTIES OR REPRESENTATIONS OF ANY KIND WITH RESPECT TO IT. ADI SPECIFICALLY DISCLAIMS ANY REPRESENTATIONS, ENDORSEMENTS, GUARANTEES, OR WARRANTIES, EXPRESS OR IMPLIED, RELATED TO THE EVALUATION BOARD INCLUDING, BUT NOT LIMITED TO, THE IMPLIED WARRANTY OF MERCHANTABILITY, TITLE, FITNESS FOR A PARTICULAR PURPOSE OR NON-INFRINGEMENT OF INTELLECTUAL PROPERTY RIGHTS. IN NO EVENT WILL ADI AND ITS LICENSORS BE LIABLE FOR ANY INCIDENTAL, SPECIAL, INDIRECT, OR CONSEQUENTIAL DAMAGES RESULTING FROM CUSTOMER'S POSSESSION OR USE OF THE EVALUATION BOARD, INCLUDING BUT NOT LIMITED TO LOST PROFITS, DELAY COSTS, LABOR COSTS OR LOSS OF GOODWILL. ADI'S TOTAL LIABILITY FROM ANY AND ALL CAUSES SHALL BE LIMITED TO THE AMOUNT OF ONE HUNDRED US DOLLARS (\$100.00). EXPORT. Customer agrees that it will not directly or indirectly export the Evaluation Board to another country, and that it will comply with all applicable United States federal laws and regulations relating to exports. GOVERNING LAW. This Agreement shall be governed by and construed in accordance with the substantive laws of the Commonwealth of Massachusetts (excluding conflict of law rules). Any legal action regarding this Agreement will be heard in the state or federal courts having jurisdiction in Suffolk County, Massachusetts, and Customer hereby submits to the personal jurisdiction and venue of such courts. The United Nations Convention on Contracts for the International Sale of Goods shall not apply to this Agreement and is expressly disclaimed.