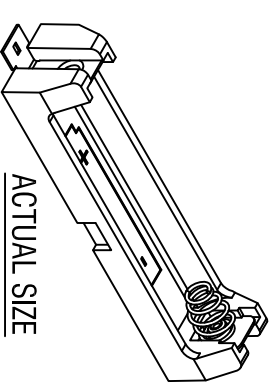
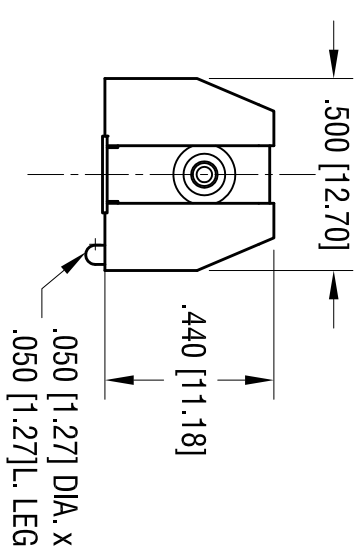
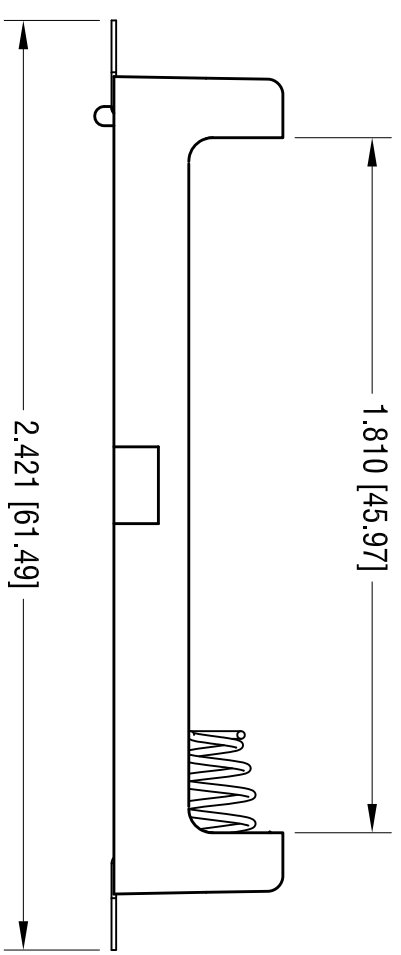
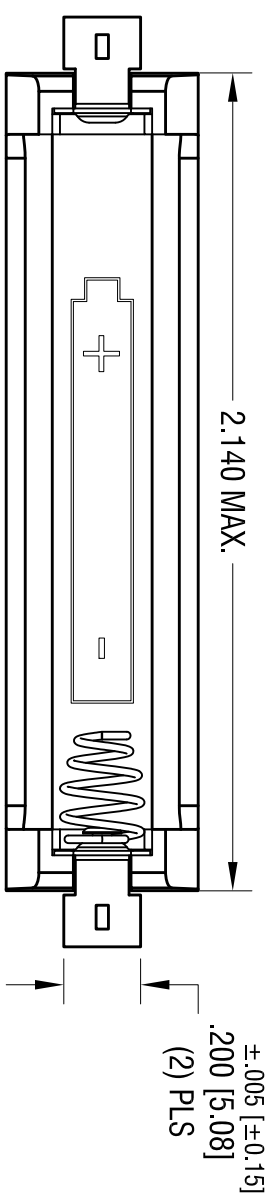
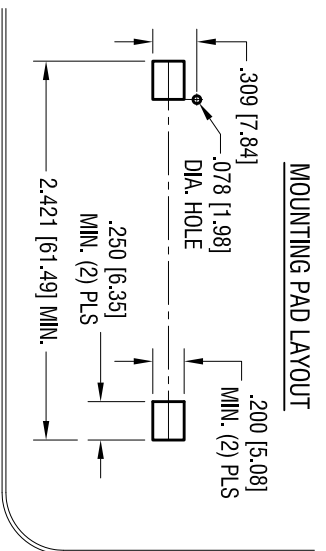


DATE	DESCRIPTION	REV.



- NOTE:**
- 1. BASE:**
MAT'L: HEAT RESISTANCE NYLON
STANYL 46 OR EQUIVALENT
 - 2. CONTACTS:**
MAT'L: BASE - .012 [0.30] THK STAINLESS STEEL
SPRING - .020 [0.50] DIA. MUSIC WIRE
FINISH: GOLD FLASH, OVER NICKEL PLATE.

KEYSTONE ELECTRONICS CORP.			
www.keystec.com • ASTORIA, N.Y. 11105-2017 • Tel (718) 956-8900			
PART NAME SMT SINGLE BATTERY HOLDER, AAA			
MATERIAL AS NOTED			
FINISH AS NOTED			
TOLERANCES	INCH	[MM]	CODE
DECIMAL	± .010	[± 0.25]	C
ANGULAR	± 1°		
UNLESS OTHERWISE SPECIFIED			
DRN BY	DATE	SCALE	DWG NO.
NT	6.12.14	2X	1076