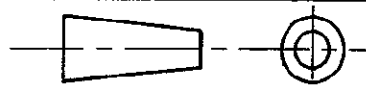


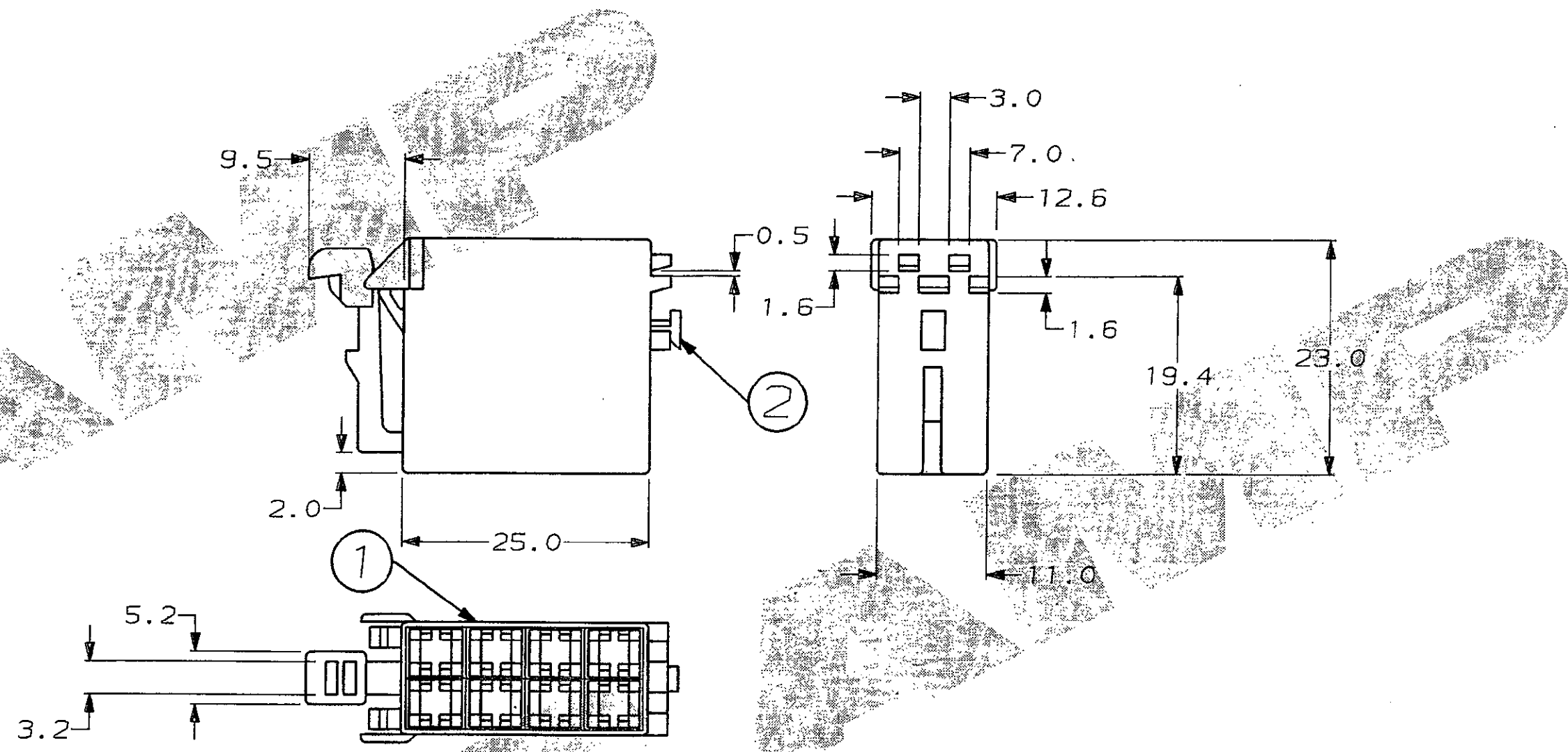
8 7 6 5 4 3 2 1

DO NOT SCALE

DIMENSIONS IN MM.



C.A.D. FILE CODE
S. C347781.0



2	RETAINER, YELLOW	928542-1	347781-1
1	8 POS. HOUSING, BROWN	964409-1	
ITEM NO.	DESCRIPTION	MATERIAL	PART NUMBER
CUSTOMER DWG FOR REFERENCE ONLY		© COPYRIGHT 1993 BY AMP OF GREAT BRITAIN LTD. ALL INTERNATIONAL RIGHTS RESERVED. ALL PRODUCTS MAY BE COVERED BY BRITISH AND FOREIGN PATENTS AND/OR PATENTS PENDING.	
		RELEASED FOR PUBLICATION 14 MAY 1993	
		DR. P. GAULTON 14-MAY-93	
		CH. D.B.K-M. APP. P. GAULTON	
		AMP of Great Britain Ltd.	
		TERMINAL HOUSE STANMORE MIDOX.	
		NAME 8 POS. RADIO CONNECTOR JUNIOR TIMER	
0	P. GAULTON	EB00-0182-93	14-MAY-93
REV	APPROVED	CHANGE No.	DATE
		SCALE 2/1	LOC E
		SIZE A3	DWG.No. C347781
		REV 0	SHEET 1/1