

## Miniature 10 Amps • 4PDT Magnetic Latching To MIL-PRF-83536

## SPECIFICATIONS

### GENERAL

<b>Contact Arrangement</b> .....	4PDT (4 Form C) Magnetic Latching
<b>Weight</b> .....	2.2 oz approx. Designed to meet the requirements of MIL-PRF-83536

### PERFORMANCE

<b>Contact Rating (Note 1)</b>	
Resistive .....	10 Amps @ 28 VDC or 115/208V 400 Hz (Case Grounded)
Inductive .....	8 Amps @ 28 VDC or 115/208V 400 Hz (Case Grounded) 2.5 Amps @ 115/208V 60 Hz (Case Grounded)
Motor .....	4 Amps 28 VDC or 115/208V 400 Hz (Case Grounded) 2 Amps @ 115/208V 60 Hz (Case Grounded)
Lamp .....	2 Amps @ 28 VDC or 115/208V 400 Hz (Case Grounded) 1.5 Amps @ 115/208V 60 Hz (Case Grounded)
<b>Life</b> .....	100,000 operations minimum @ rated resistive load, 125°C
<b>Latch/Reset Power</b> .....	500 mw approx.

<b>Latch/Reset Time:</b>	<b>DC Coil</b>	<b>AC Coil</b>
	15 ms max	50 ms max
Excluding bounce time at nominal coil voltage		

<b>Contact Bounce Time</b> .....	1 ms max @ rated contact load, 28 VDC
----------------------------------	--

<b>Contact Voltage Drop:</b>	
Before Life .....	150 mv max @ 10 Amps and 6 VDC
After Life .....	175 mv max @ 10 Amps and 6 VDC

### ENVIRONMENTAL

<b>Temperature Range</b> .....	-70°C to +125°C
<b>Vibration (Note 2)</b> .....	0.12" DA 10 - 70 Hz 30 G's 70 - 3,000 Hz
<b>Shock (Operating)(Note 2)</b> .....	200 G's 6 ms

### ELECTRICAL CHARACTERISTICS

<b>Duty Cycle</b> .....	Continuous
<b>Insulation Resistance</b> .....	100 megohms @ 500V 25°C
<b>Dielectric Strength:</b>	
Sea Level:	
Contact to Case .....	1,250 VRMS
Contact to Coil .....	1,250 VRMS
Coil to Case .....	1,000 VRMS
Across Open Contacts .....	1,250 VRMS
80,000 Feet:	
All Points .....	350 VRMS

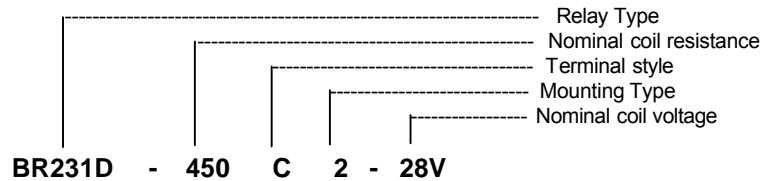
### MIL-PRF-83536/18 QUALIFIED to ER level L

#### Notes

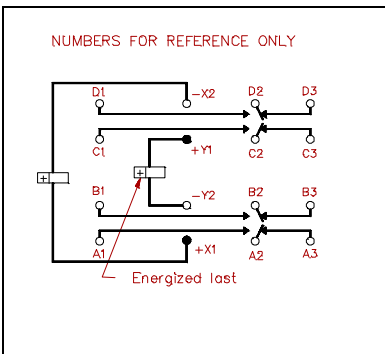
- For other ratings consult the factory.
- For applications requiring higher shock and vibration, consult the factory.
- AC coil line frequency 50 to 400 Hz.

## COIL DATA

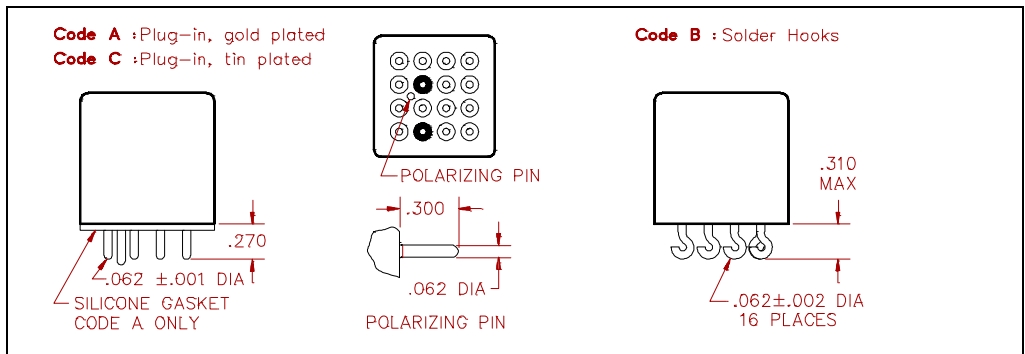
MODEL BR231 PART NUMBER	BR231-28(0)-6V	BR231-112(0)-12V	BR231-450(0)-28V	BR231-1500(0)-48V	BR231AC-(0)-115V (Note 3)
NOMINAL COIL VOLTAGE	6 VDC	12 VDC	28 VDC	48 VDC	115 VAC
MAXIMUM COIL VOLTAGE	8 VDC	15 VDC	29 VDC	59 VDC	122 VAC
LATCH/RESET VOLTAGE (MAX @ +125°C)	4.5 VDC	9 VDC	18 VDC	36 VDC	90 VAC
LATCH/RESET VOLTAGE (MAX)	3 VDC	6 VDC	13 VDC	24 VDC	72 VAC
COIL RESISTANCE ± 10% @ 25°C	28 OHMS	112 OHMS	450 OHMS	1500 OHMS	I = 0.04 AMPS



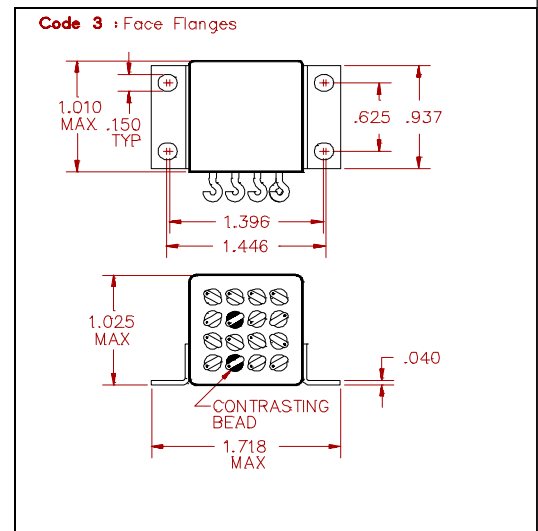
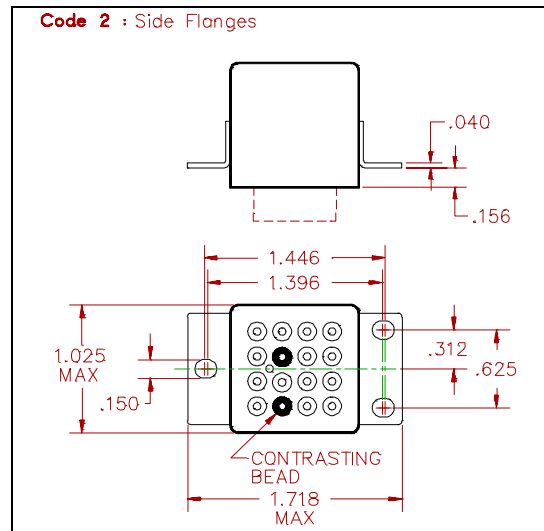
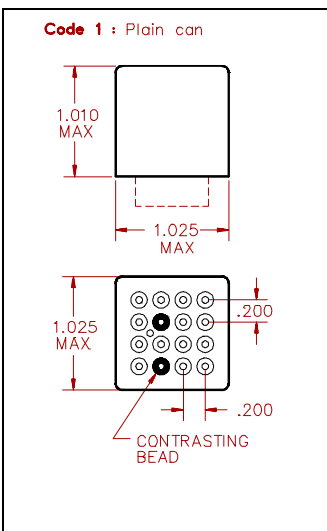
## SCHEMATIC TERMINAL VIEWS



## TERMINAL STYLES



## MOUNTING CODES



## GENERAL NOTES

- Unless otherwise specified, all tests made at nominal coil voltages, @ 25°C.
- For special coil variations, switching configurations, terminal styles and mounting types, consult the factory.
- Unless otherwise specified, tolerances on decimal dimensions are ± .010".
- Specifications contained herein are subject to change without notice.