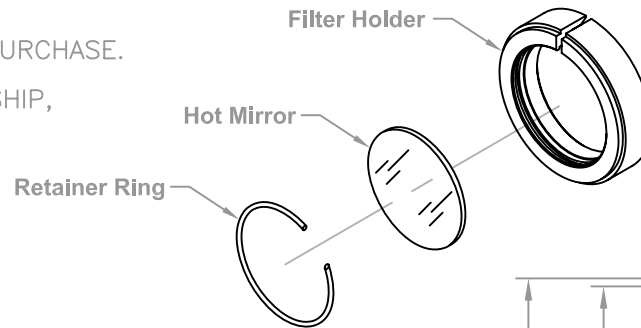


This document contains confidential and proprietary information of Excelitas Technologies. The contents shall not be disclosed, reproduced, duplicated, disseminated or used for purposes other than authorized in writing by Excelitas Technologies.

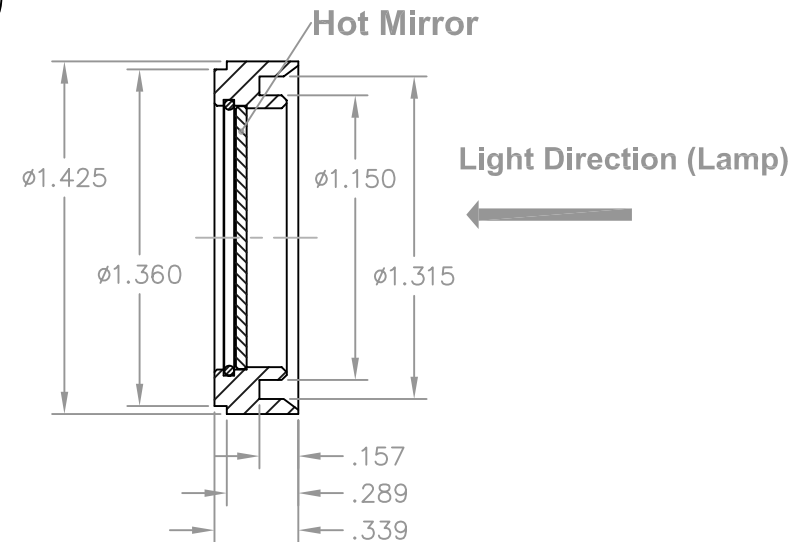
REVISIONS				
ZONE	REV.	DESCRIPTION	DATE	APPROVED
	A	REL/ECN 168128	02/21/06	K.TONG
	B	REV/ECN 171250	02/23/11	H.VUONG
	C	REV/ECN 172037	03/18/11	H.VUONG

NOTES:

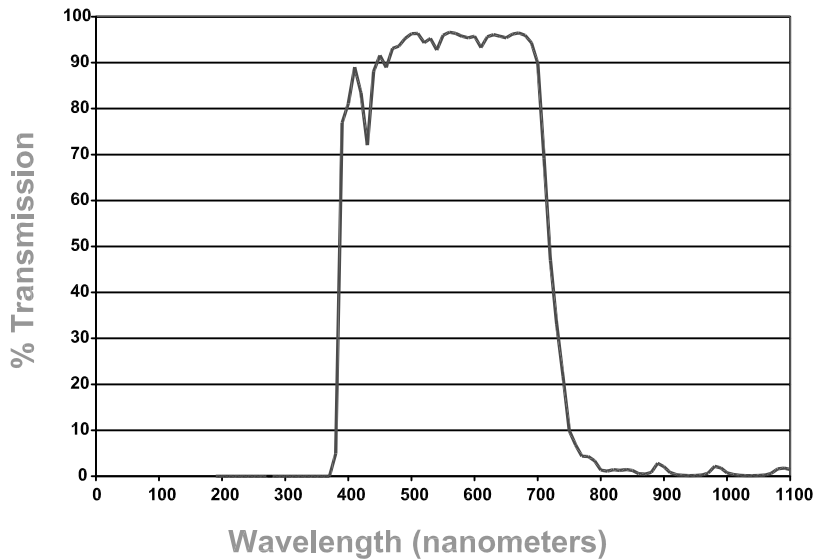
1. INTENDED FOR USE WITH CERMAX LAMPS UP INTO 300 WATTS.
2. WARRANTY: 12 MONTHS FROM DATE OF PURCHASE.
3. WARRANTY COVERS MATERIALS, WORKMANSHIP, AND INITIAL PERFORMANCE.



UNCONTROLLED COPY



NOMINAL TRANSMISSION:



INTERFACE CONTROL DRAWING

UNLESS OTHERWISE SPECIFIED DIMENSIONS ARE IN INCHES TOLERANCES ARE: FRACTIONS ± 1/64 DECIMALS .XX ± .02 XXX ± .005 ANGLES ± 1° SURFACE ROUGHNESS: 125 ✓		CONTRACT NO.		44370 Christy Street Fremont, CA 94538	
APPROVALS		DATE		TITLE HOT MIRROR FILTER ASSEMBLY A2-003	
DRAWN BY K. TONG		03/19/02			
CHECKED					
ENGR. K. TONG		03/19/02			
MATERIAL:		PROJ. ENGR. K. TONG	03/19/02	SIZE B	CAGE CODE 31573
FINISH:		QA		DWG. NO. 227941	REV. C
M & P				SCALE NONE	DO NOT SCALE DRAWING SHEET 1 OF 1