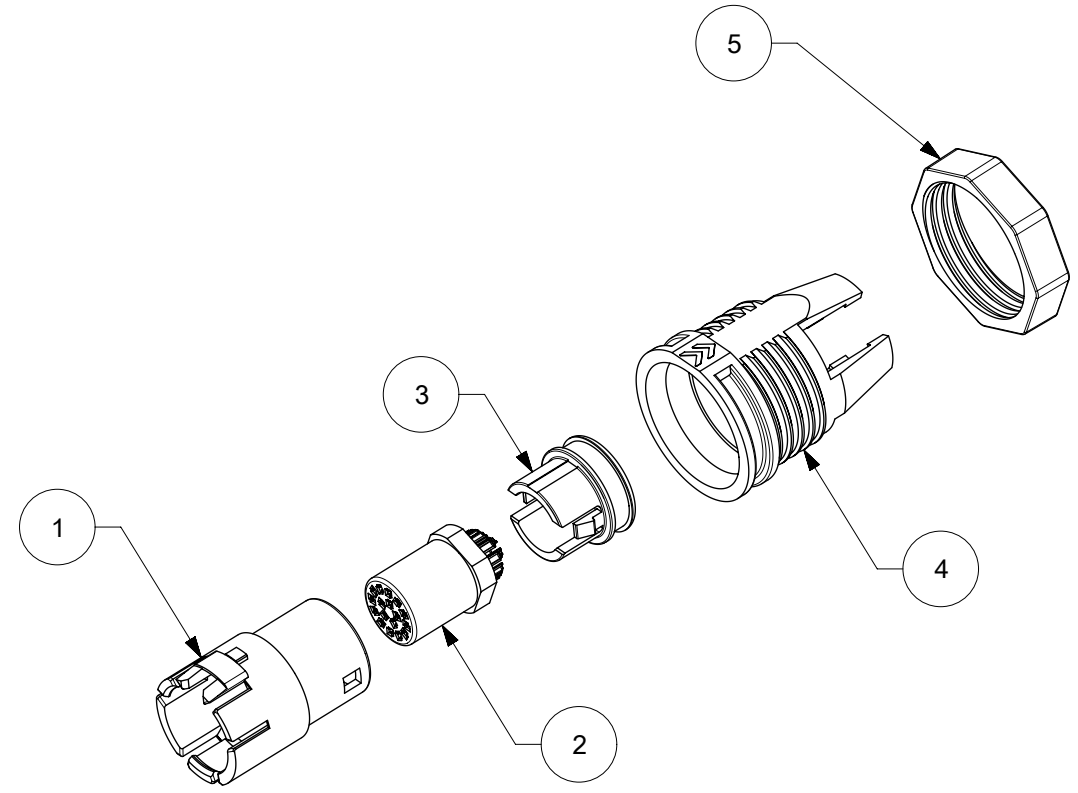
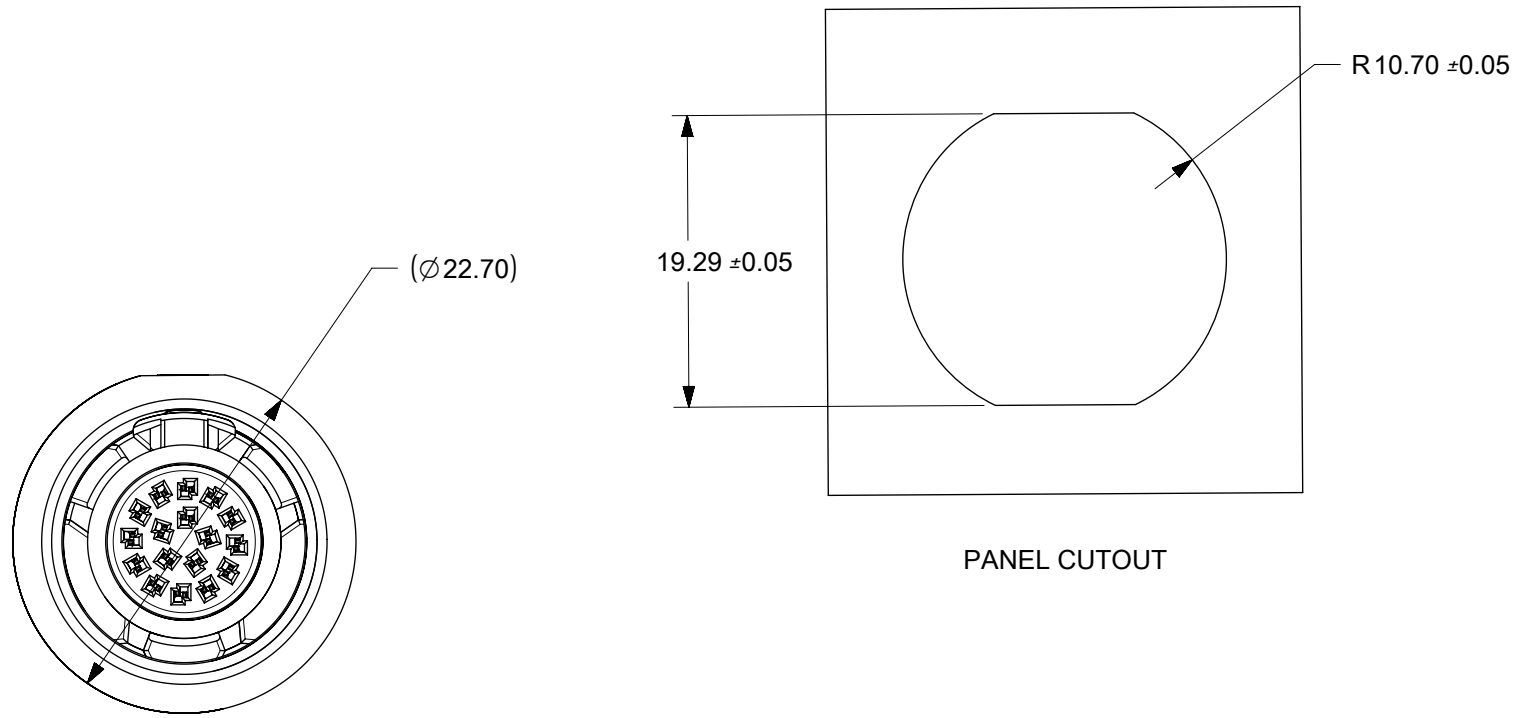


ITEM NUMBER	P/N	DESCRIPTION	QTY	SPQ
1	1723453010	MPC D2 FEMALE PANEL MOUNT HOUSING	1	10
2	1723442000	MPC D2 FEMALE RETAINER 17CKT	1	10
3	1723463000	MPC D2 FEMALE LOCK HOUSING	1	10
4	1723498001	MPC D2 PANEL SNAP HOUSING	1	10
5	1723496000	MPC D2 FEMALE PANEL NUT	1	10



- NOTES:
1. KIT TO BE PACKAGED PER SPEC PK-70873-3344
  2. MATERIAL, MEDICAL GRADE PPSU; COLOR, BLACK  
HIGH PERFORMANCE COPPER ALLOY WITHY GOLD PLATING IN MATING ZONE.
  3. MATES WITH KIT P/N 202112-1710 OR 202113-1710.
  4. FOR ASSEMBLY INFORMATION AND SPEC SEE APPLICATION SPEC AS-202110-0000.
  5. FOR FURTHER PRODUCT INFORMATION SEE PRODUCT SPEC PS-202110-0000

THIS DRAWING CONTAINS INFORMATION THAT IS PROPRIETARY TO MOLEX ELECTRONIC TECHNOLOGIES, LLC AND SHOULD NOT BE USED WITHOUT WRITTEN PERMISSION

EC NO: 114244 DRWN: JJONIAK CHKD: APPR: BPISZCZOR	2017/03/07 2017/03/14	GENERAL TOLERANCES (UNLESS SPECIFIED) ANGULAR TOL ± °	DIMENSION UNITS: MM SCALE: 2:1			
	4 PLACES ± 3 PLACES ± 2 PLACES ± 1 PLACE ± 0 PLACES ±	DRWN BY: JJONIAK DATE: 2017/03/07	CHKD BY: DATE:			
	DRAFT WHERE APPLICABLE MUST REMAIN WITHIN DIMENSIONS	APPR BY: BPISZCZOR DATE: 2017/03/14	DRAWING SIZE: B THIRD ANGLE PROJECTION	PRODUCT CUSTOMER DRAWING		
	A	REV	B	SERIES: 202110 MATERIAL NUMBER: 2021101710 CUSTOMER: GENERAL MARKET	DOCUMENT NUMBER: 2021101710-SD DOC TYPE: PSD DOC PART: 000 SHEET NUMBER: 1 OF 1	