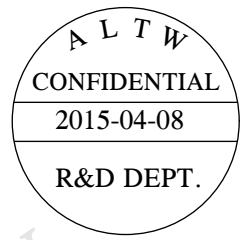
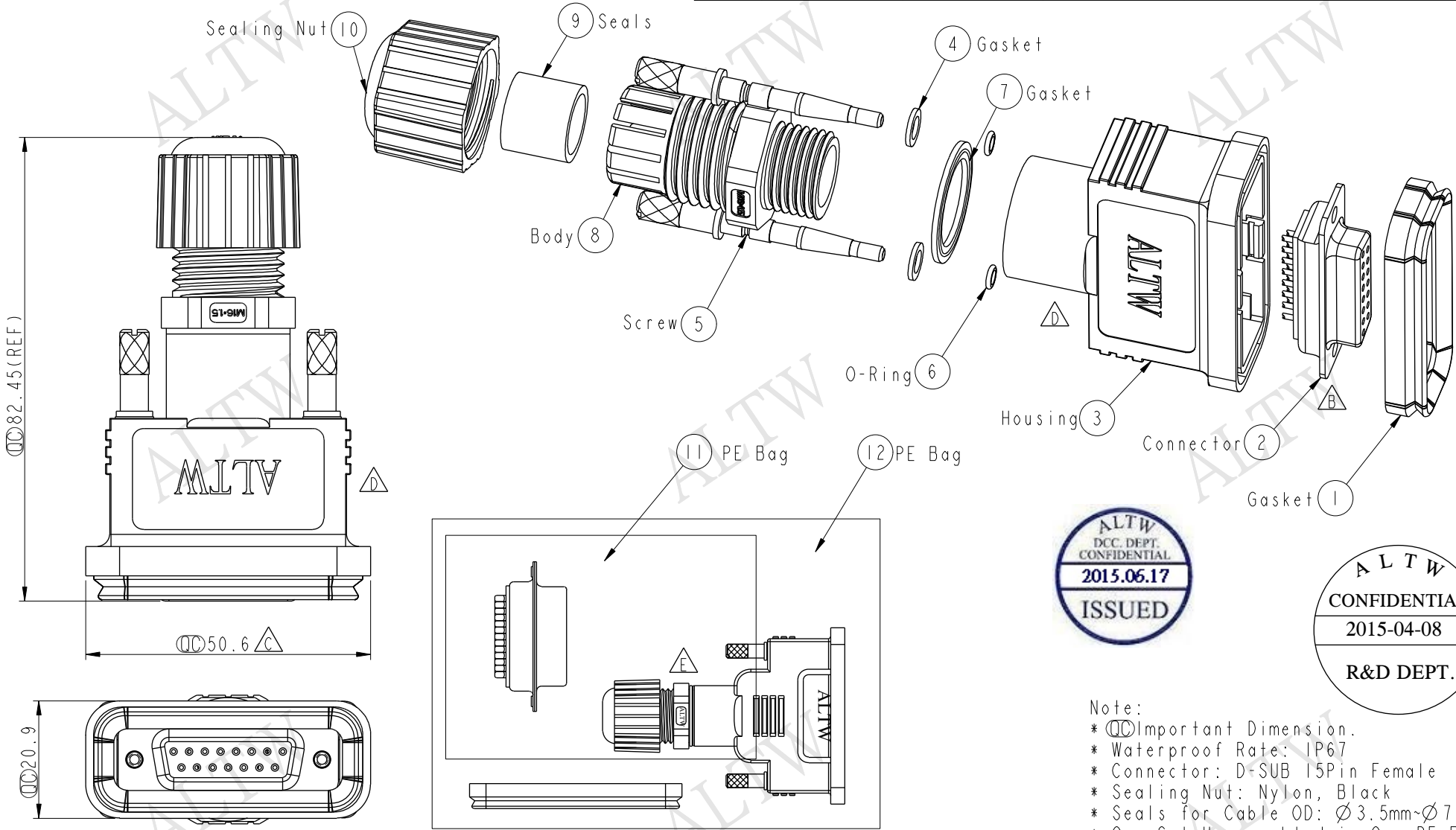


REV.	ECN NO.	DATE	SIGN	DESCRIPTION
C	LEN1390066	2013/08/26	Tony_leng	Change 50.58 To 50.6
D	LEN1520155	2015/01/27	Ruru	Change Logo
E	LEN1560198	2015/04/08	Ruru	Change Logo



Note:
 * \varnothing Important Dimension.
 * Waterproof Rate: IP67
 * Connector: D-SUB 15Pin Female
 * Sealing Nut: Nylon, Black
 * Seals for Cable OD: \varnothing 3.5mm~ \varnothing 7.0mm
 * One Set Unassembled in One PE Bag

UNIT:mm TOLERANCE ± 0.5 mm	TITLE D-SUB Conn Assy Screw DB15P F Conn F Pin			Amphenol LTW 安費諾亮泰企業股份有限公司	ITEM NO SDB-15BFFA-SL7001	DRAWN BY Ruru	DATE 2015-04-08
	SCALE 1:1	SIZE A4	SHEET 1 OF 1		DWG NO SDB-15BFFA-SL7001	CHECKED BY Rita	DATE 2015-04-08
	REV. E	WC-REV. A.4	\varnothing : Inspection item		CUSTOMER ALTW	APPROVED BY Lion	DATE 2015-04-08

THIS DOCUMENT IS SUBJECT TO CHANGE WITHOUT NOTICE. IT IS CONFIDENTIAL AND A PROPERTY OF Amphenol LTW. DISCLOSURE TO THIRD PARTY HAS TO BE AUTHORIZED BY Amphenol LTW.