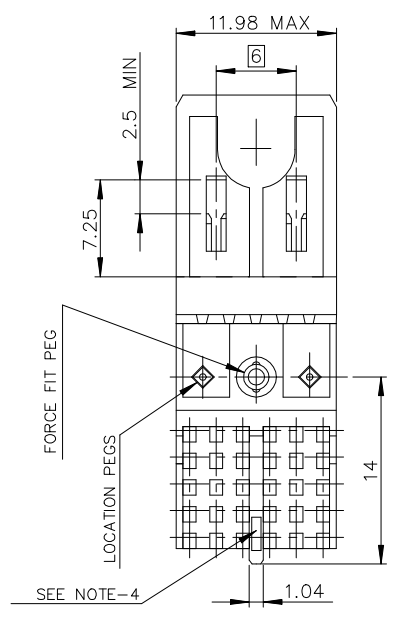
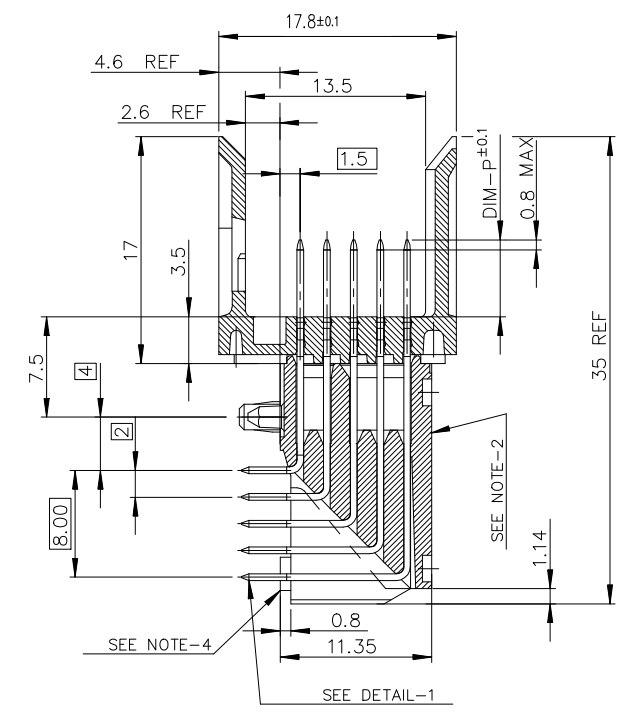


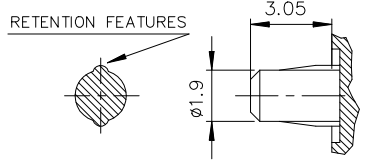
AFCI CONFIDENTIAL

Amphenol  
FCI

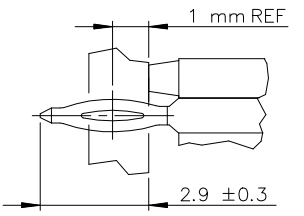
This document is the property of and embodies CONFIDENTIAL and PROPRIETARY information of AFCI. No part of the information shown on this document may be used in any way or disclosed to others without the written consent of AFCI.



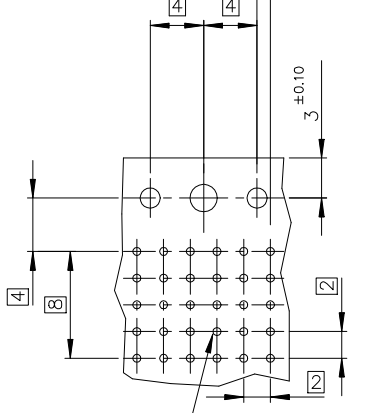
DETAIL OF FORCE-FIT PEGS



DETAIL-1: PRESS-FIT PIN



LAYOUT FOR P.C.B  
(PER 12mm LENGTH)



Hole according to product spec  
GS-12-445 (for press-fit) .  
GS-12-446 (for STB)

TABLE 1  
LEAD-FREE PART NUMBER

Part Number: HM1L51xDP000H6PLF

MATING LENGTH DIM-P / REPLACE 'x' BY:

|     | ROW-A       | ROW-B | ROW-C | ROW-D | ROW-E |
|-----|-------------|-------|-------|-------|-------|
| A = | 5.00        | 5.00  | 5.00  | 5.00  | 5.00  |
| L = | 5.75        | 5.75  | 5.75  | 5.75  | 5.75  |
| D = | 6.50        | 6.50  | 6.50  | 6.50  | 6.50  |
| B = | 6.50        | 5.00  | 5.00  | 5.00  | 5.00  |
| C = | 6.50        | 5.75  | 5.75  | 6.50  | 5.75  |
| N = | 8.00        | 8.00  | 8.00  | 8.00  | 8.00  |
| E = | 5.00        | 5.00  | 5.75  | 5.00  | 5.00  |
| J = | SEE TABLE 2 |       |       |       |       |

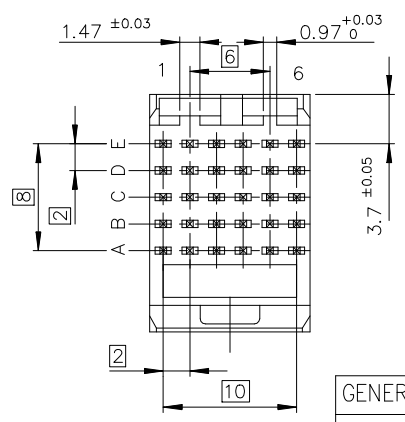
STD

TABLE 2

Part Number: HM1L51JDP601H6PLF

MATING LENGTH DIM-P / REPLACE 'J' BY:

|       | COLUMN-1 | COLUMN-2 | COLUMN-3 | COLUMN-4 | COLUMN-5 | COLUMN-6 |
|-------|----------|----------|----------|----------|----------|----------|
| ROW-E | 5.00     | 5.00     | 5.00     | 5.00     | 8.00     | 5.00     |
| ROW-D | 5.00     | 5.00     | 5.00     | 5.00     | 8.00     | 5.00     |
| ROW-C | 5.00     | 5.00     | 5.00     | 5.00     | 8.00     | 5.00     |
| ROW-B | 5.00     | 5.00     | 5.00     | 5.00     | 8.00     | 5.00     |
| ROW-A | 5.00     | 5.00     | 5.00     | 5.00     | 8.00     | 5.00     |



- NOTE-2: FLAT ROCK INSERTION TOOLING, ON ALL THIS SURFACE
  - NOTE-3: EYE OF THE NEEDLE PRESS FIT PIN TYPE
  - NOTE-4: REAR CENTRAL SUPPORT FOR BETTER ASSY ON PCB
  - NOTE-5: IF SUFFIX "P" IS ADDED IN P/N PACKAGING IS IN TRAYS BUT CONNECTOR MARKING IS WITHOUT "P"
- EXAMPLE: HM1XXXXXXXXX6P, MARKED HM1XXXXXXXXX6

GENERAL CHARACTERISTICS AND ROHS INFORMATIONS:  
SEE PRODUCT SPECIFICATION GS-12-445

|             |             |                               |            |                                       |             |                           |     |
|-------------|-------------|-------------------------------|------------|---------------------------------------|-------------|---------------------------|-----|
| mat'l. code |             | surface 58 / tolerance        |            | projection                            |             | product family            |     |
| -           |             | ISO 1302 ✓ / ISO 406 ISO 1101 |            |                                       |             | METRAL                    |     |
| ltr         | ecn no      | dr                            | date       | tolerances unless otherwise specified |             | title                     |     |
| D           | -           | CHA                           | 2000/08/24 | angles                                | .x±0.1      | METRAL RA HEADER 5 ROW    |     |
| E           | LS05-004    | MLE                           | 2005-02-17 | linear                                | .xx±0.1     | STANDARD PRESS-FIT 30 WAY |     |
| F           | LS06-0095   | LGO                           | 2006-07-10 | 0.xx'±2                               | .xxx±0.1    | scale                     | 2.5 |
| G           | LS07-0184   | MLE                           | 2007-07-24 | dr                                    | ETIEMBRE    | 1996-06-28                |     |
| H           | DC10-0231   | Cenh                          | 2010-06-18 | enr                                   | LENOIR      | 1997-01-23                |     |
| J           | ELX-I-27568 | SAL                           | 2017-07-27 | chr                                   | S ALOSUIS   | 2017-07-27                |     |
|             |             |                               |            | appd                                  | BlJU K PAUL | 2017-07-27                |     |
| sheet index | revision    | J                             |            |                                       |             |                           |     |
|             | sheet       | 1                             |            |                                       |             |                           |     |

Amphenol FCI

dwg no C-8626-0235 sheet 1 of 1 size A3

type Customer Drawing