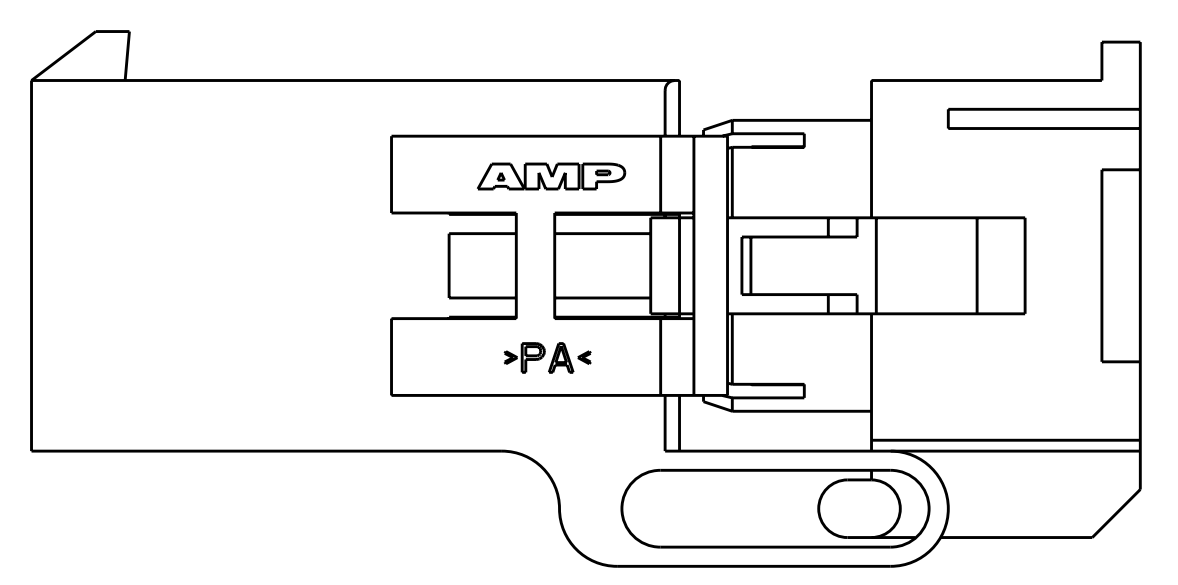
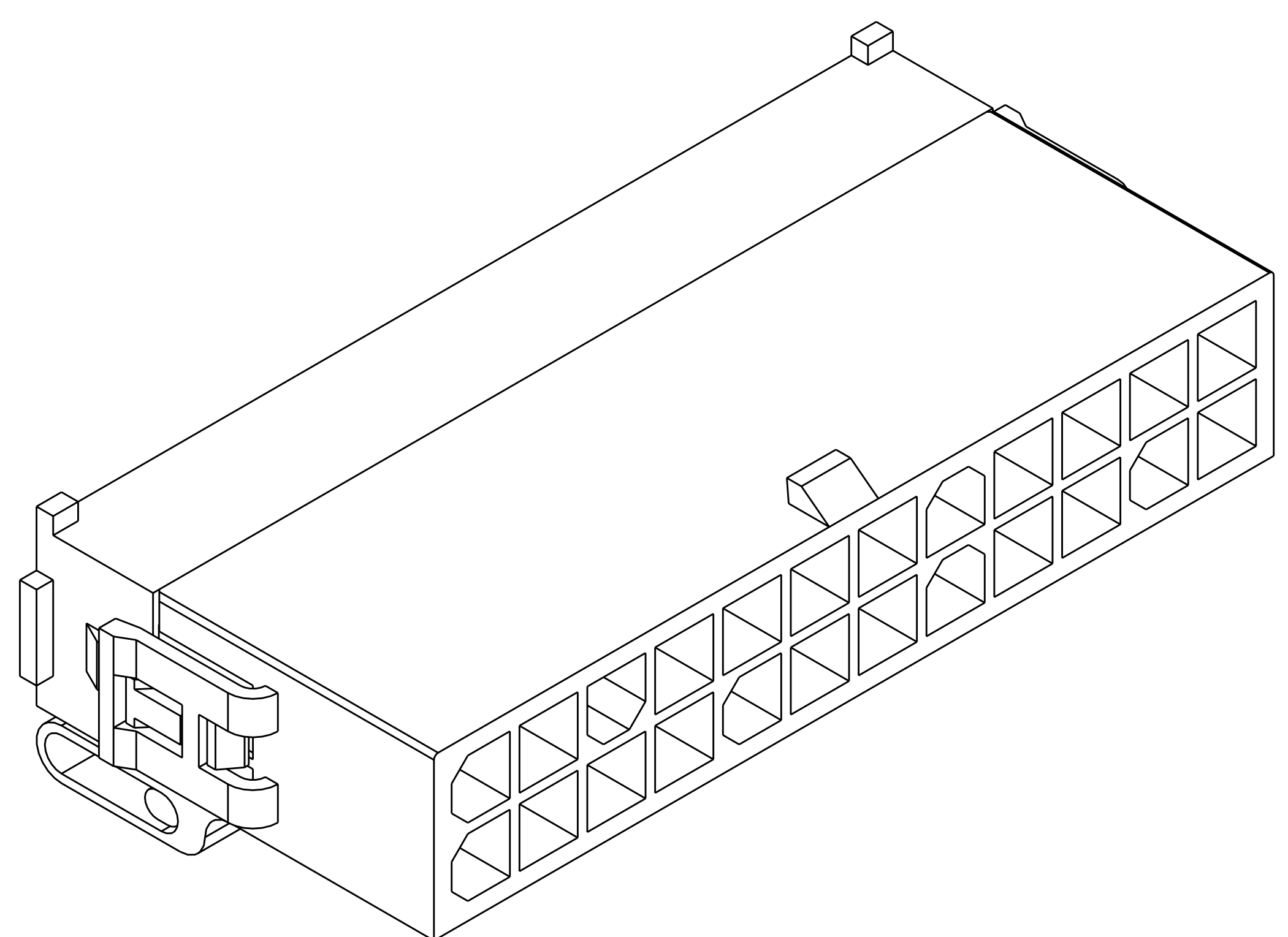
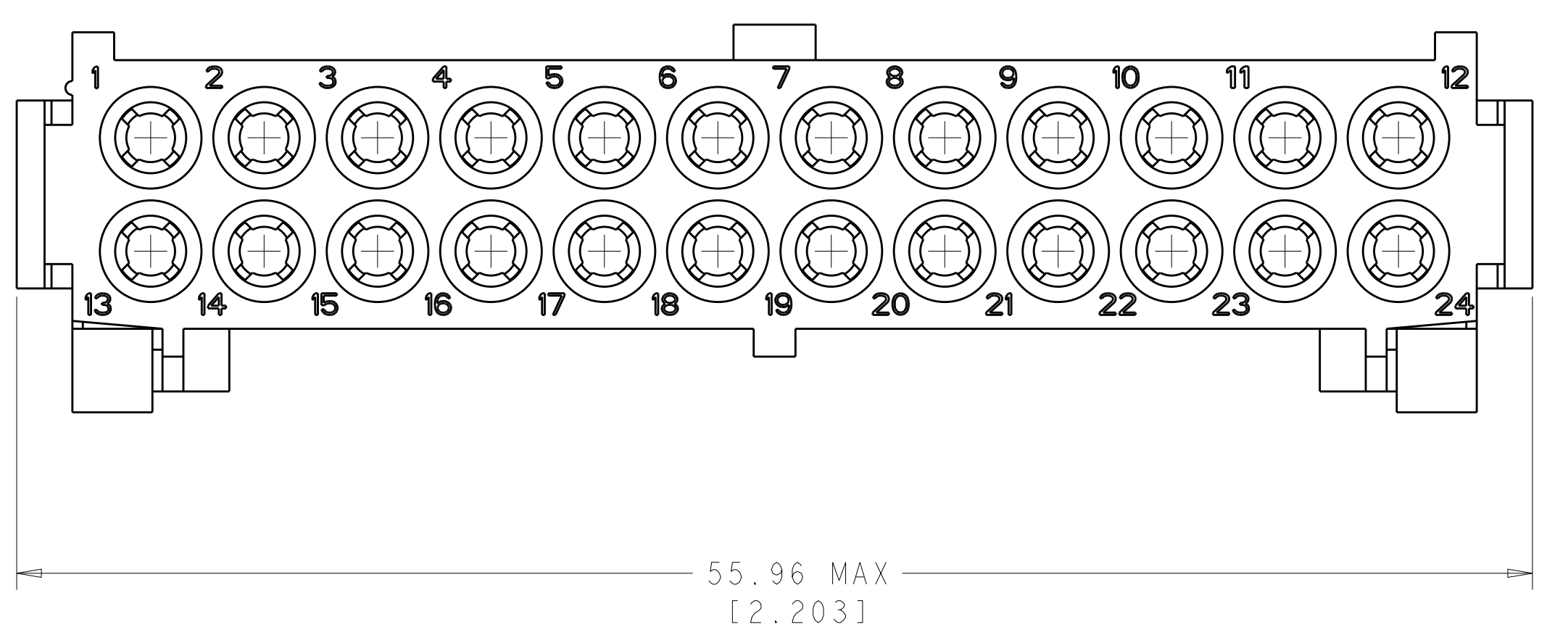
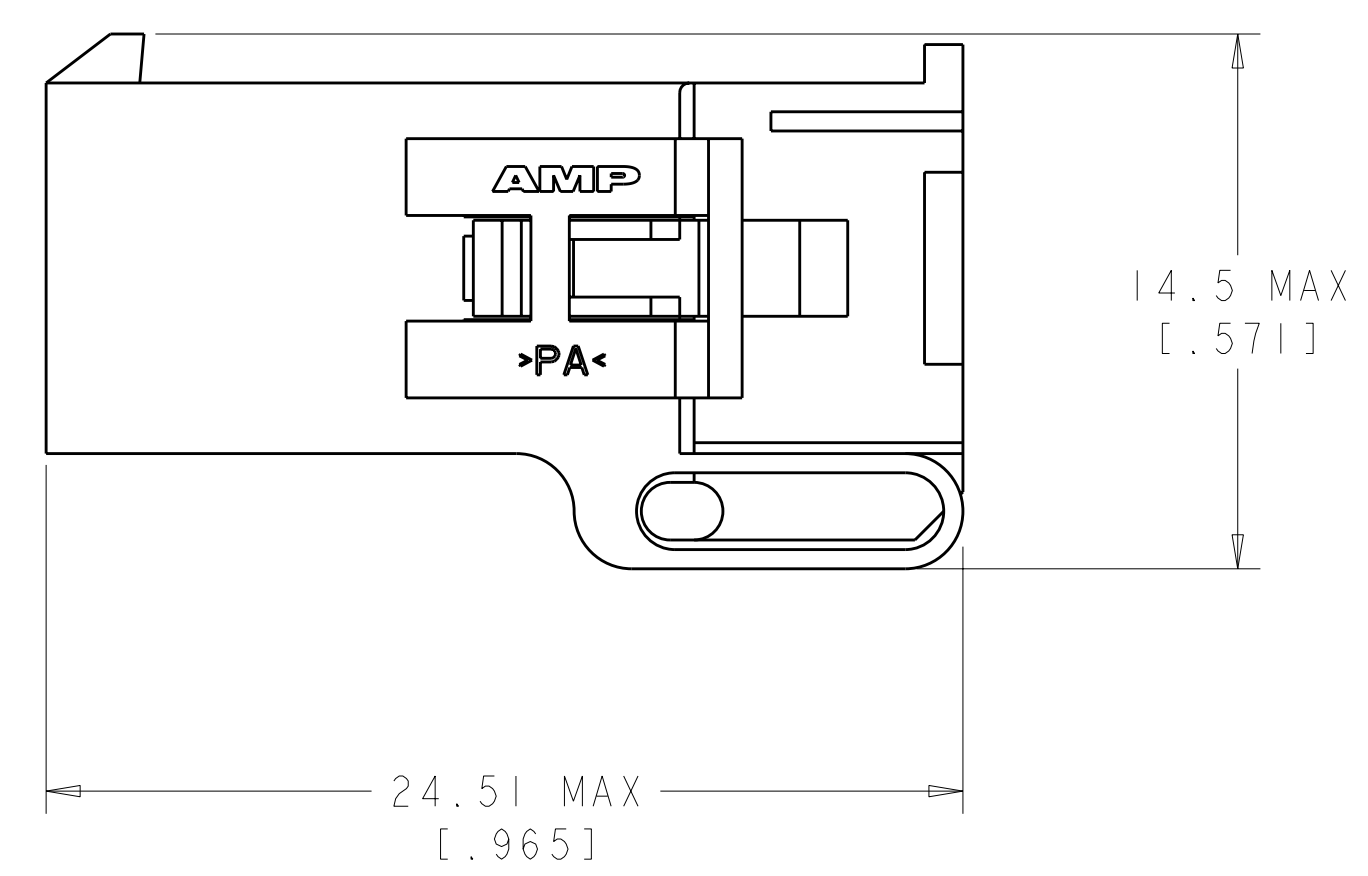
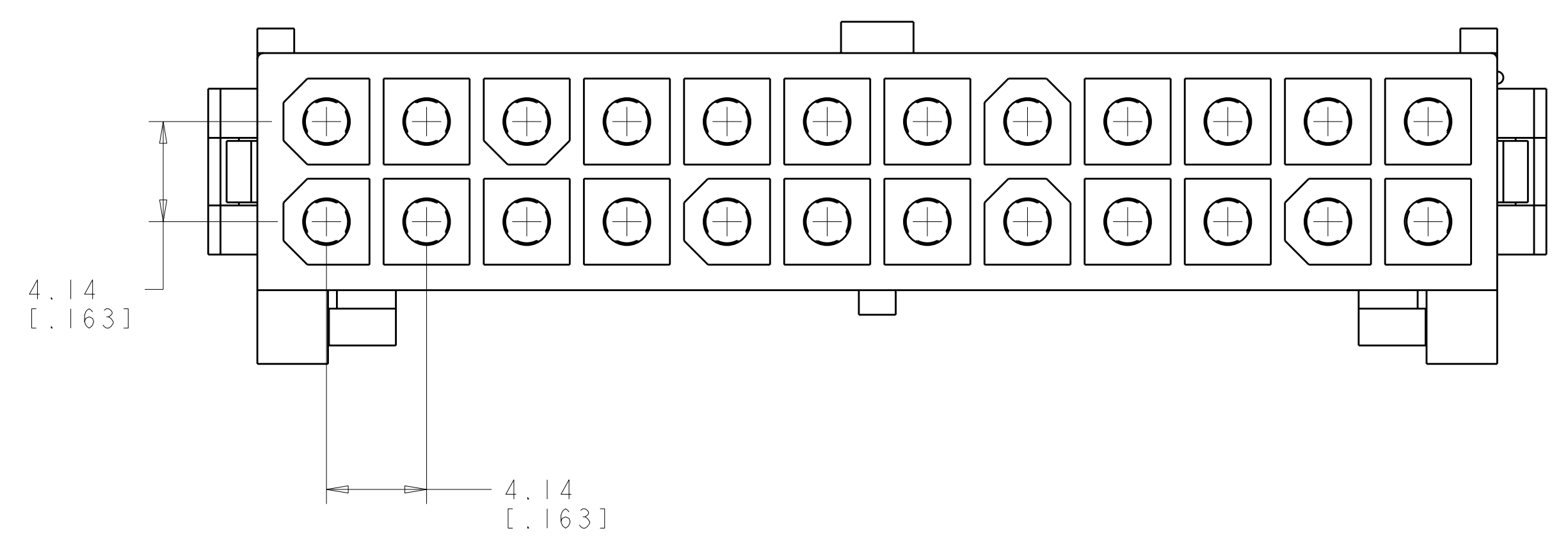


LOC	DIST	REV	DESCRIPTION	DATE	DWN	APVD
CM	00	C1	ECO-07-016419	03AUG2007	KW	CJ



PRE-STAGED CONDITION



0.432 IN ³	794215-1
VOLUME	PART NUMBER

<small>THIS DRAWING IS UNPUBLISHED. RELEASED FOR PUBLICATION. ALL RIGHTS RESERVED. THIS IS SUBJECT TO CHANGE WITHOUT NOTICE AND WITHOUT OBLIGATION. SHOULD BE CONTACTED FOR THE LATEST REVISION.</small>		DWN: R. WHITAKER 01AUG2007 CHK: C. JONES 01AUG2007 APVD: C. JONES 01AUG2007	Tyco Electronics Harrisburg, PA 17105-3608
DIMENSIONS: mm [INCHES]	TOLERANCES UNLESS OTHERWISE SPECIFIED: 9 PLG ± 8 PLG ±0.13 (1.005) 5 PLG ± 4 PLG ± ANGLES ±40° 30'	NAME: CAP. PRODUCT SPEC: DUAL ROW, 24 CIRCUIT, APPLICATION SPEC: MINI UNIVERSAL MATE-N-LOK(TM) 2	SIZE: A CAGE CODE: 100779 DRAWING NO: C-794215 RESTRICTED TO:
MATERIAL: NYLON UL 94V-0, NATURAL	FINISH:	WEIGHT:	CUSTOMER DRAWING SCALE: 5:1 SHEET 1 OF 1 REV: C1

