



PRODUCT DATASHEET

Mirella series

last update 2/11/2016

DETAILS

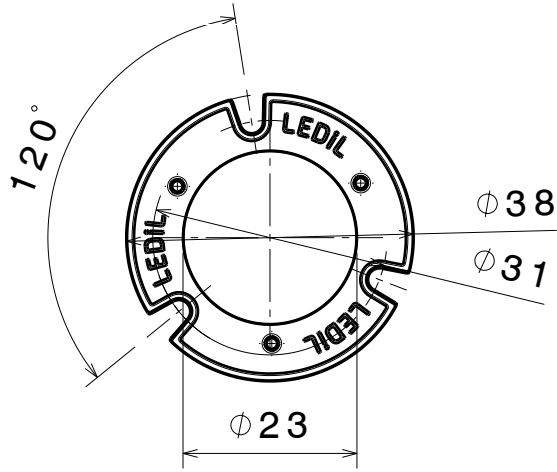
Product Number	CN13774_MIRELLA-50-M-PF-RZL
Family	Mirella
Type	RefPack
Color	metal
Diameter	49,9 mm
Height	25,8 mm
Style	round
Optic Material	PC
Holder Material	
Fastening	screw, socket
Status	production ready
ROHS Compliant	Yes
Date Updated	2/11/2016



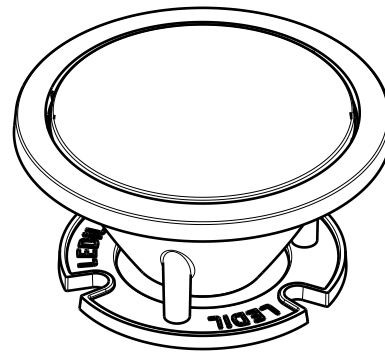
OPTICAL PROPERTIES

LED	Viewing Angle	Light Beam	Efficiency	cd/lm	Connector
CXA/B 15xx	38 deg	Medium	81 %	1.500	-

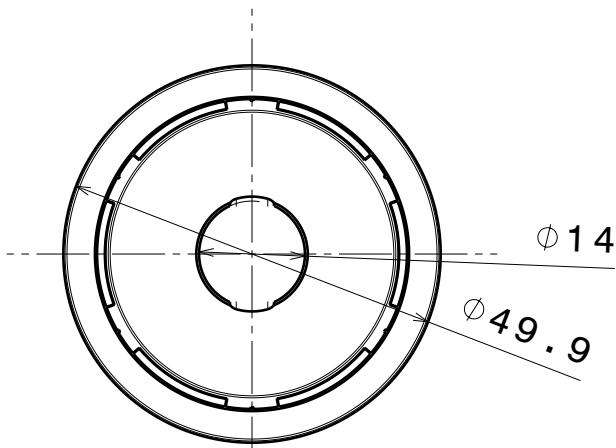
NOTE: It is recommended to use glue like DELO-PUR 9895 for pin fastening.
[http://www.delo.de/fileadmin/datasheet/DELO-PUR_9895_\(TIDB-GB\).pdf](http://www.delo.de/fileadmin/datasheet/DELO-PUR_9895_(TIDB-GB).pdf)



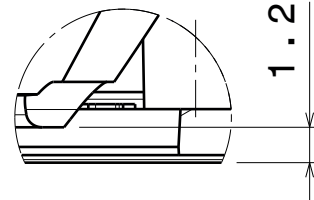
Front view



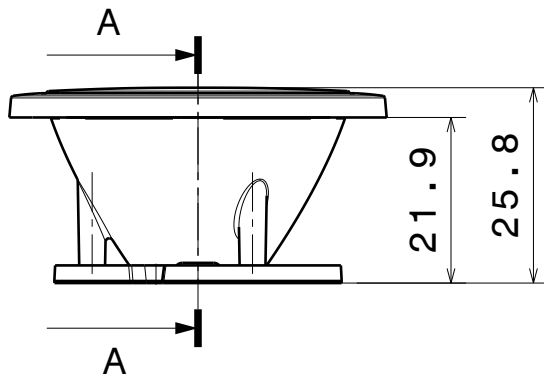
Isometric view



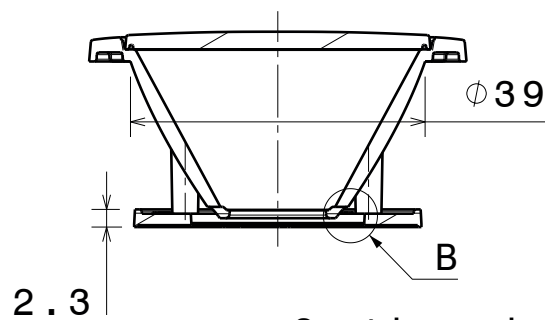
Top view



Detail B



Front view



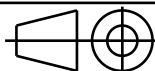
Section view A-A

Tolerances if not otherwise shown
 According to DIN ISO 2768-1
 Linear measures:
 Up to 30mm class M, otherwise class C.
 According to DIN ISO 2768-2
 Form and position: class L



Ledil Oy
 Salorankatu 10
 FIN 24240 SALO
 Finland

THIRD ANGLE PROJECTION:



DRAWING TITLE

MIRELLA-PF-RZL-CXA15 Datasheet

This drawing is the property of LEDiL Oy. It may not be reproduced, copied or communicated without a written agreement with LEDiL Oy.

SIZE PART NUMBER

A4

-

SCALE 1:1 WEIGHT

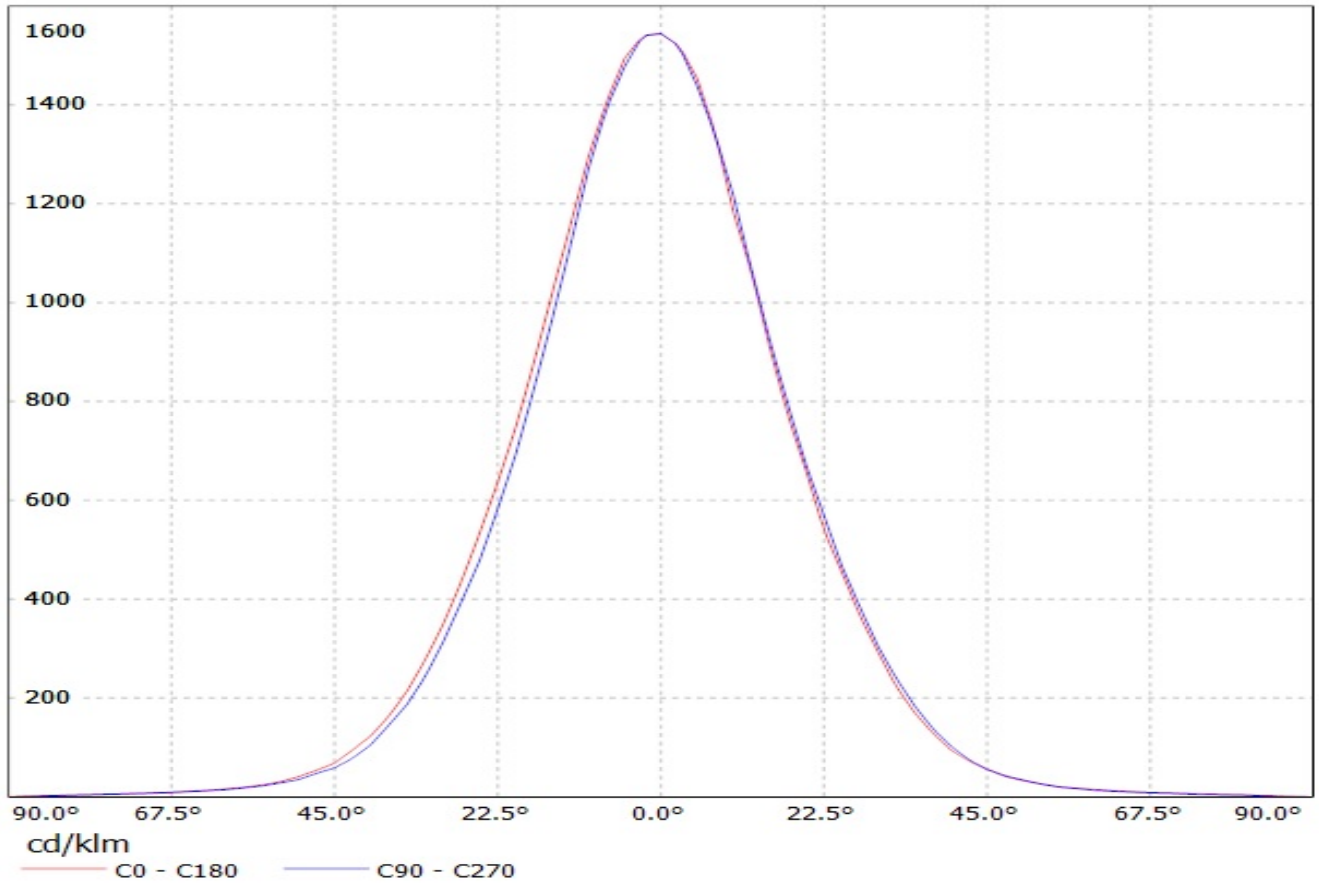
-

SHEET 1/1

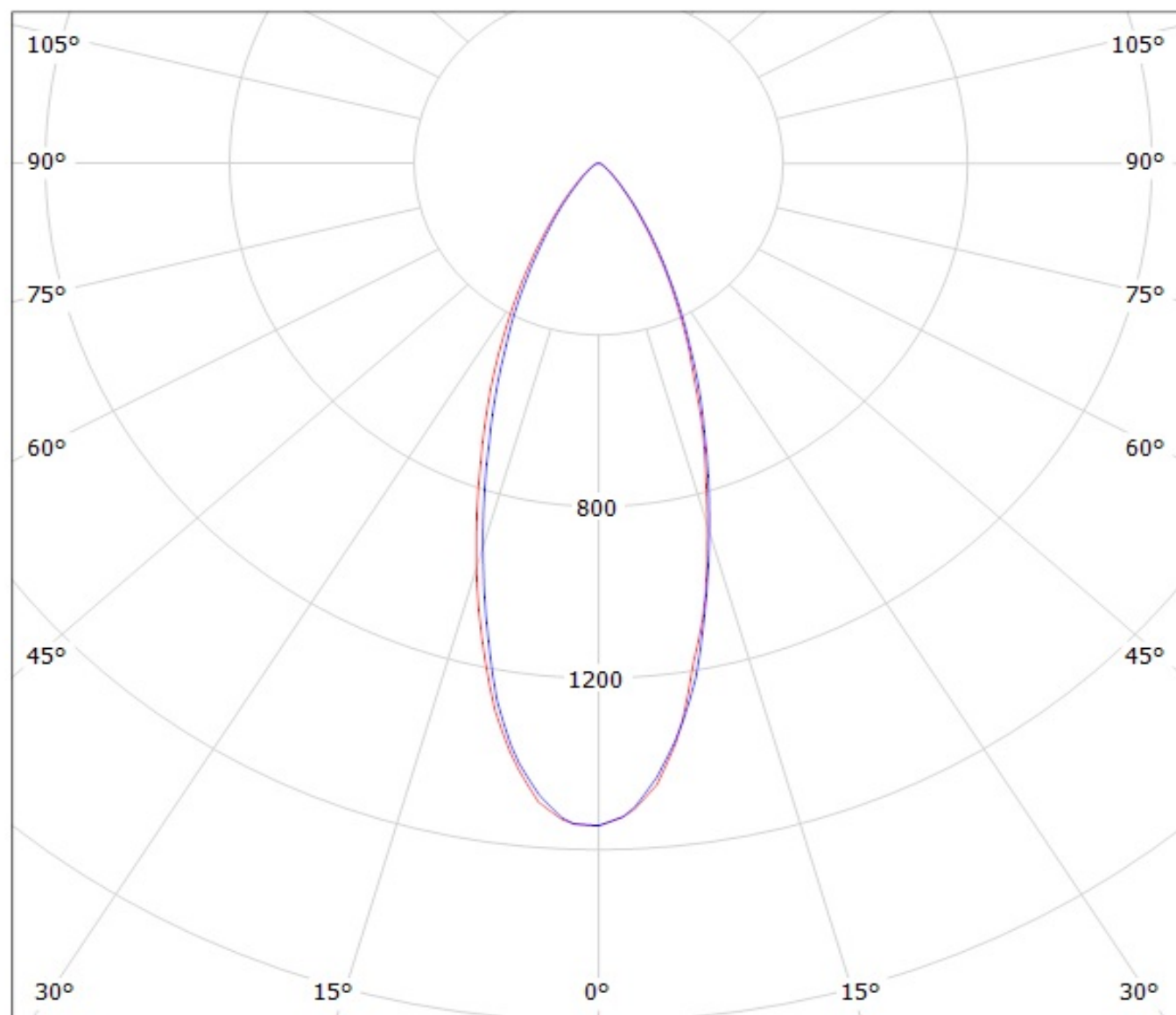
D

A

Luminaire: LEDil Oy CN13774_MIRELLA-50-M-PF-RZL_(CXA15) Efficiency=81%
Lamps: 1 x Cree CXA15 (CXA1507-30F-F4-N0H-00000) 218lm @ 50mA CCT=3100K P=1.7W I=50mA



Luminaire: LEDil Oy CN13774_MIRELLA-50-M-PF-RZL_(CXA15) Efficiency=81%
Lamps: 1 x Cree CXA15 (CXA1507-30F-F4-N0H-00000) 218lm @ 50mA CCT=3100K P=1.7W I=50mA



cd/klm

— C0 - C180

— C90 - C270

NOTE: The typical divergence will be changed by different color, chip size and chip position tolerance. The typical total divergence is the full angle measured where the luminous intensity is half of the peak value.

GENERAL INFORMATION

- Product series especially designed & optimized for series of LEDs.
- Special care taken to make light distribution as uniform as possible.

Note! Due to use of high power COB's with this product, special attention to proper thermal design is highly recommended. LEDiL has no liability for direct, indirect or consecutive damages arising from the LEDiL products being used outside of the recommended temperature range.